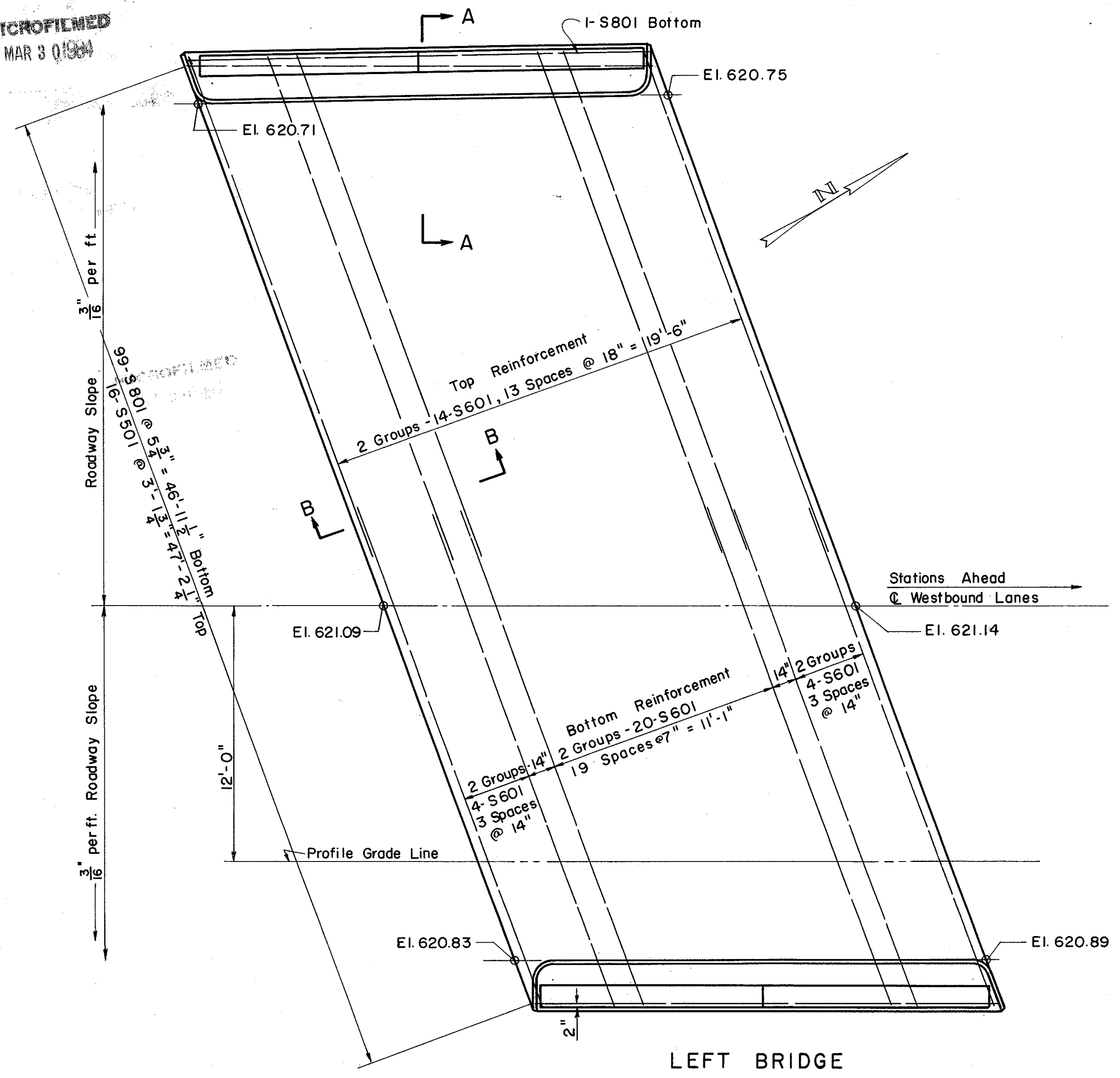


MICROFILMED  
MAR 3 0 1984

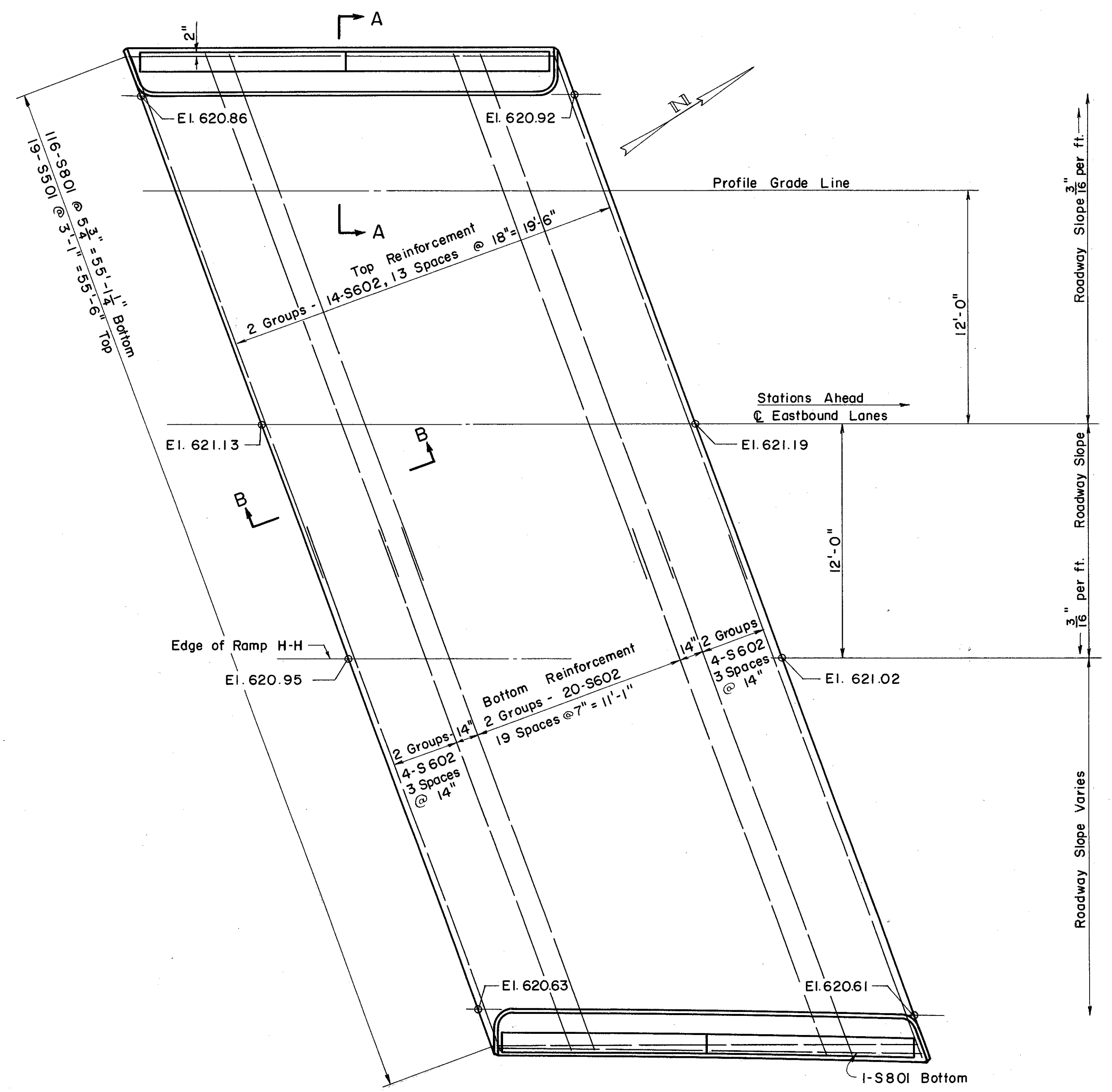
FED. RD. DIVISION	STATE	PROJECT	
2	OHIO		

259  
313

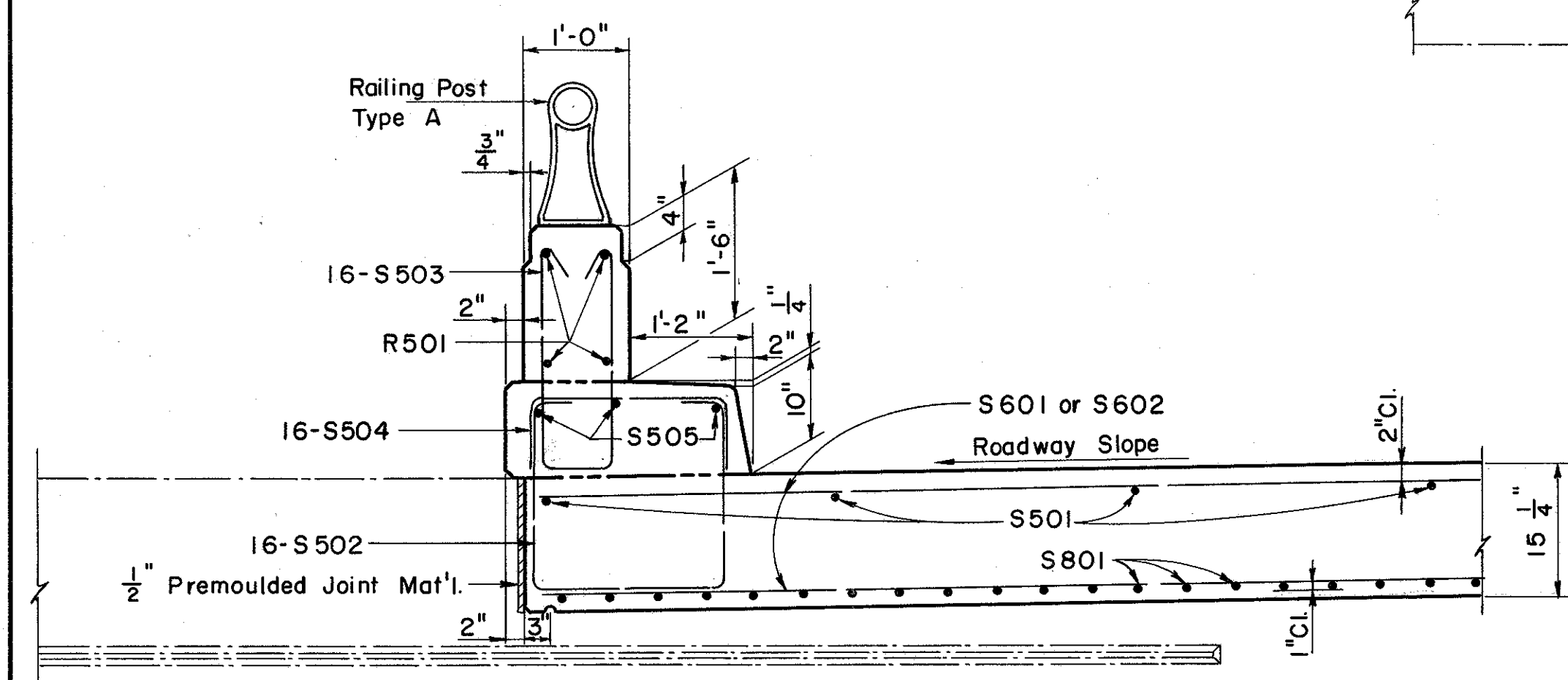
LAKE COUNTY  
LAK-2-16.49



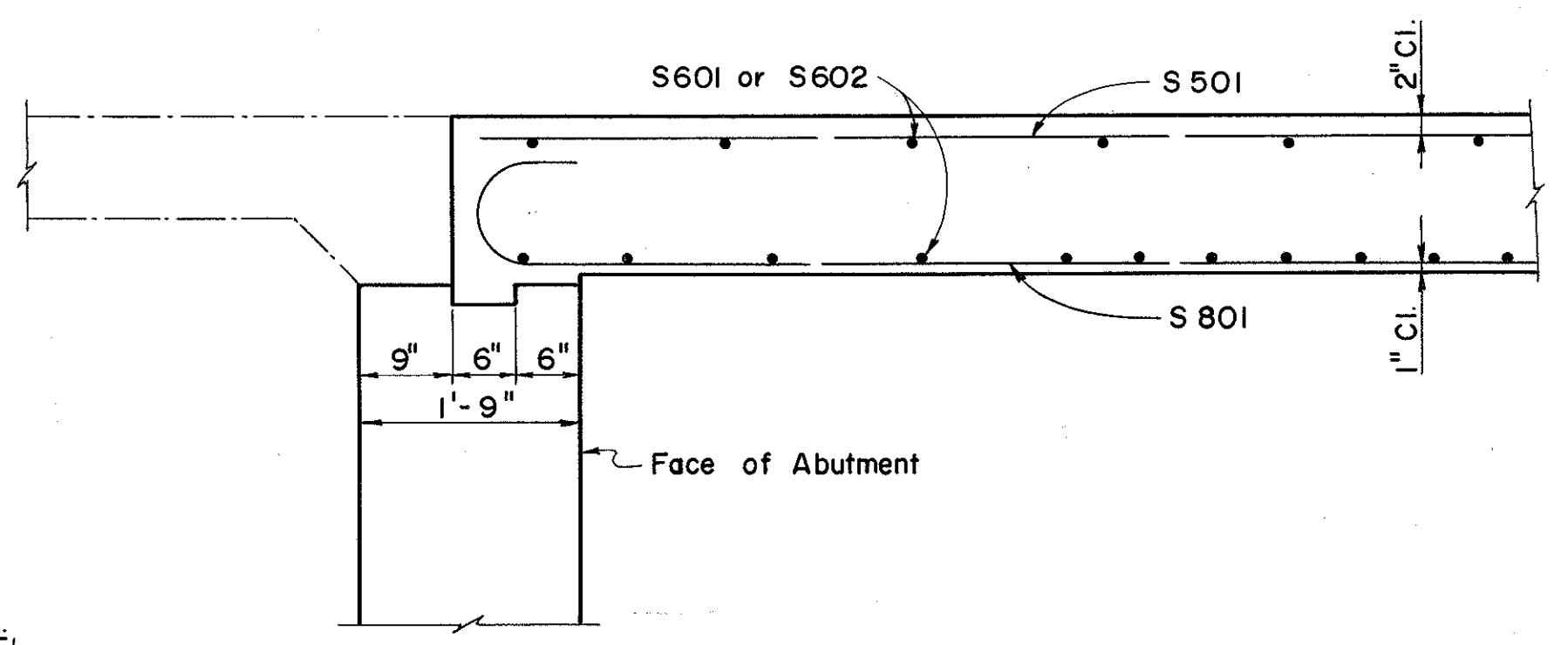
LEFT BRIDGE



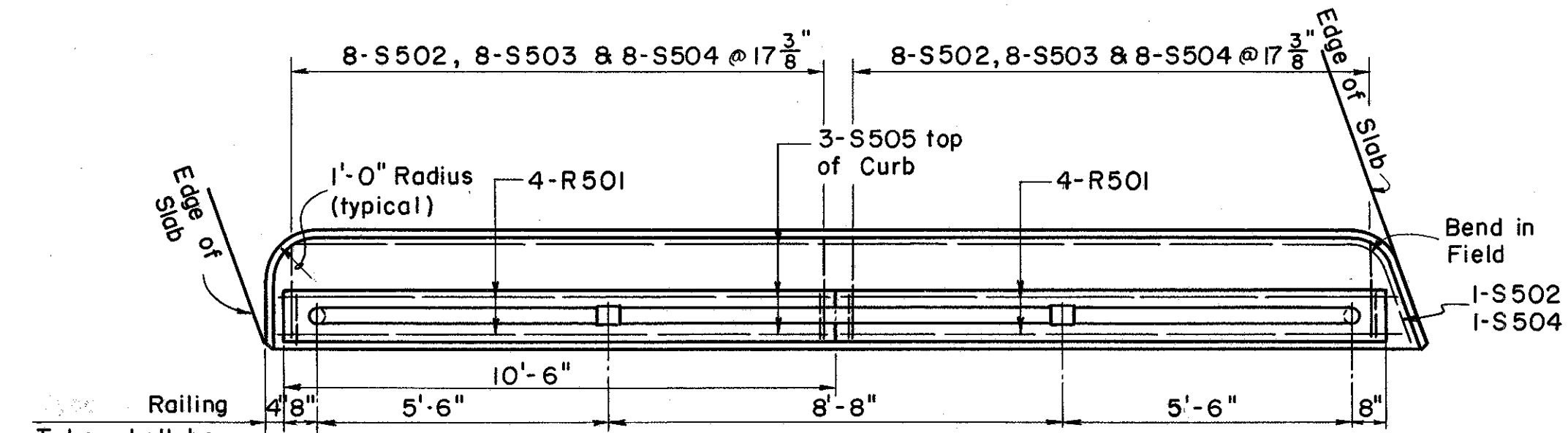
RIGHT BRIDGE



SECTION A-A



SECTION B-B



TYPICAL PLAN OF  
PARAPET & CURB

PREPARED BY CAPITOL ENGINEERING ASSOCIATES, DILLSBURG, PA. FOR					
STATE OF OHIO DEPARTMENT OF HIGHWAYS DIVISION OF DESIGN AND CONSTRUCTION BUREAU OF BRIDGES					
<b>DECK DETAILS</b> BRIDGE NO. LAK-2-1731 L.&R. RELOC. S.R.2 OVER RED CREEK LAKE COUNTY STA. 813 +98.94 STA. 814 +21.06					
DESIGNED G.S.W. M.C.P.	DRAWN R.J.A. M.J.F.	TRACED FWB	CHECKED M.C.P. M.J.F.	REVIEWED DATE G.S.W. M.C.P.	REVISED