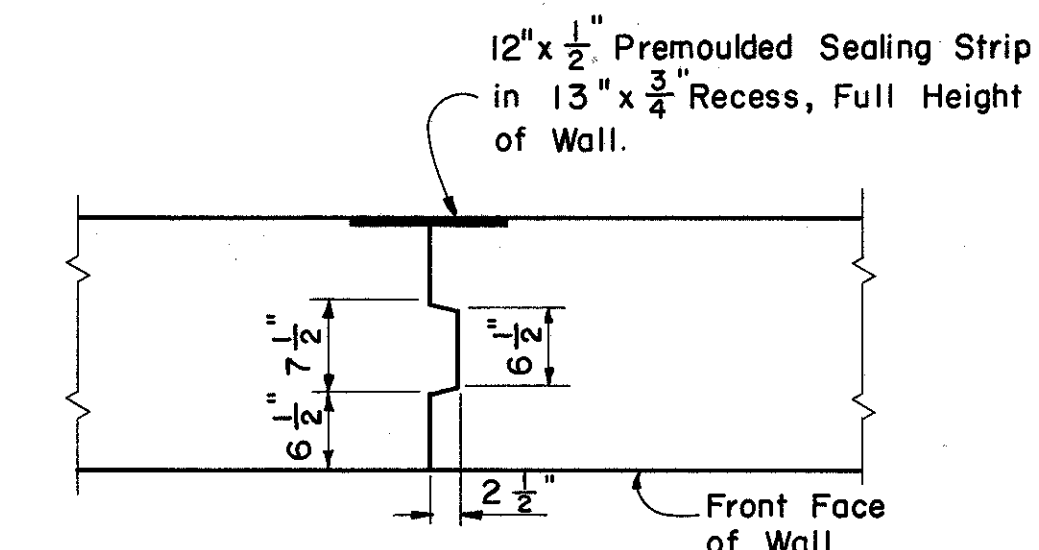
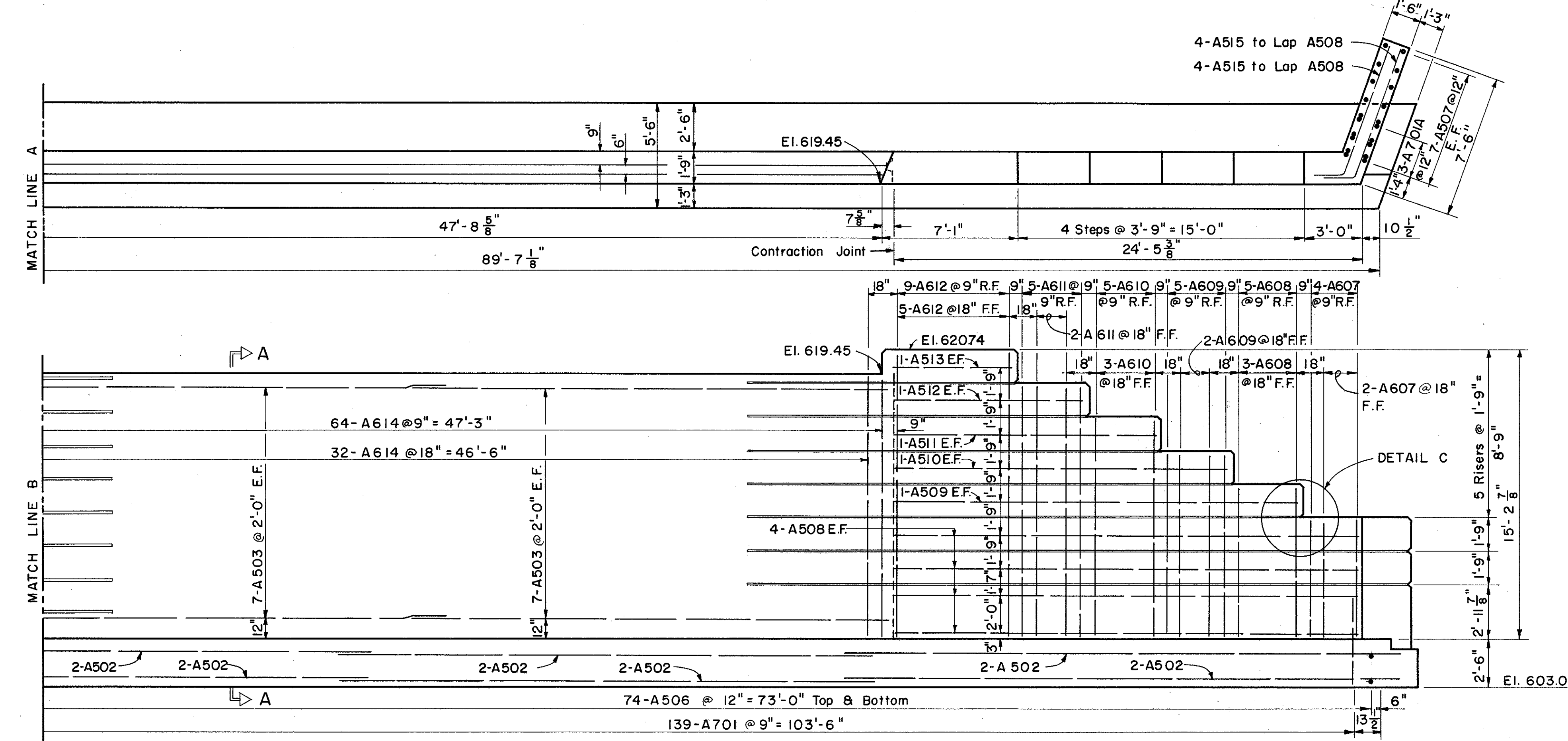
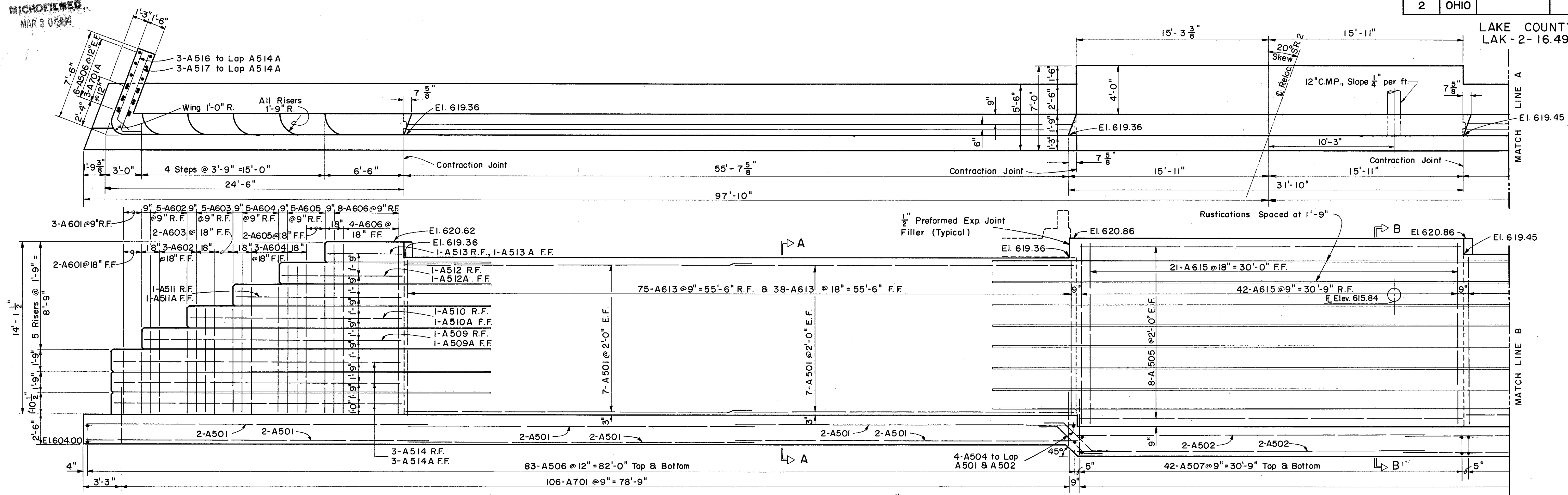


MICROFILMED
MAR 3 01989

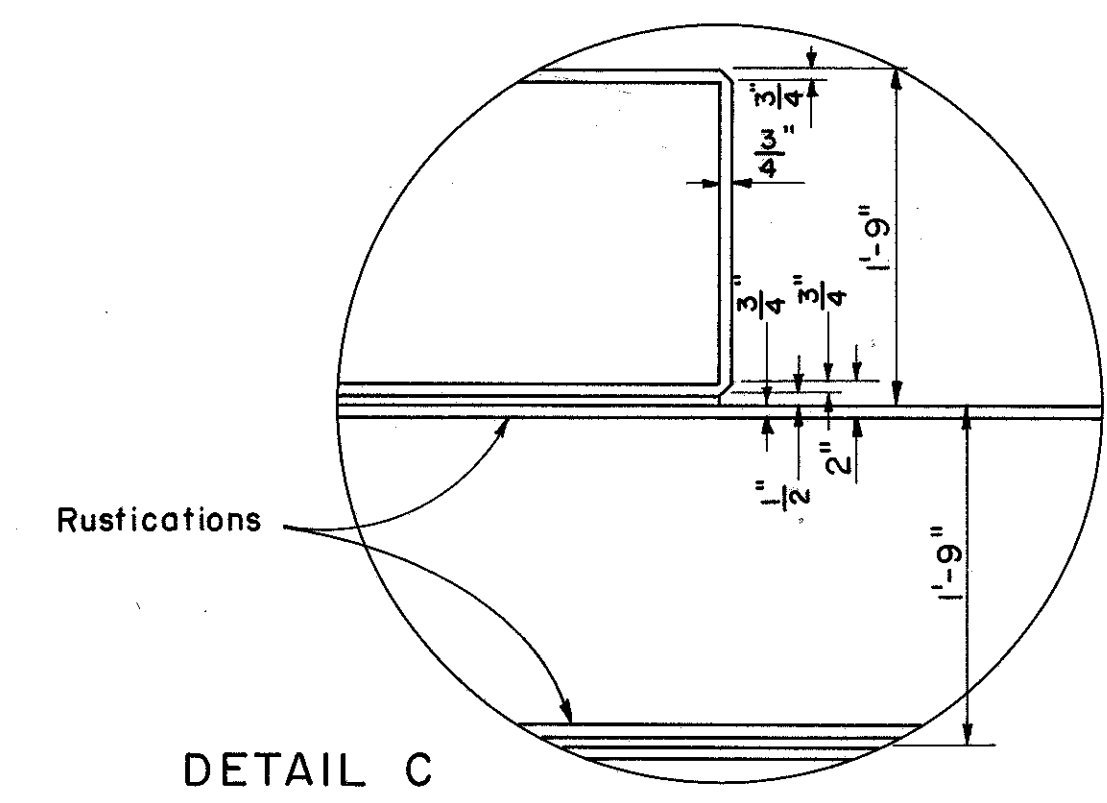
FED. RD. DIVISION	STATE	PROJECT	
2	OHIO		LAKE COUNTY LAK-2-16.49

257
313



TYPICAL SECTION OF CONSTRUCTION JOINT

NOTES:
 RUSTICATIONS shall terminate 7'-0" beyond the contraction joint on exposed faces and a minimum of 2'-0" beneath finished surface on buried faces.
 E.F. = Each Face
 F.F. = Front Face
 R.F. = Rear Face
 ALL REINFORCING STEEL shall have 3" cover in the bottom of footing and 2" elsewhere.
 See Forward Abutment Details for Sections A-A and B-B.



DETAIL C

PREPARED BY CAPITOL ENGINEERING ASSOCIATES, DILLSBURG, PA. FOR					
STATE OF OHIO DEPARTMENT OF HIGHWAYS DIVISION OF DESIGN AND CONSTRUCTION BUREAU OF BRIDGES					
REAR ABUTMENT DETAILS BRIDGE NO. LAK-2-1731 L. & R. RELOC. S.R. 2 OVER RED CREEK LAKE COUNTY STA. 813 + 98.94 STA. 814 + 21.06					
DESIGNED G.S.W. R.J.A.M.C.P.	DRAWN M.J.F.	TRACED E.L.M.	CHECKED M.C.P. M.J.F.	REVIEWED DATE	REVISED