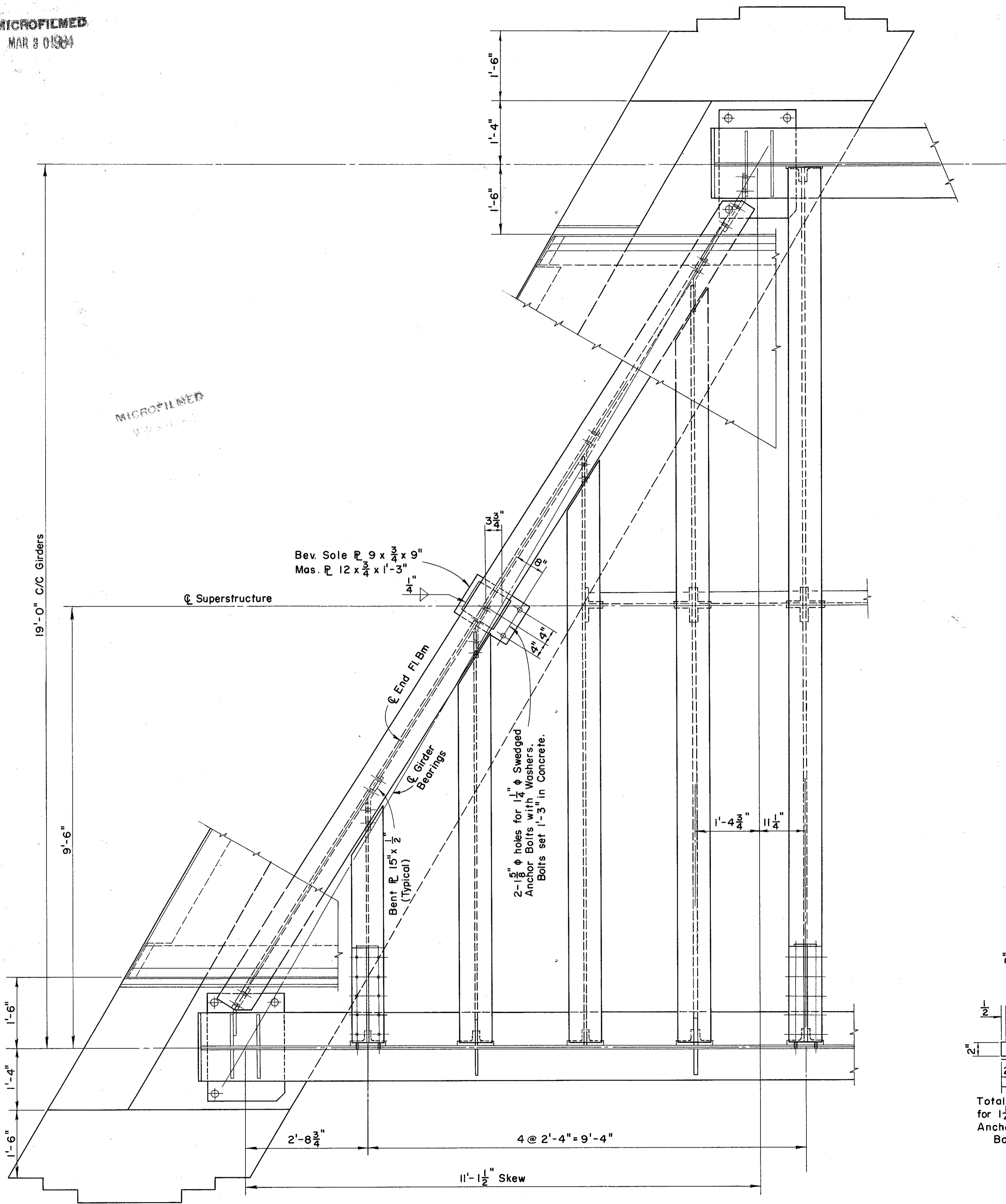
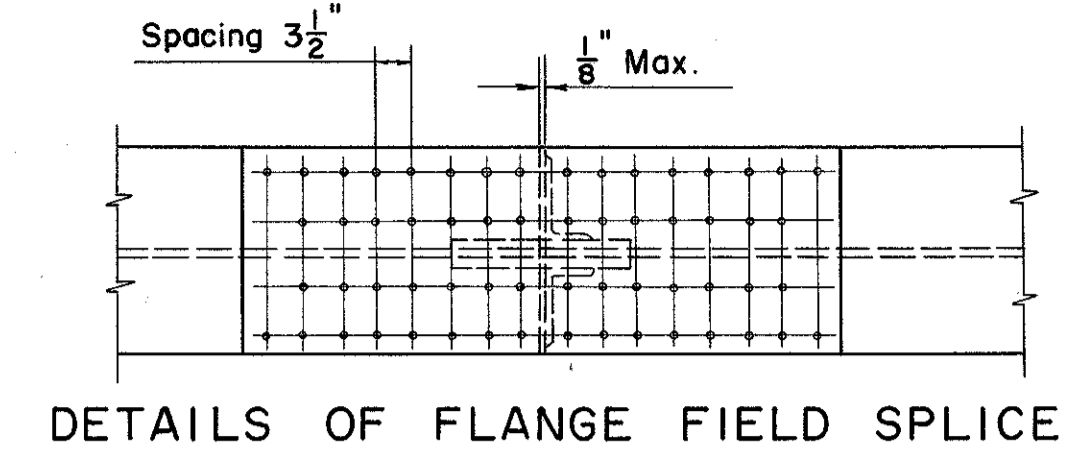


MICROFILMED  
MAR 8 0134

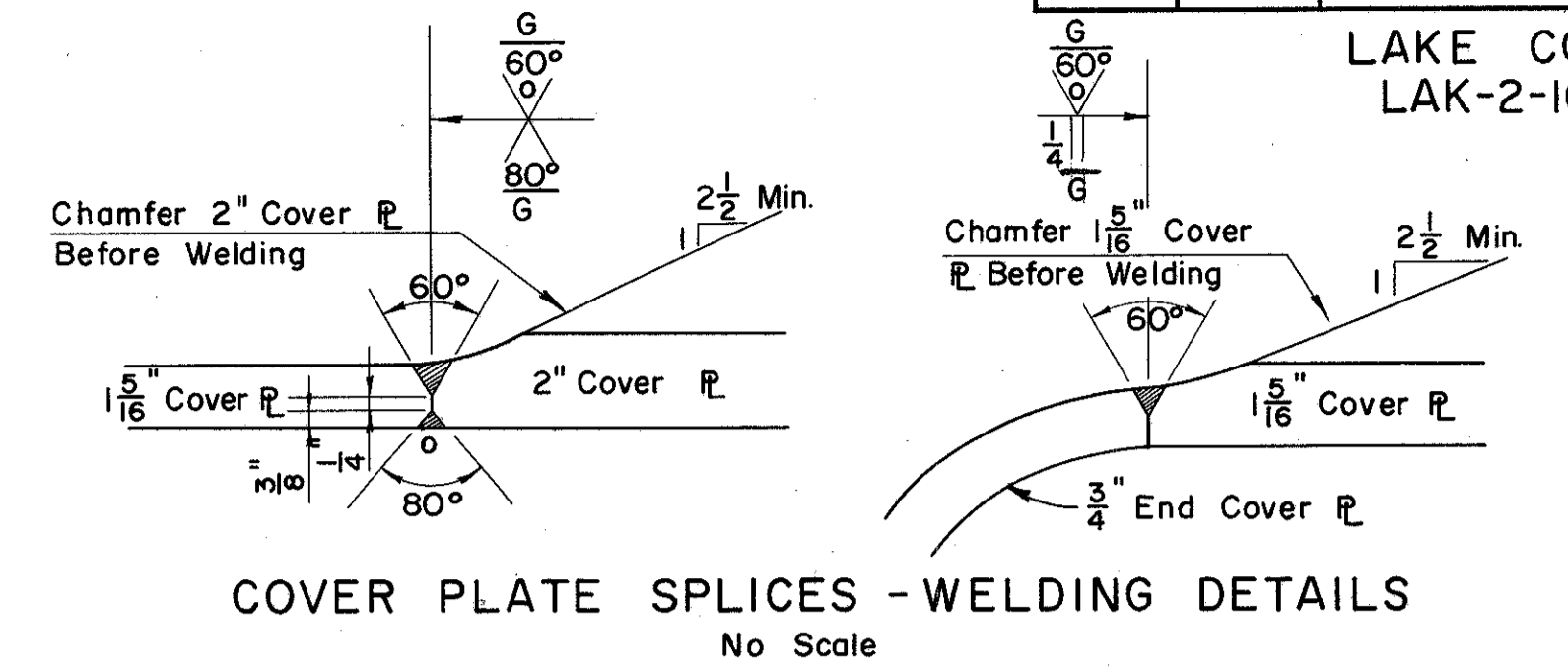
LAKE COUNTY  
LAK-2-16.49



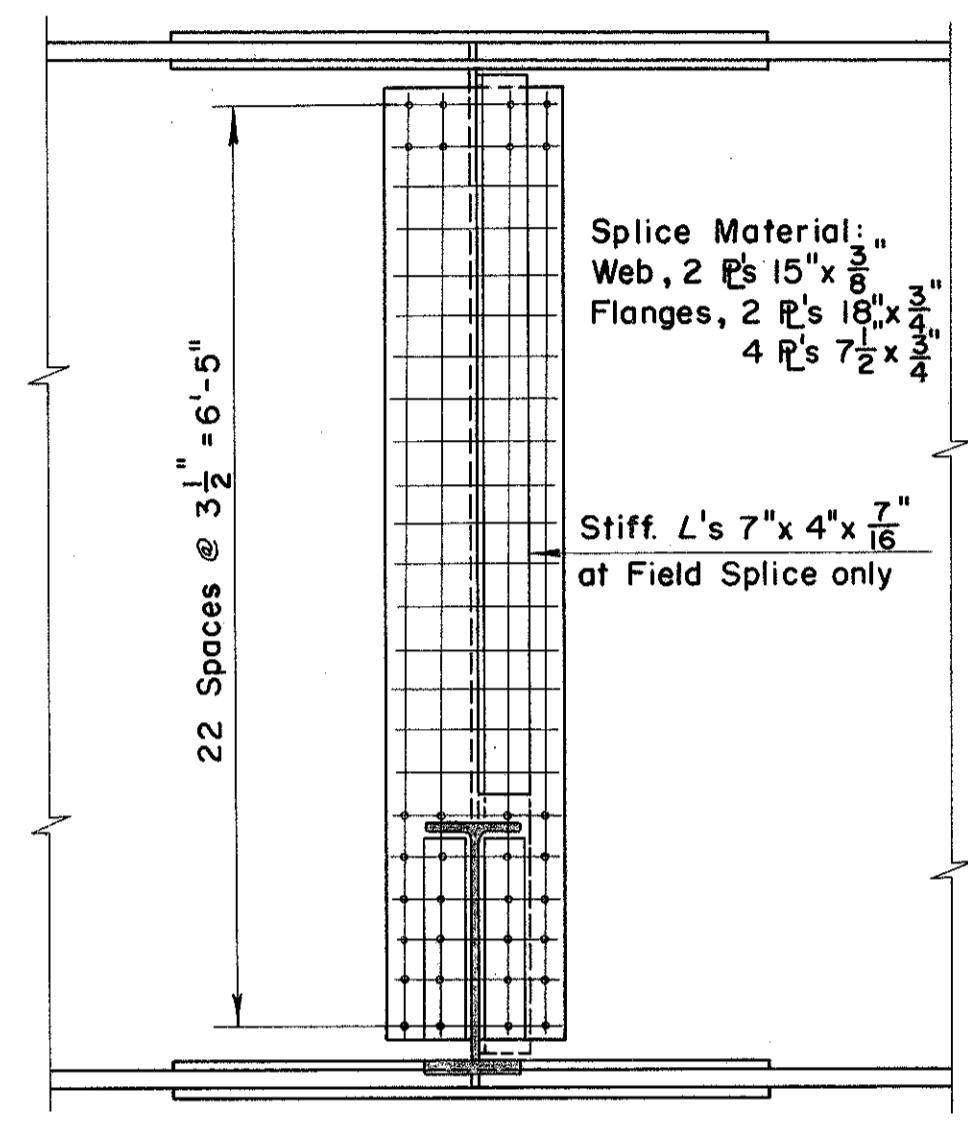
FLOOR PLAN AT SKEWED ENDS



DETAILS OF FLANGE FIELD SPLICE

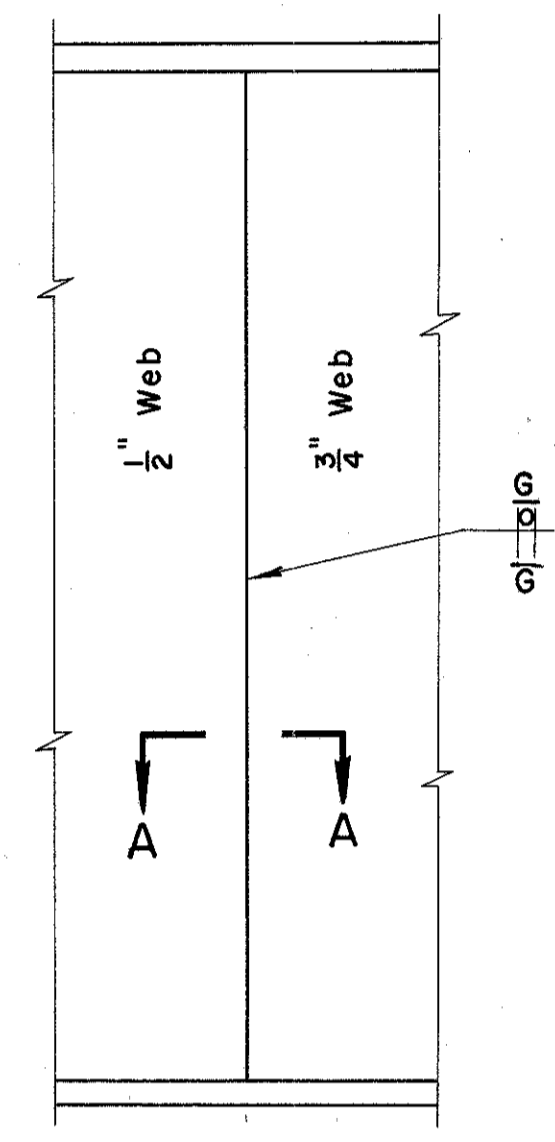


COVER PLATE SPLICES - WELDING DETAILS  
No Scale

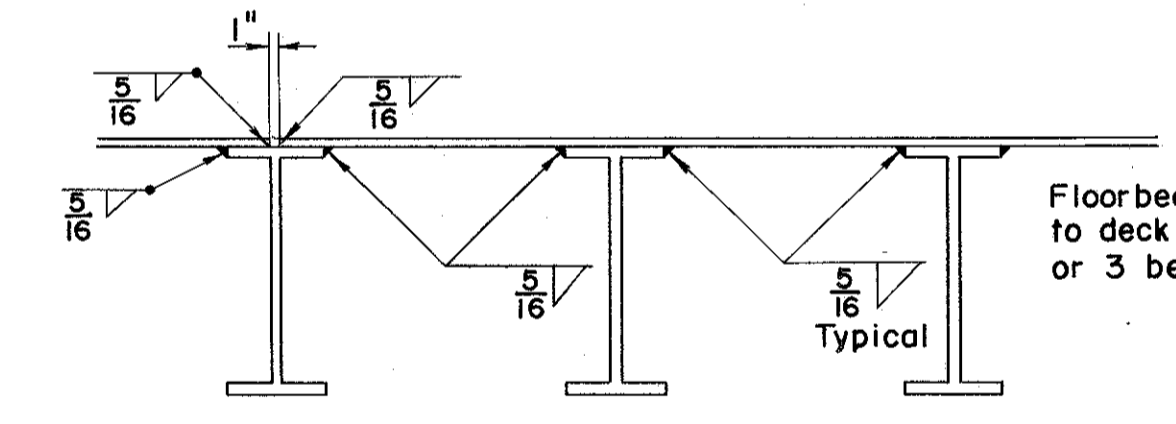
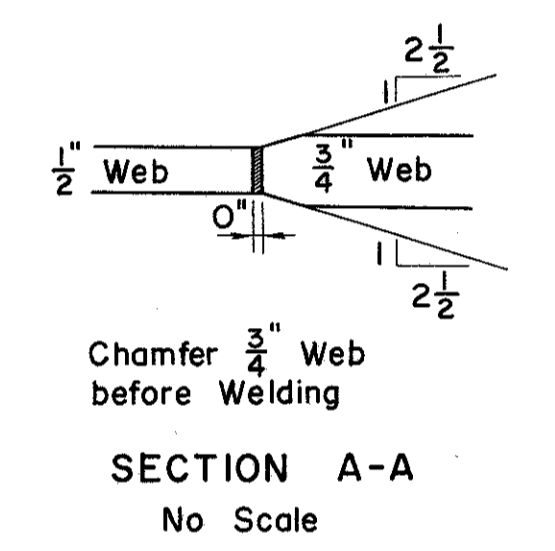


DETAILS OF WEB FIELD SPLICE

Butt Welds shall be formed by welding from both sides with back gouging before welding from the other side.

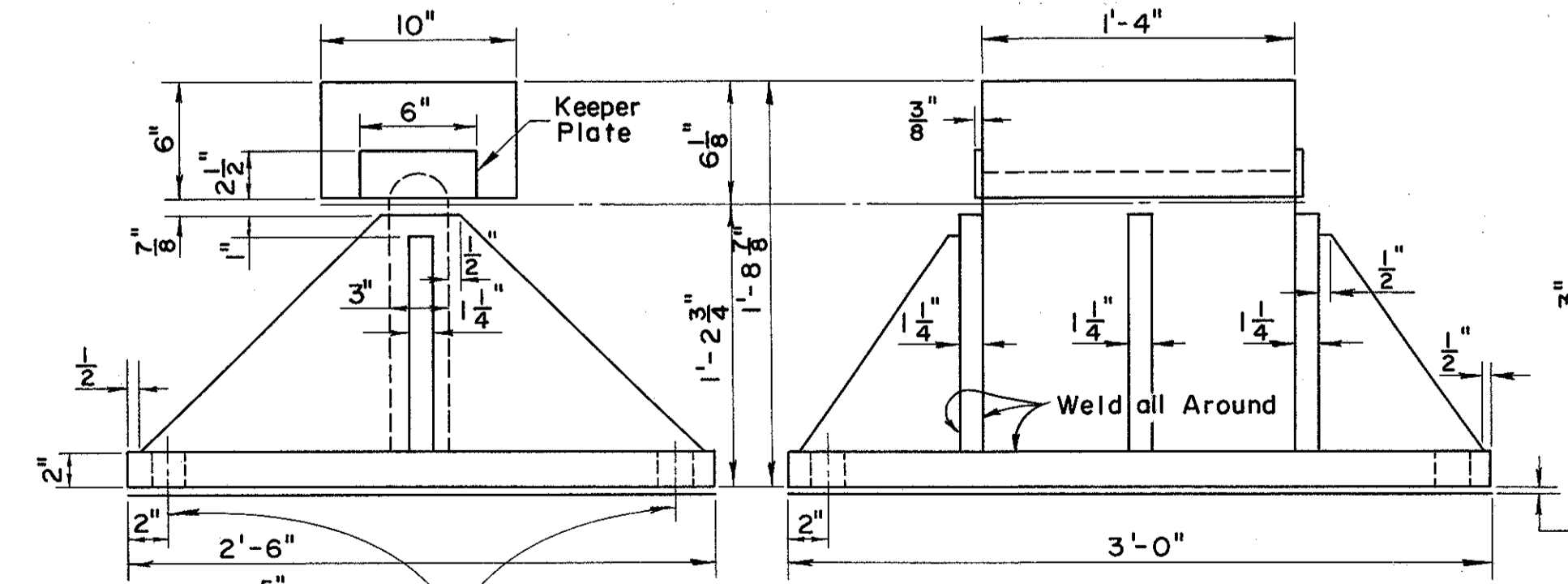


DETAILS OF SHOP WEB SPLICE



SECTION THRU FLOOR SYSTEM

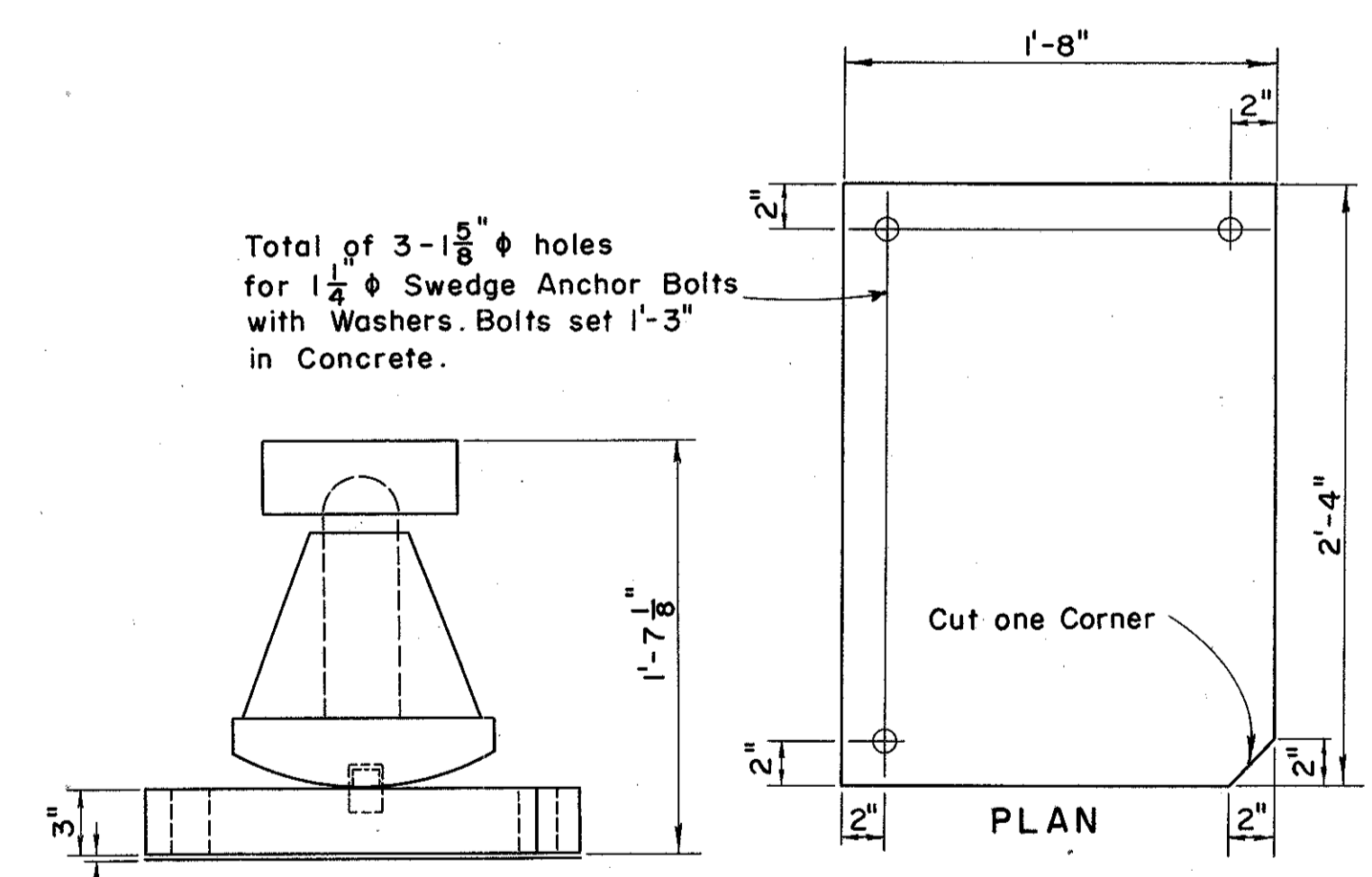
Floorbeams to be shopwelded to deck plate in units of 2 or 3 beams.



STRUCTURAL STEEL BOLSTER

Total of 4 - 1/4" holes for 1 1/4" x 1'-8" Swedge Anchor Bolts with Washers. Bolts set 1'-3" in Concrete.

All welds 3/4", except Keeper PL, where 5/16" welds will be required.  
Abutments to be backfilled to within 6" of Bridge Seat Elevations before Anchor Bolts are placed.



STRUCTURAL STEEL ROCKER R-300

Rocker Dimensions same as Ohio State Highway Dept. Standard RB-1-55 Rev. 2-2-59 except bearing plate as shown above.

PREPARED BY  
CAPITOL ENGINEERING ASSOCIATES, DILLSBURG, PA.  
FOR

STATE OF OHIO  
DEPARTMENT OF HIGHWAYS  
DIVISION OF DESIGN AND CONSTRUCTION  
BUREAU OF BRIDGES

STRUCTURAL STEEL DETAILS  
BRIDGE NO. LAK-2-1721  
RELOC. S.R.2 UNDER FP & E R.R.  
LAKE COUNTY  
STA. 808+46.23

DESIGNED	DRAWN	TRACED	CHECKED	REVISED DATE	REVISED
B.O.L.	BOL. K.D.L.	REB	L.L.D.		