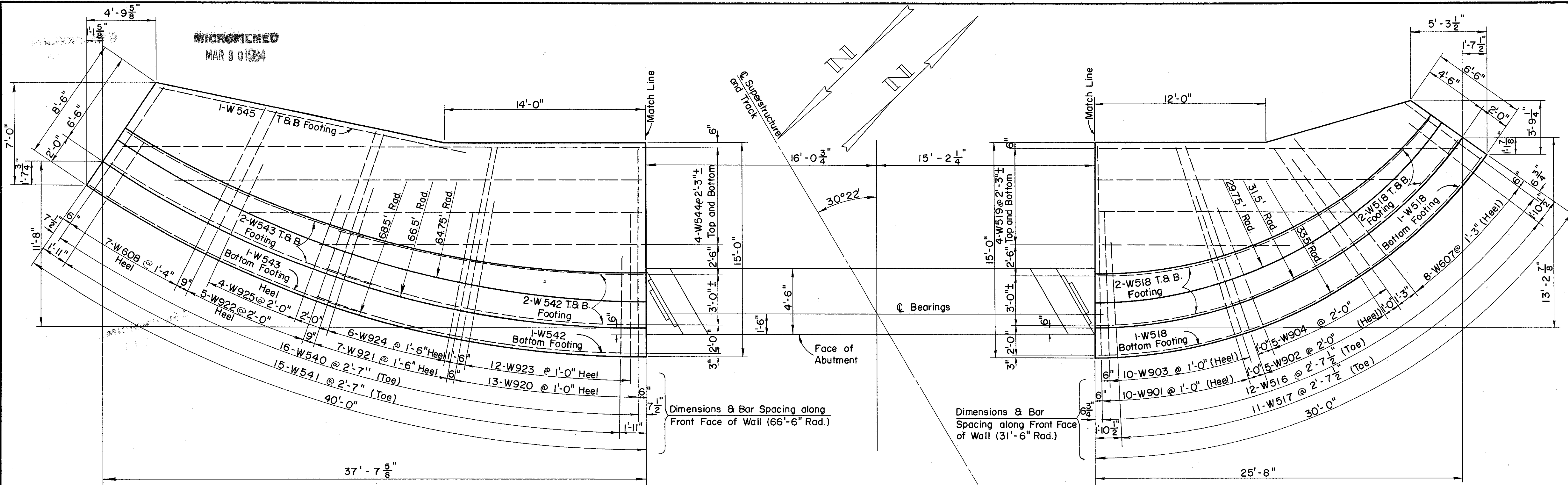


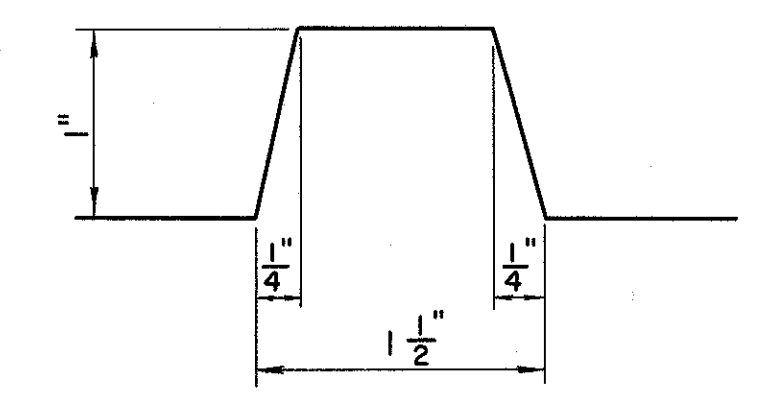
FED. RD. DIVISION	STATE	PROJECT
2	OHIO	

LAKE COUNTY
LAK-2-1649

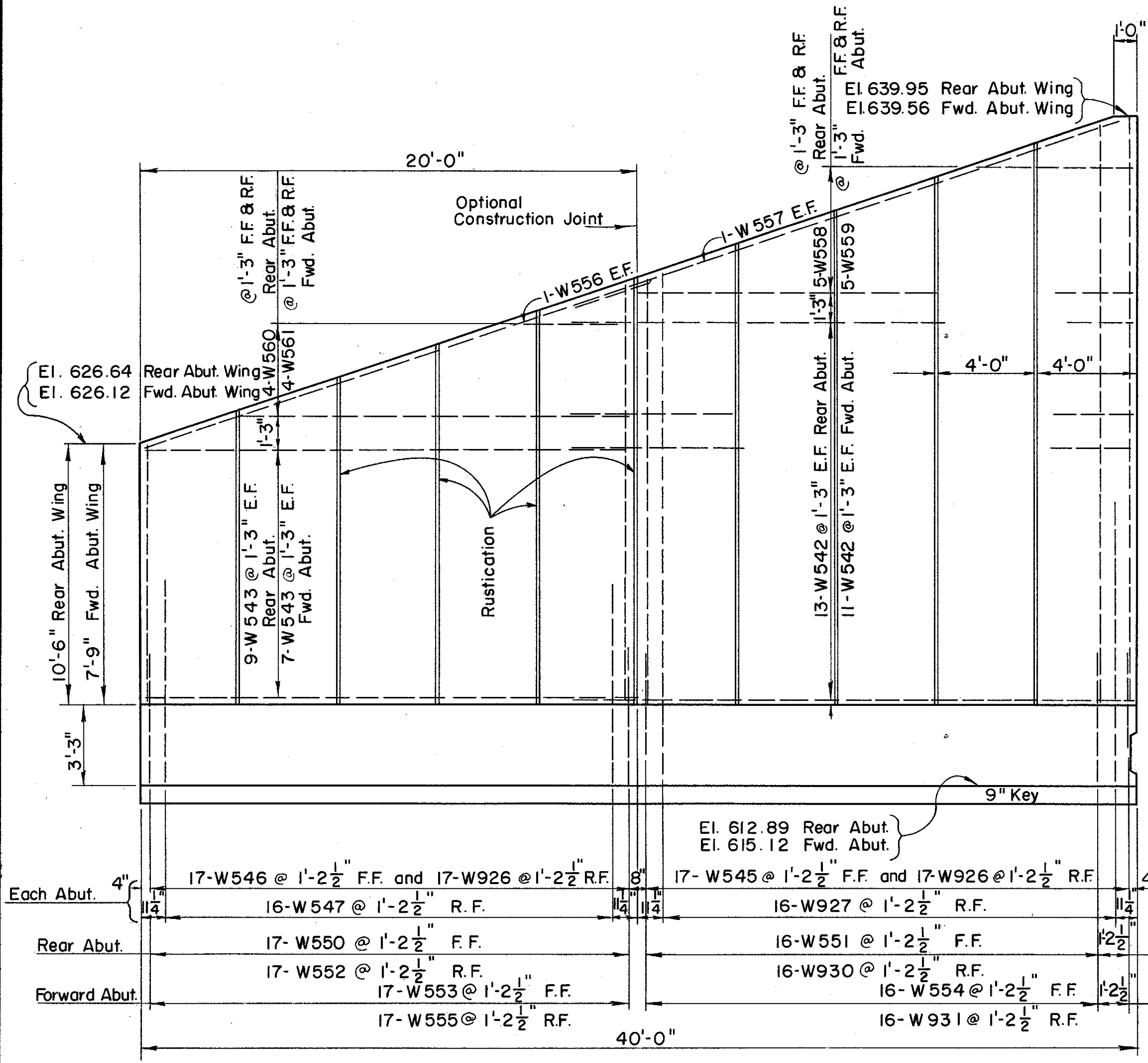


PLAN
(LONG WING)

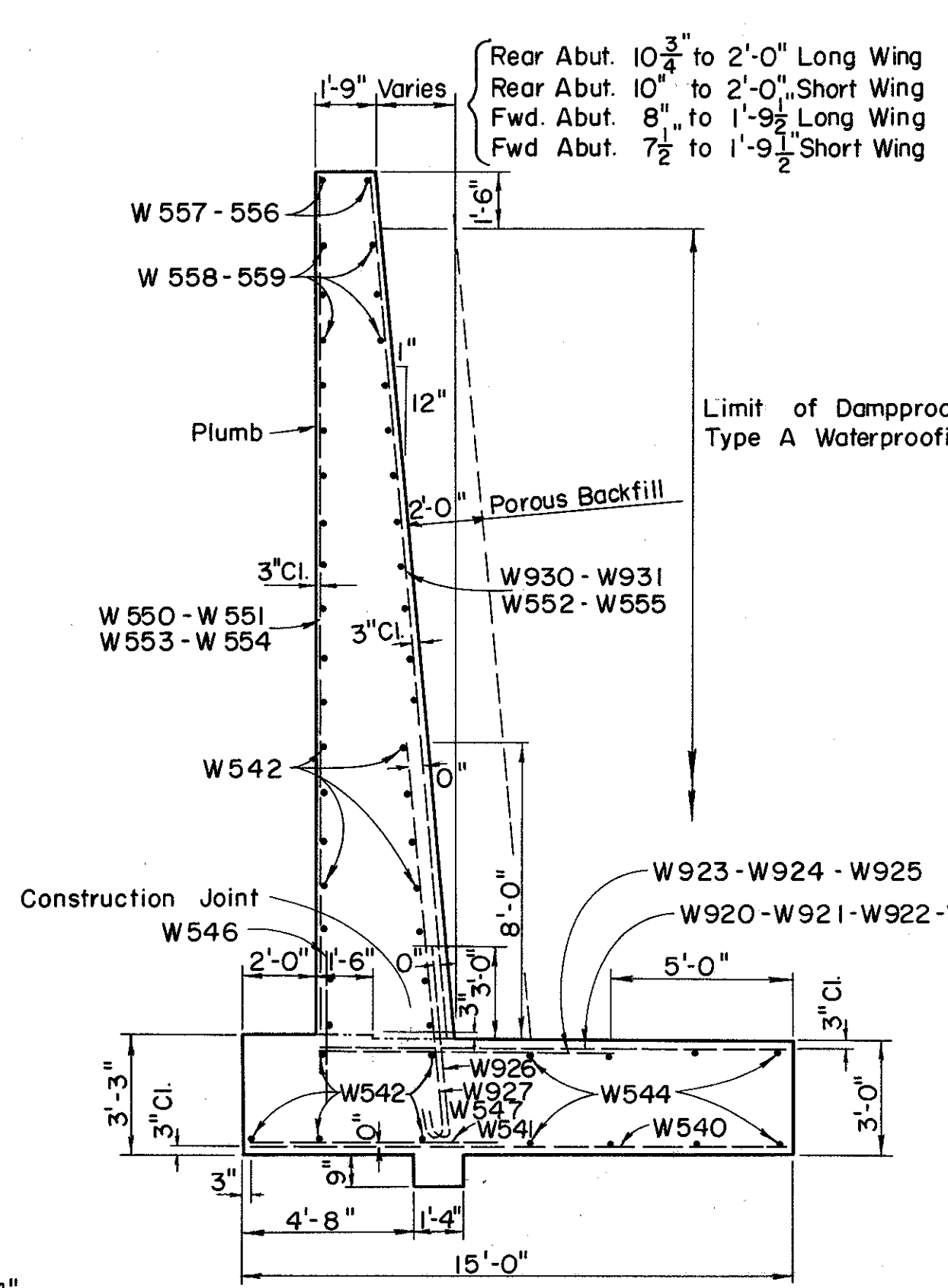
PLAN
(SHORT WING)



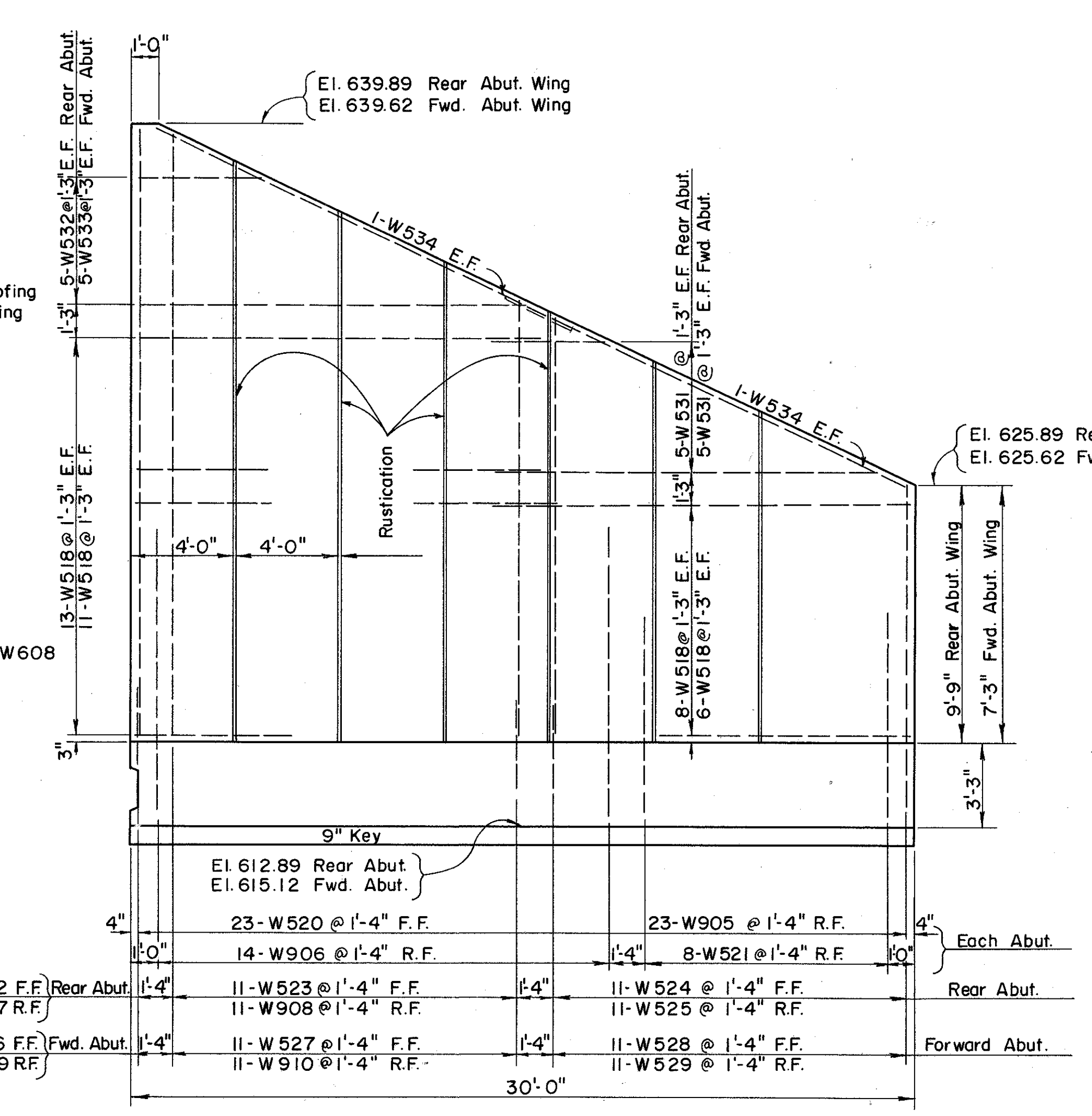
DETAIL OF RUSTICATION



ELEVATION
(DEVELOPED)



TYPICAL END VIEW
(BARS SHOWN ARE FOR LONG WING)



ELEVATION
(DEVELOPED)

- NOTES:
- Key in footings shall be placed against undisturbed earth.
 - F.F. = Front Face
 - R.F. = Rear Face
 - E.F. = Each Face
 - T.&B. = Top and Bottom
 - Reinforcement 2" Cover unless otherwise shown.

PREPARED BY
CAPITOL ENGINEERING ASSOCIATES, DILLSBURG, PA.
FOR

STATE OF OHIO
DEPARTMENT OF HIGHWAYS
DIVISION OF DESIGN AND CONSTRUCTION
BUREAU OF BRIDGES

WING WALLS
BRIDGE NO. LAK-2-1721
RELOC. S.R. 2 UNDER F.P. & E. R.R.
LAKE COUNTY
STA. 808 + 46.23

DESIGNED	DRAWN	TRACED	CHECKED	REVISED	DATE	REVISED
B.O.L.	B.O.L.	R.E.B.	L.L.D.			