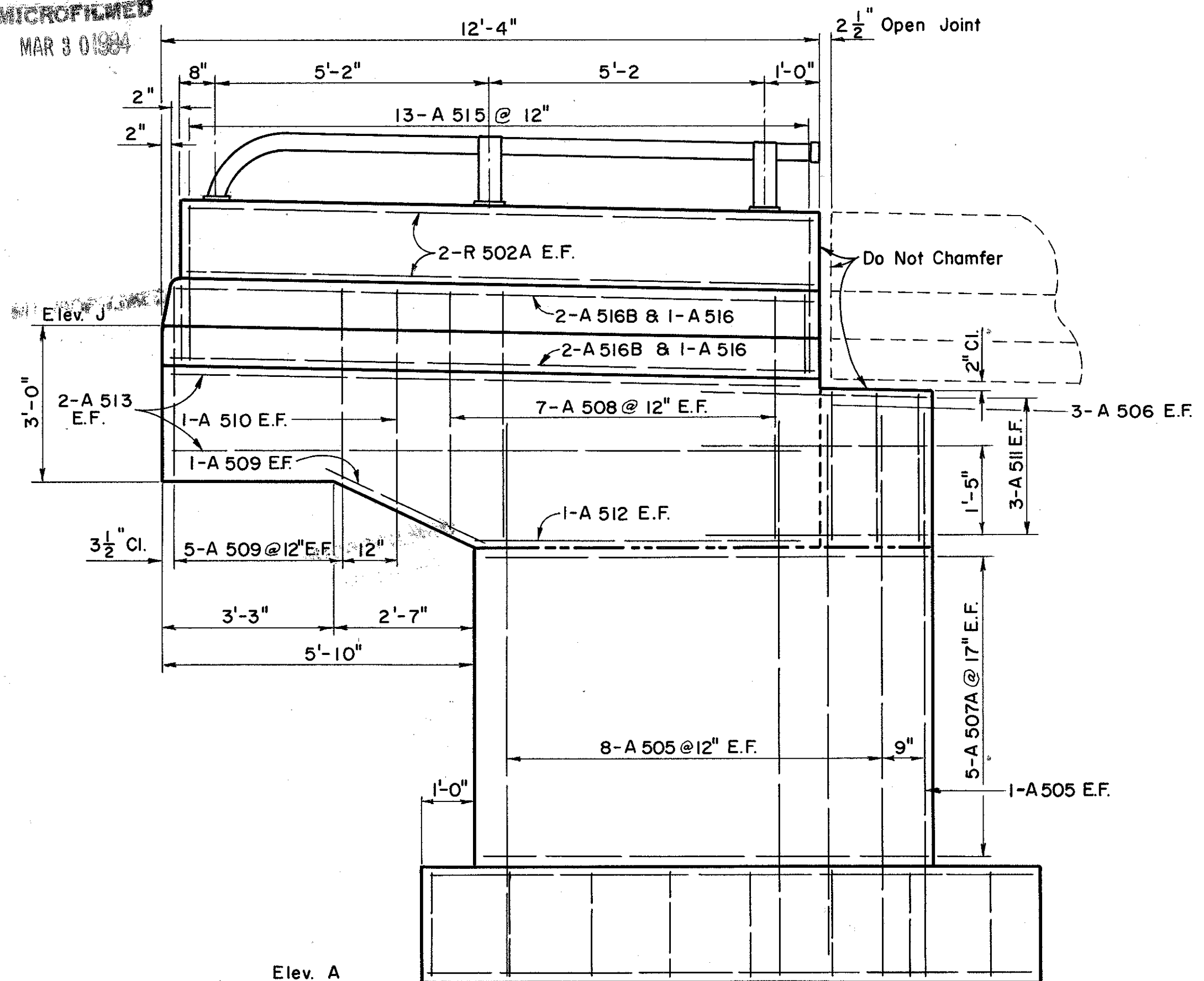


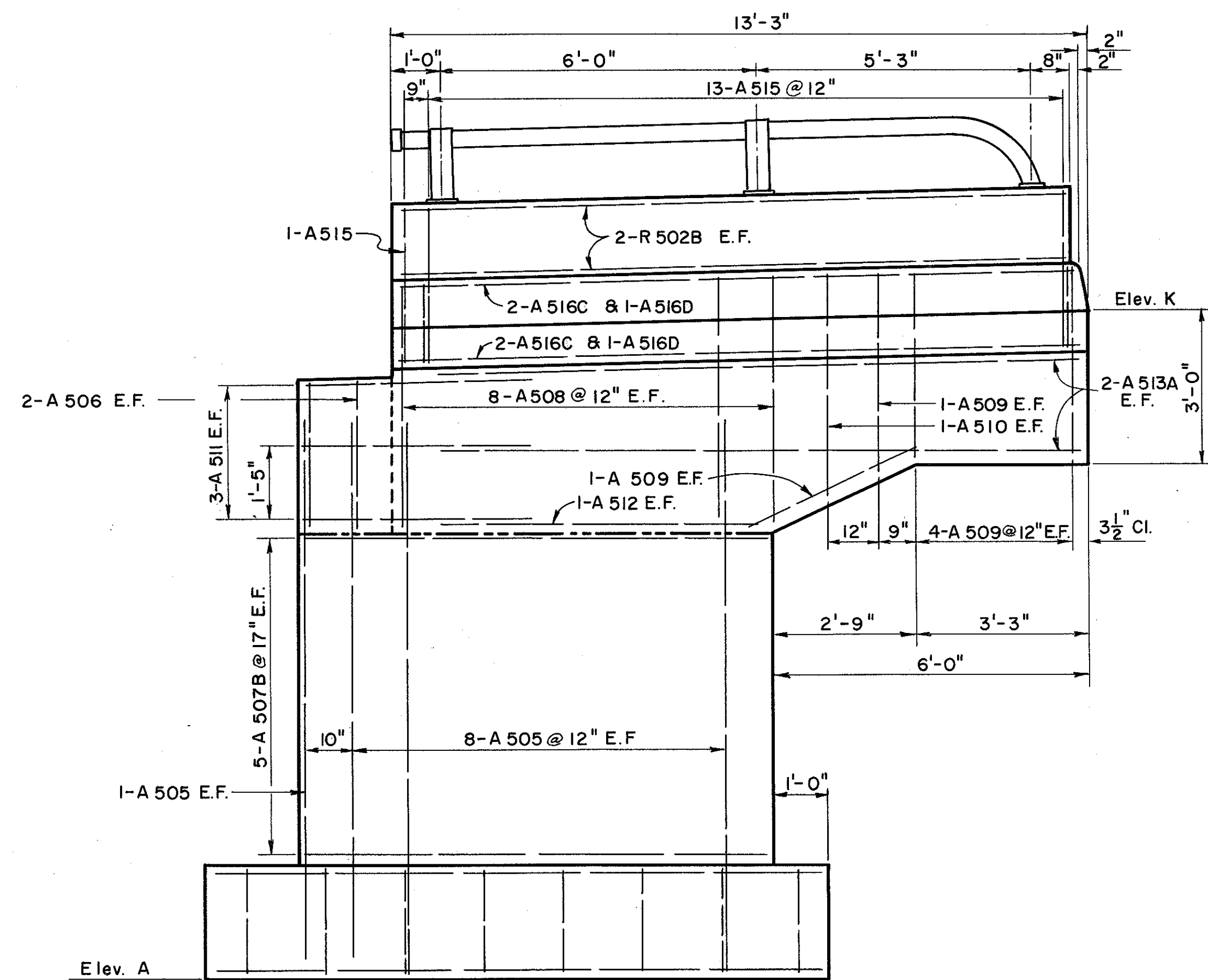
MICROFILMED
MAR 30 1994

FED. RD. DIVISION	STATE	PROJECT	239 313
2	OHIO		

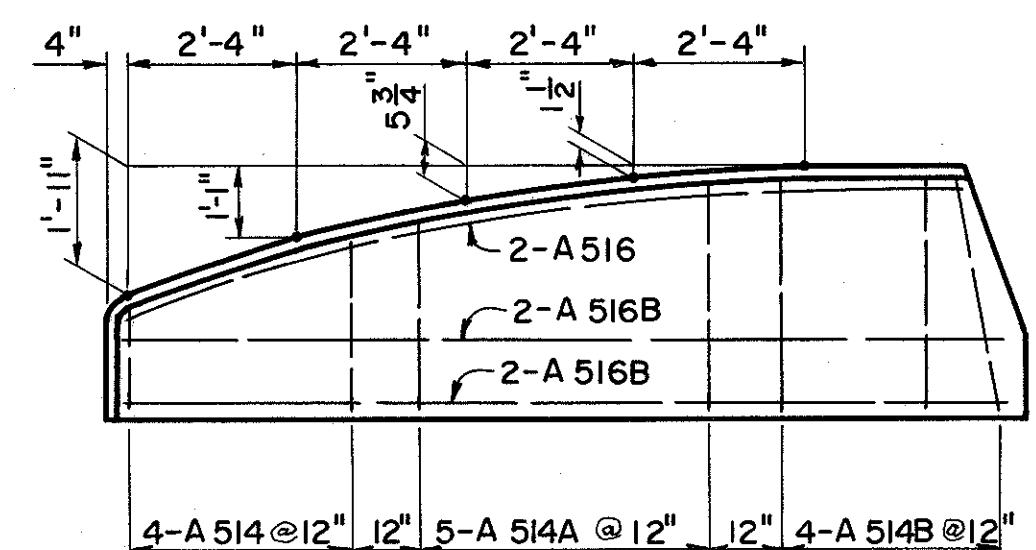
LAKE COUNTY
LAK -2-16.49



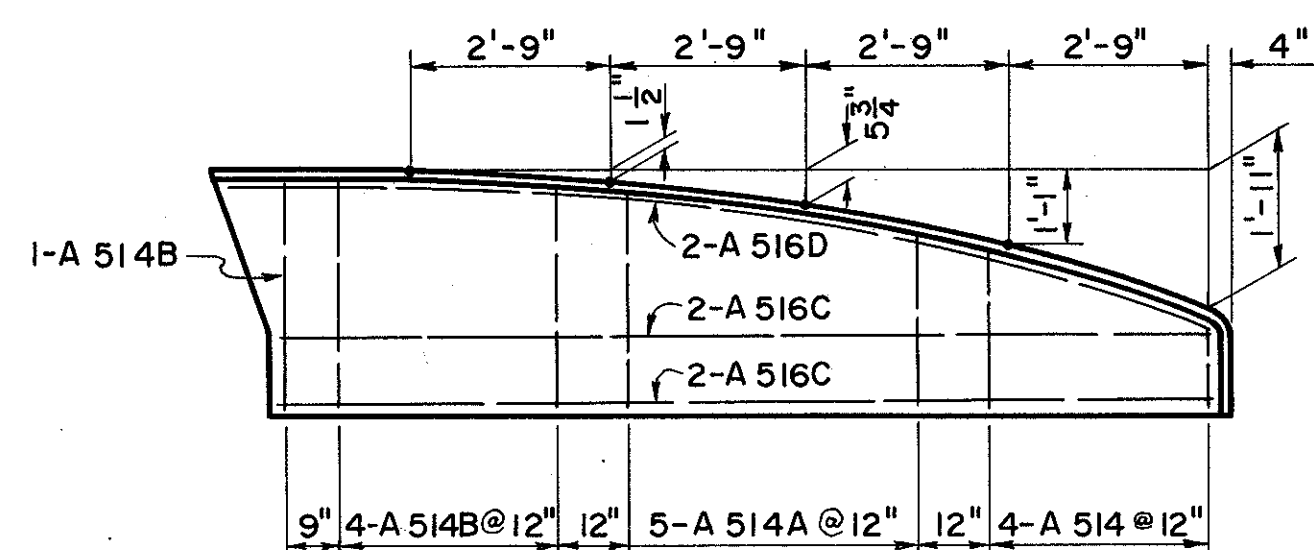
ELEVATION
LEFT FORWARD WING



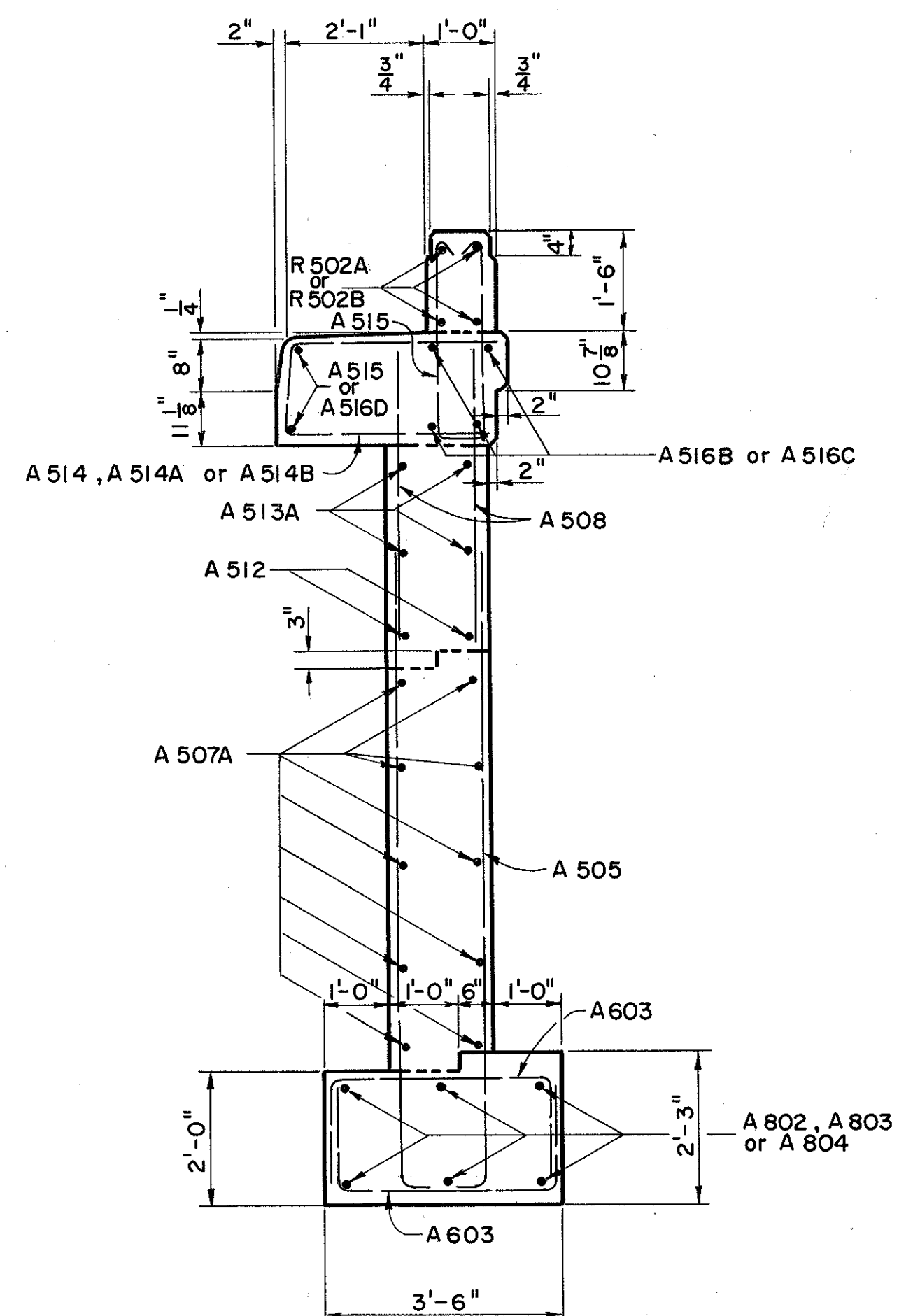
ELEVATION
RIGHT FORWARD WING



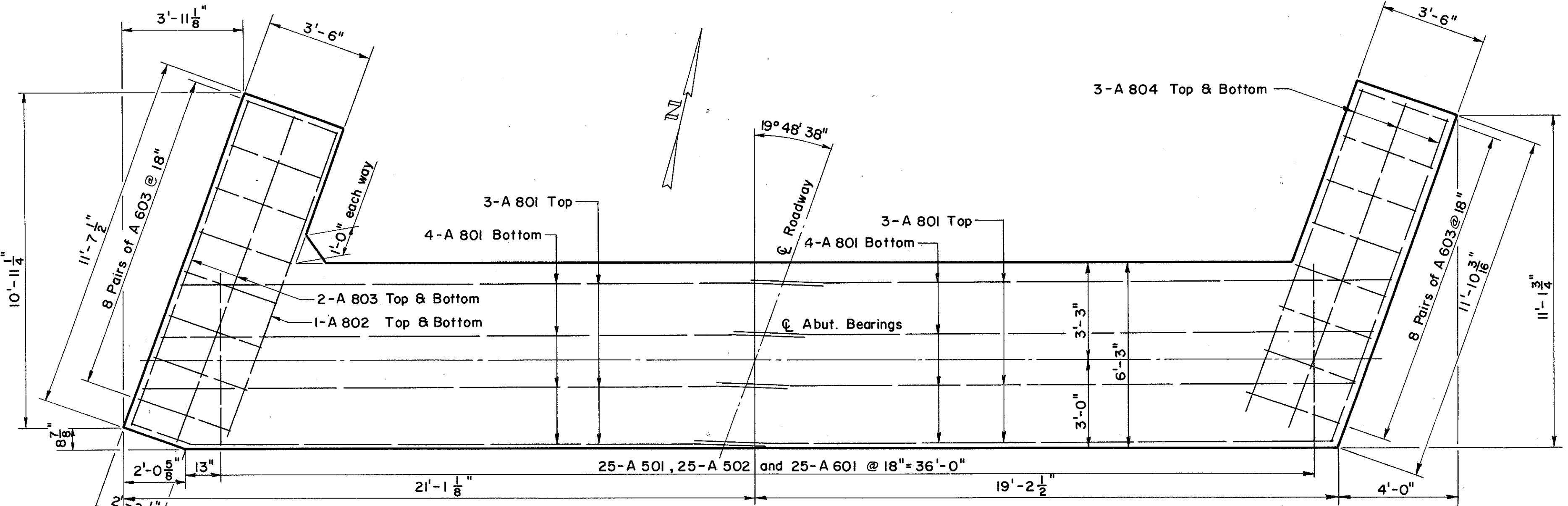
PLAN
LEFT FORWARD CURB



PLAN
RIGHT FORWARD CURB



TYPICAL WING WALL SECTION



FOOTING PLAN

E.F. = each face

PREPARED BY CAPITOL ENGINEERING ASSOCIATES, DILLSBURG, PA. FOR					
STATE OF OHIO DEPARTMENT OF HIGHWAYS DIVISION OF DESIGN AND CONSTRUCTION BUREAU OF BRIDGES					
FORWARD ABUTMENT DETAILS BRIDGE NO. LAK-2-1673 RELOC. S.R. 2 UNDER RELOC. MANTLE ROAD LAKE COUNTY STA. 783 + 61.13					
DESIGNED M.J.F. L.L.D.	DRAWN M.J.F.	TRACED FWB	CHECKED L.L.D. M.J.F.	REVIEWED DATE G.S.W. M.C.P.	REVISED