

MICROFILMED
MAR 29 1984

FED. RD. DIVISION	STATE	PROJECT
2	OHIO	

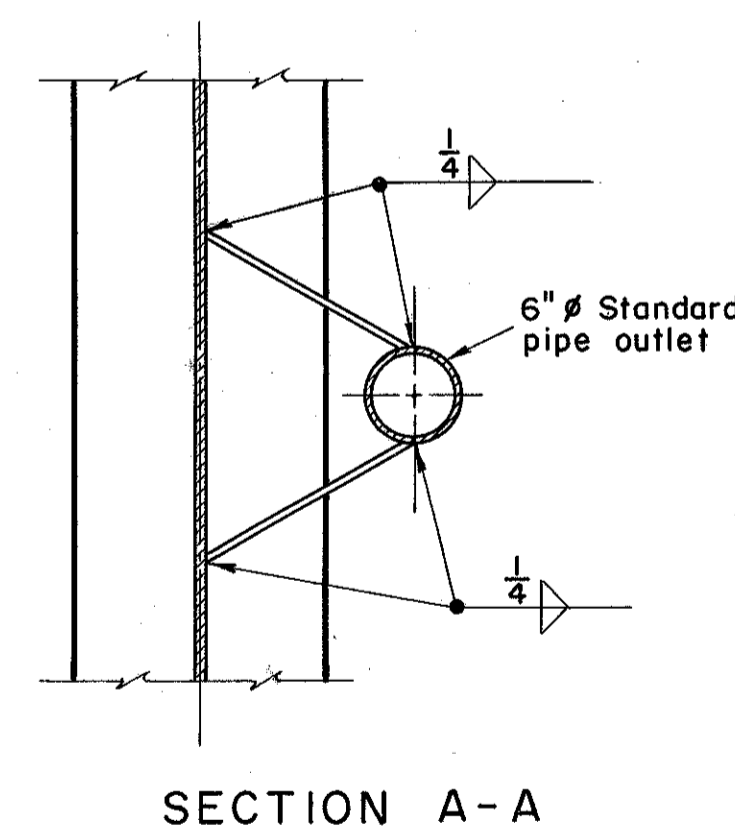
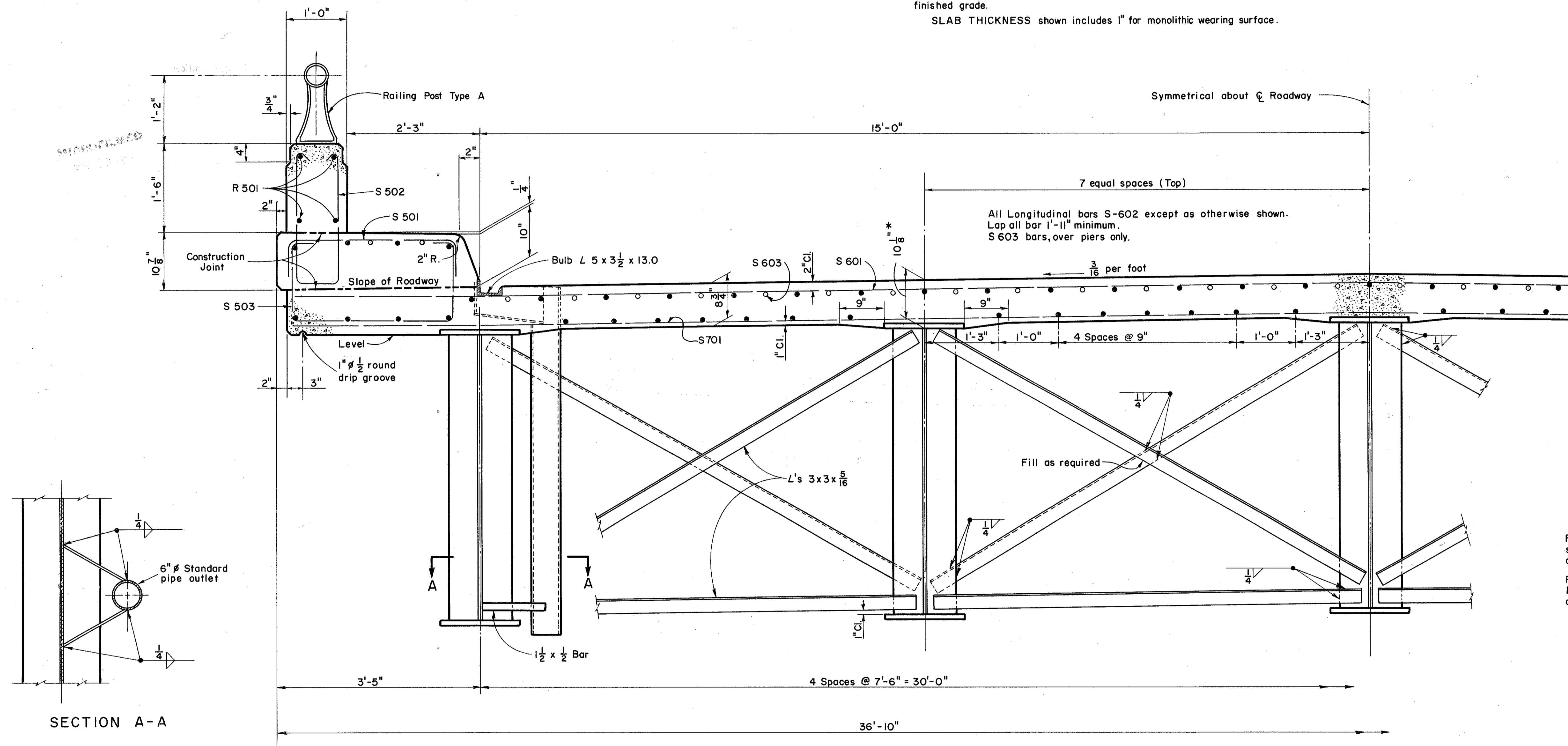
230
313

LAKE COUNTY
LAK-2-16.49

DECK SLAB HAUNCH: The haunch in the deck slab adjacent to the top of steel girders, which is shown as 9" wide, may vary from this dimension between the limits of 6" and 12" except the maximum slope shall not exceed 3" inches per foot. Payment for slab concrete shall be based on the 9" width.

* This is the nominal dimension from top of slab to top of web plate. The quantity of deck concrete to be paid for shall be based on this dimension minus the girder flange thickness, even though deviation from it may be necessary because the top edge of web plate may not have the exact camber or conformation required to place it parallel to the finished grade.

SLAB THICKNESS shown includes 1" for monolithic wearing surface.



HALF - SECTION OF SUPERSTRUCTURE

Reference shall be made to Standard Drawing CSB-2-56, sheets 2 & 3 of 6, Revised 2-2-59 for details of end dams, gutters, & pipe drains.
Reference shall be made to Standard Drawing AR-1-57, Revised 4-2-62 for details of aluminum railing and details of concrete parapet.

PREPARED BY CAPITOL ENGINEERING ASSOCIATES, DILLSBURG, PA. FOR					
STATE OF OHIO DEPARTMENT OF HIGHWAYS DIVISION OF DESIGN AND CONSTRUCTION BUREAU OF BRIDGES					
SUPERSTRUCTURE DETAILS BRIDGE NO. LAK-2-1652 L & R RELOC. SR. 2 OVER GRAND RIVER LAKE COUNTY STA. 772 + 03.61 STA. 774 + 68.39					
DESIGNED	DRAWN	TRACED	CHECKED	REVIEWED	DATE
C.H.	M.J.F.	FWB	L.L.D. M.J.F.	G.S.W. M.C.P.	