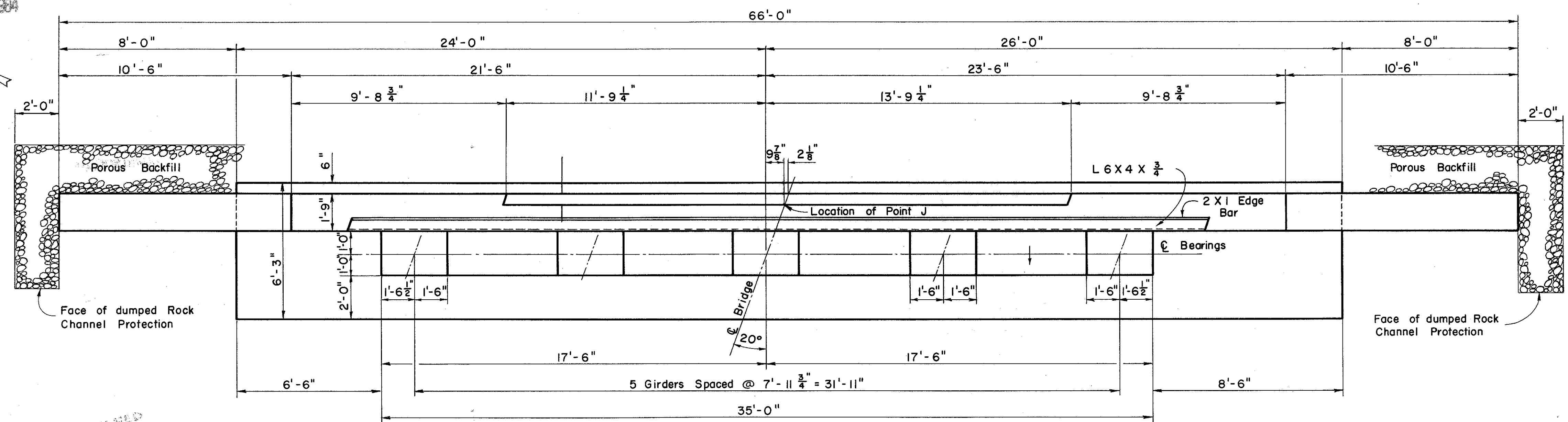
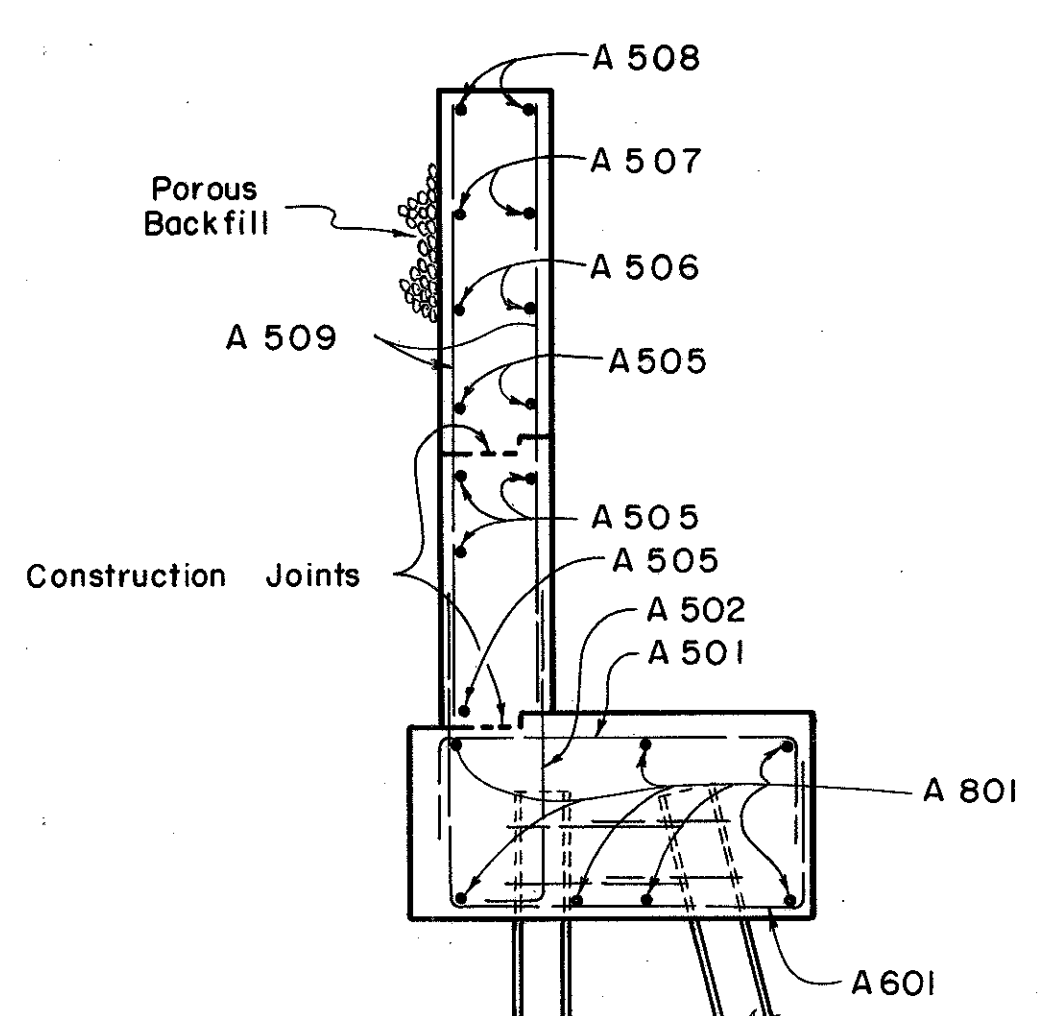


LAKE COUNTY
LAK-2-16.49

MICROFILMED
MAR 29 1984



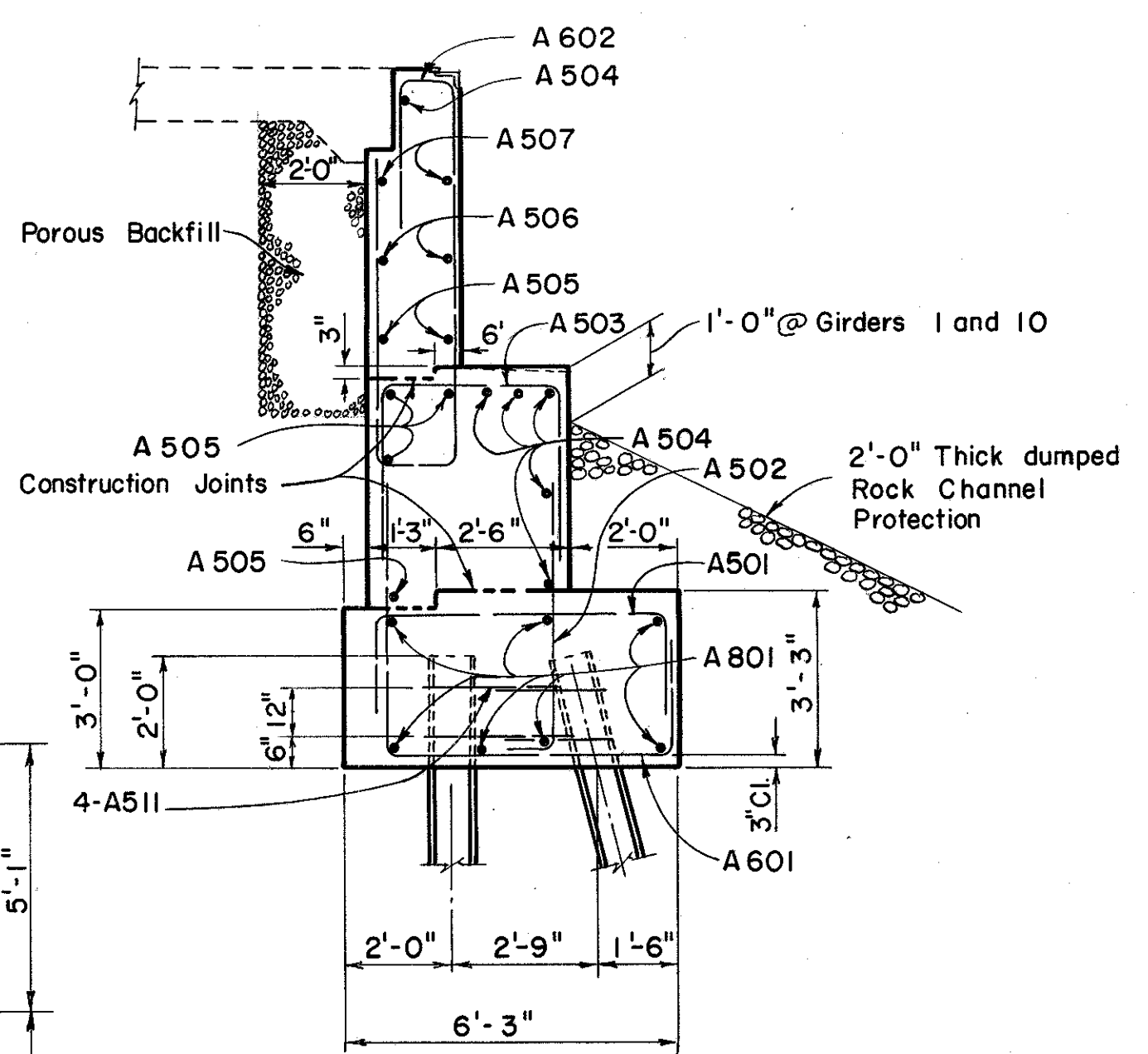
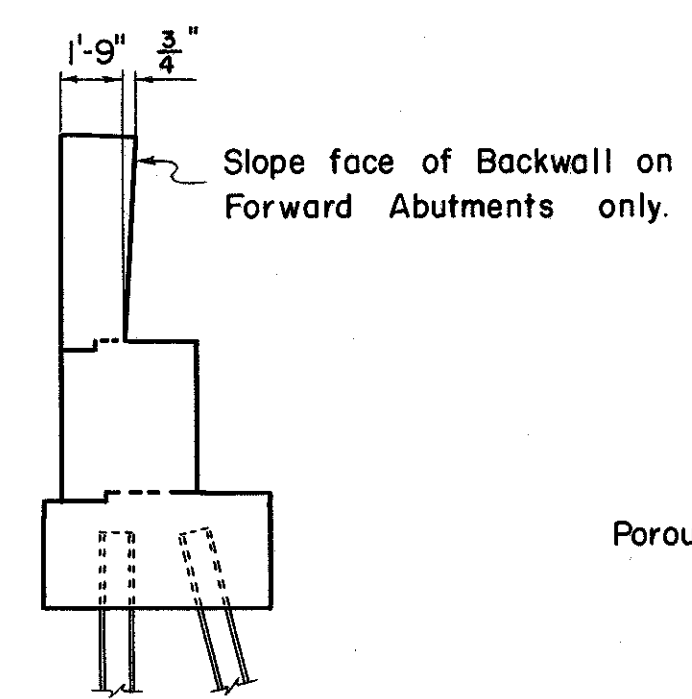
PLAN



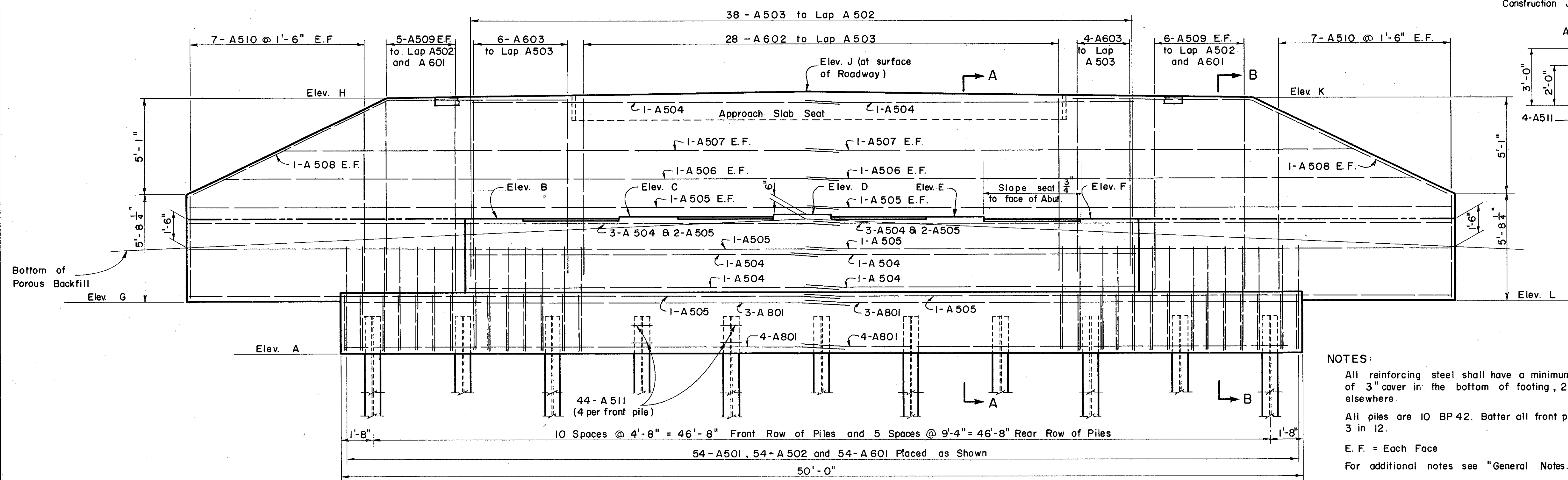
SECTION B-B

ABUTMENT	ELEVATIONS										
	A	B	C	D	E	F	G	H	J	K	L
Left Rear	583.00	590.17	590.27	590.37	590.24	590.11	585.77	596.54	596.83	596.48	585.71
Right Rear	583.00	590.31	590.41	590.51	590.38	590.24	585.91	596.68	596.96	596.61	585.84
Left Forward	585.50	592.64	592.80	592.95	592.88	592.80	588.24	599.01	599.43	599.17	588.40
Right Forward	585.75	593.01	593.17	593.33	593.26	593.18	588.61	599.38	599.81	599.55	588.78

POROUS BACKFILL shall extend upward to the approach slab and to the surface of the earth shoulders, and outward to the surface of the embankment slopes. Excavation therefor, in excess of that required for construction of the abutment, shall be considered as paid for in the bid price per cu. yd. paid for porous backfill.



SECTION A-A



ELEVATION

NOTES:
All reinforcing steel shall have a minimum of 3" cover in the bottom of footing, 2" elsewhere.
All piles are 10 BP 42. Batter all front piles 3 in 12.
E. F. = Each Face
For additional notes see "General Notes."

PREPARED BY
CAPITOL ENGINEERING ASSOCIATES, DILLSBURG, PA. FOR

STATE OF OHIO
DEPARTMENT OF HIGHWAYS
DIVISION OF DESIGN AND CONSTRUCTION
BUREAU OF BRIDGES

ABUTMENT DETAILS
BRIDGE NO. LAK-2-1652 L&R
RELOC. SR. 2 OVER GRAND RIVER
LAKE COUNTY
STA. 772 + 03.61
STA. 774 + 68.39

DESIGNED M.C.P. L.L.D.	DRAWN M.J.F.	TRACED F.W.B.	CHECKED L.L.D. M.J.F.	REVIEWED G.S.W. M.C.P.	DATE	REVISED
------------------------------	-----------------	------------------	-----------------------------	------------------------------	------	---------