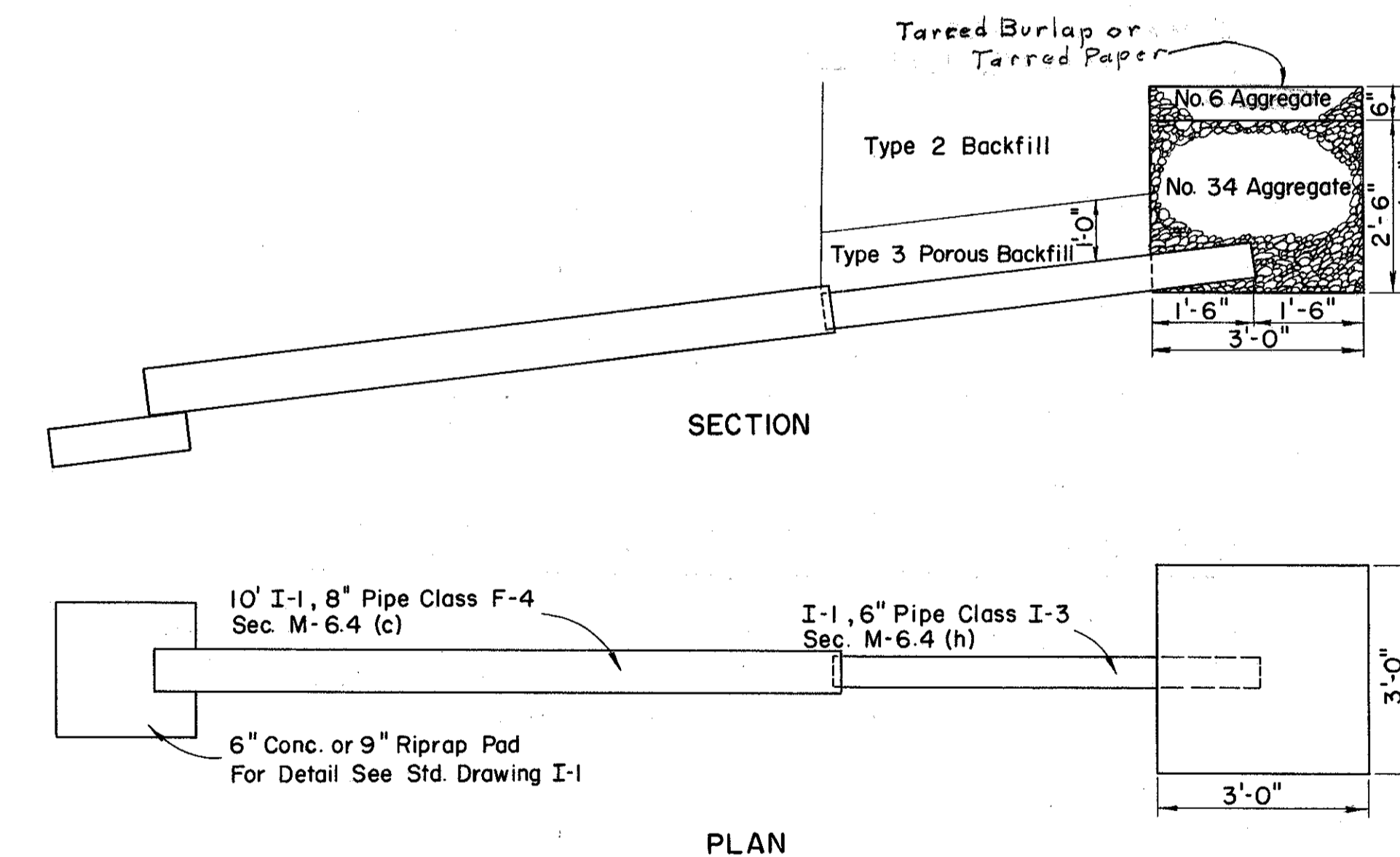
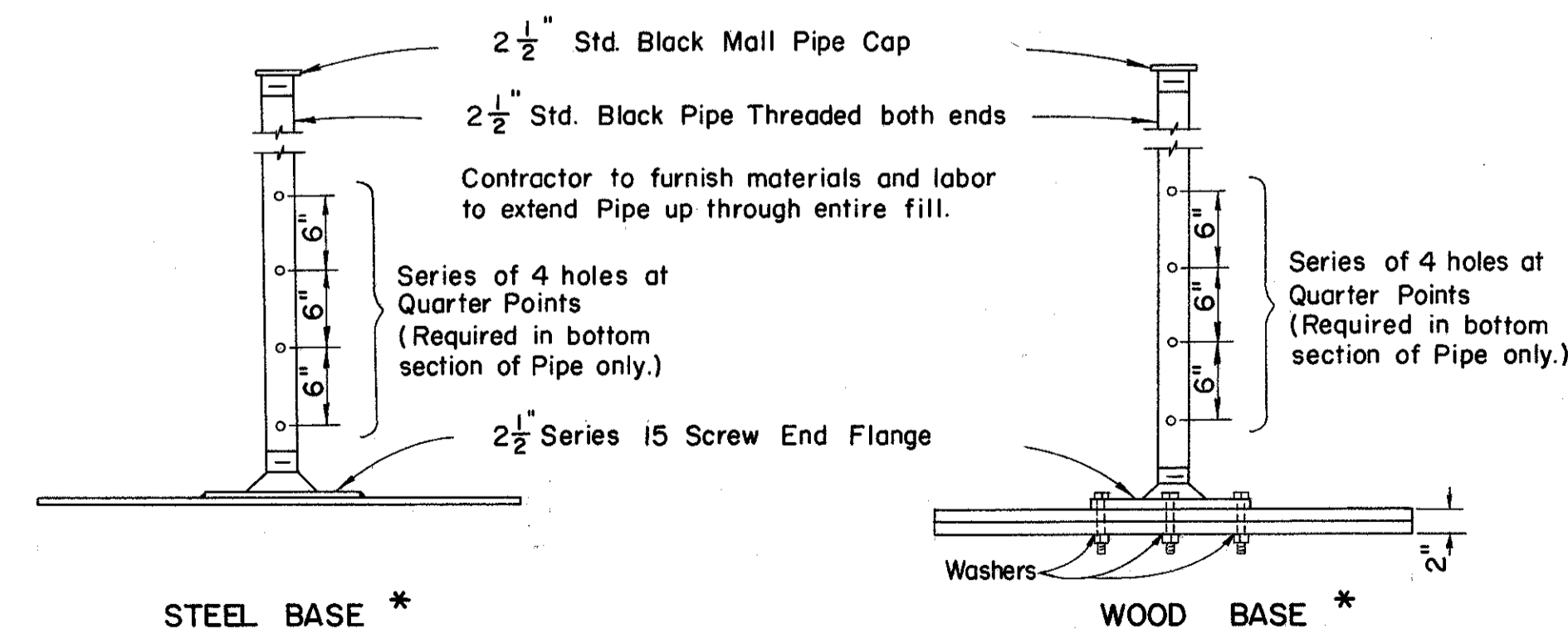
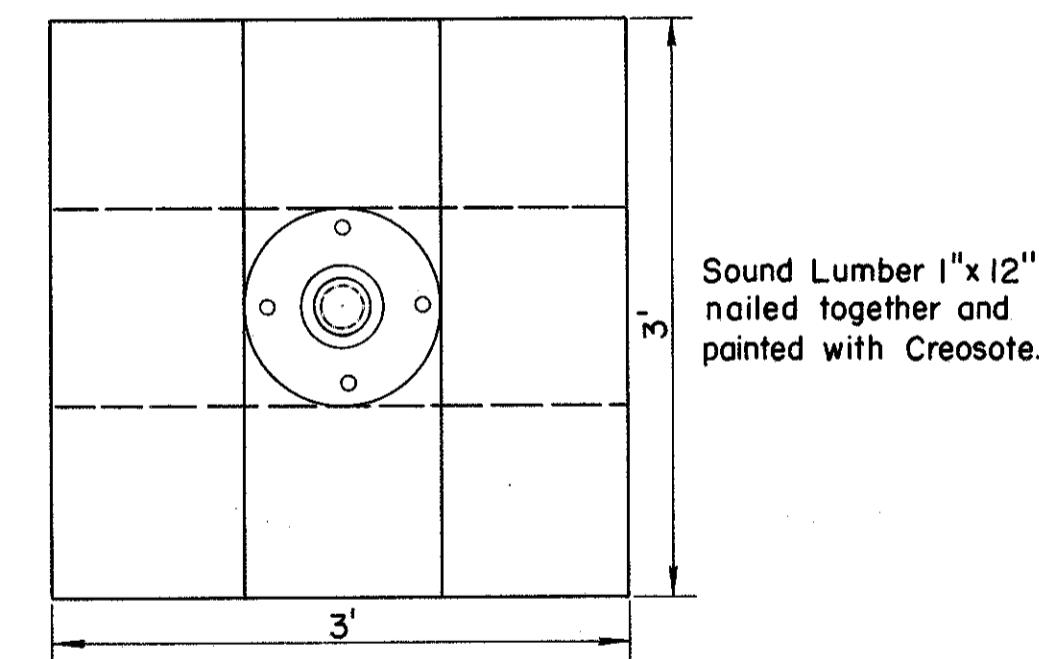
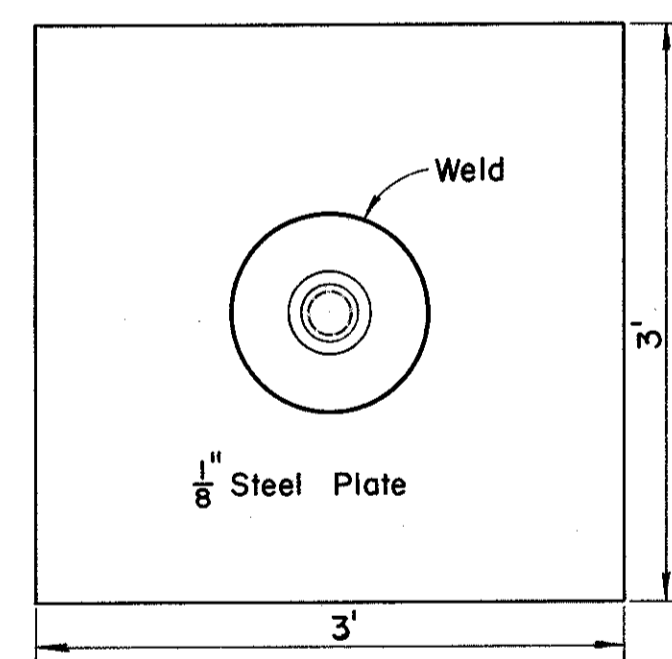
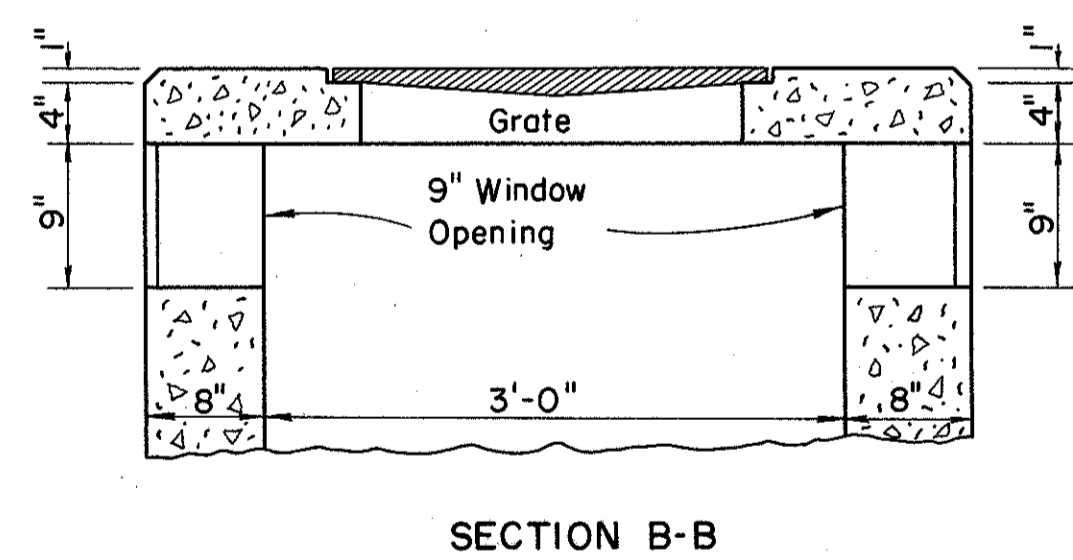
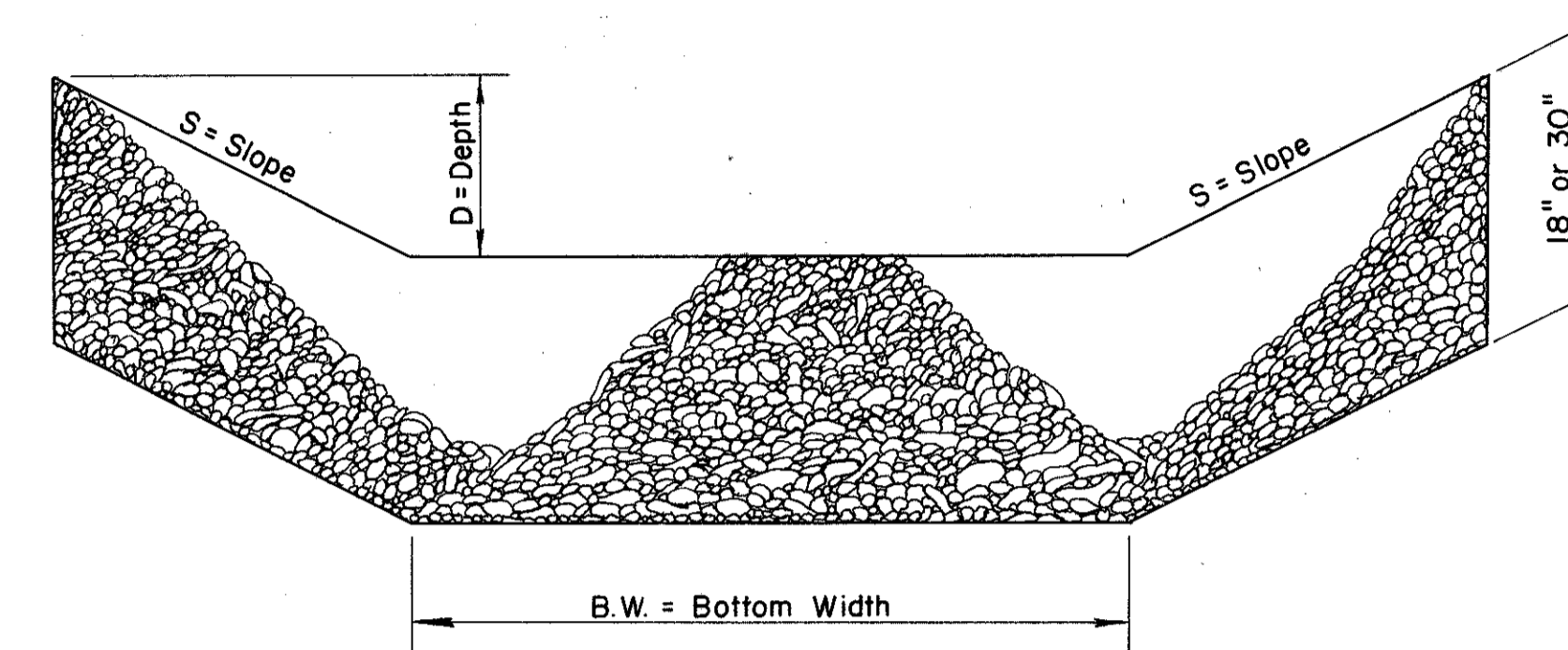
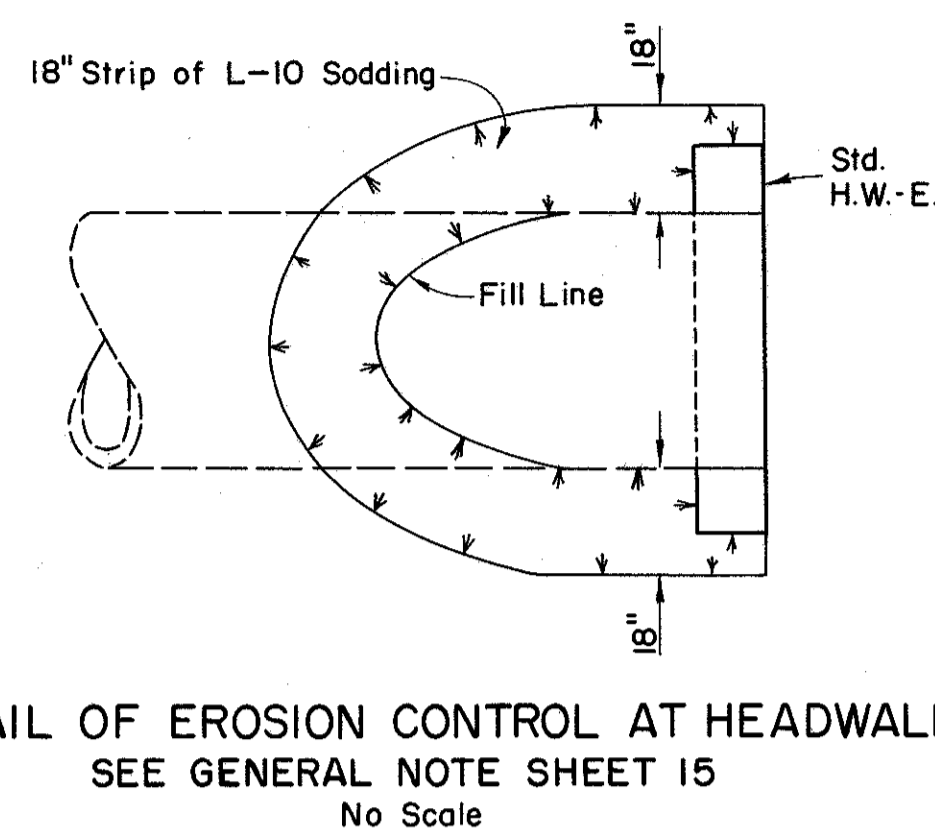
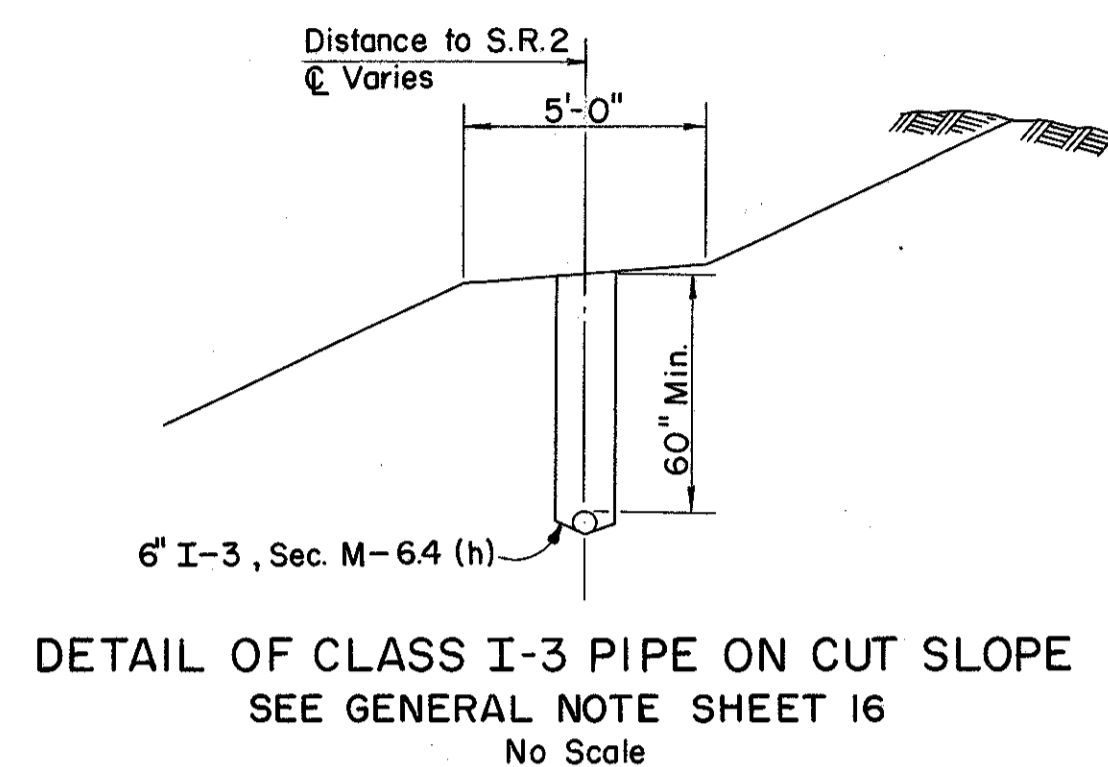
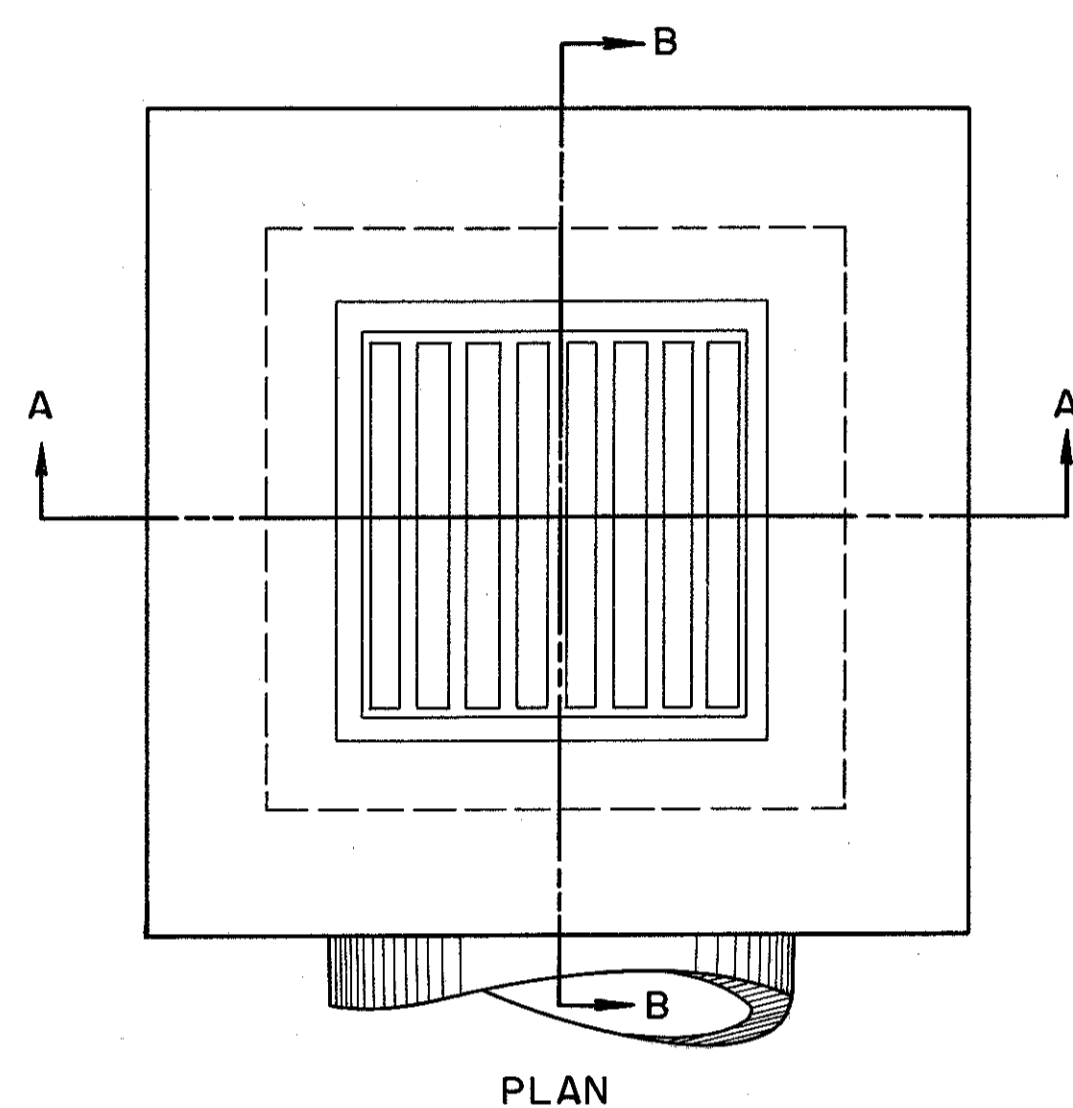


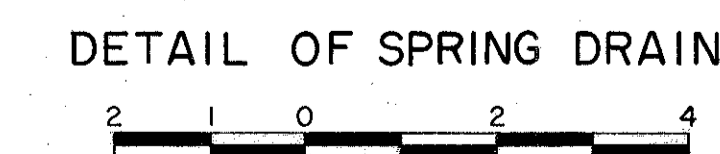
FED. RD. DIVISION	STATE	PROJECT
2	OHIO	

223  
313

LAKE COUNTY  
LAK-2-16.49



The Spring Drain shall be constructed as shown. The Lin. Foot price bid shall include all aggregates, bituminous material and any necessary excavation. The required pipe to outlet the Spring Drain shall be paid for separately as I-1, 6" pipe Class I-3 and I-1, 8" pipe Class F-4. The Class I-3 pipe shall be covered with Type 3 porous backfill material to a height of One (1) Foot above the top of the pipe, the remaining backfill shall meet the specification requirements for Type 2 backfill. Estimated quantities for I-3 Underdrains, I-1, 6" pipe Class I-3 and 8" pipe Class F-4 are called for on the Plan and General Notes. See Sheet No. 15 for note on Item I-9, Stone Underdrain, No. 2, as per plan.



MODIFIED NO. 2-3 CATCH BASIN

NOTE: Window openings and depths to be constructed as shown, all other details and notes shall conform to Standard Construction Drawing I-8 C.B. 2-3 & 2-4.



Sta. 850+90, 16' Lt. & Sta. 852+80, 16' Rt.

DETAILS OF SETTLEMENT PLATFORMS



\* Contractor has option of using either Steel or Wood Platform Base