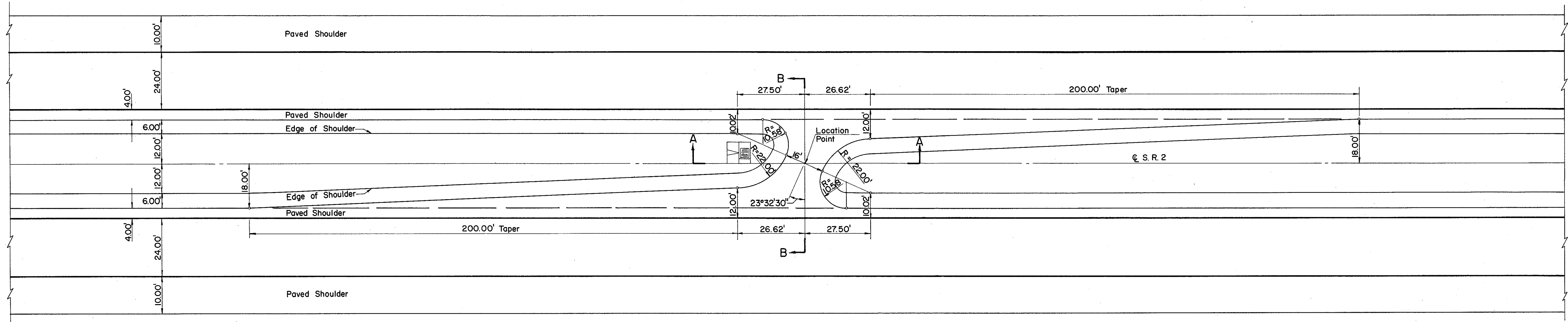


TYPICAL MEDIAN CROSSOVER

FED. RD. DIVISION	STATE	PROJECT
2	OHIO	

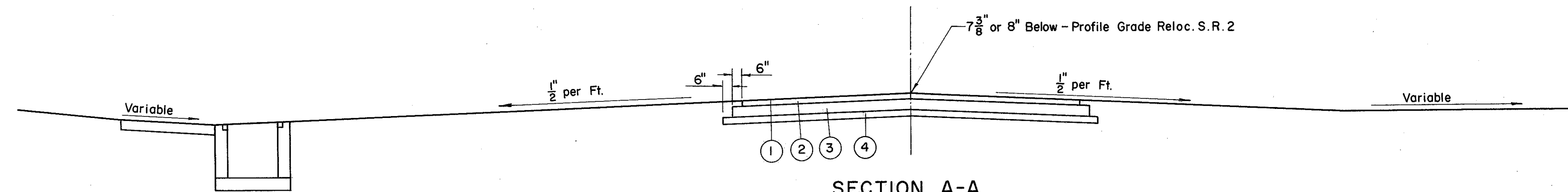
222
313

LAKE COUNTY
LAK-2-16.49

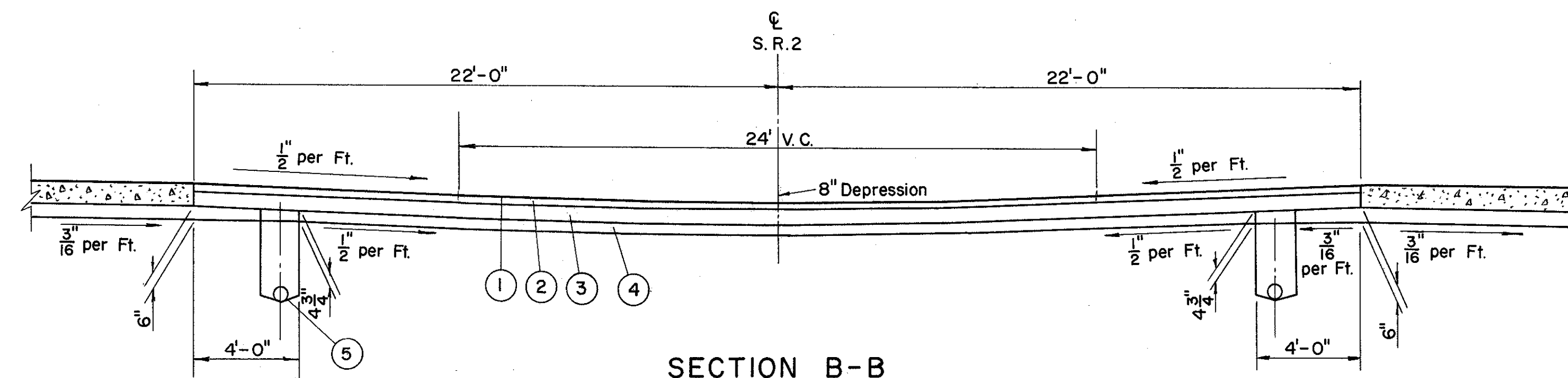


NOTE: Catch Basin to be placed where required by grade of roadway and slope of median.

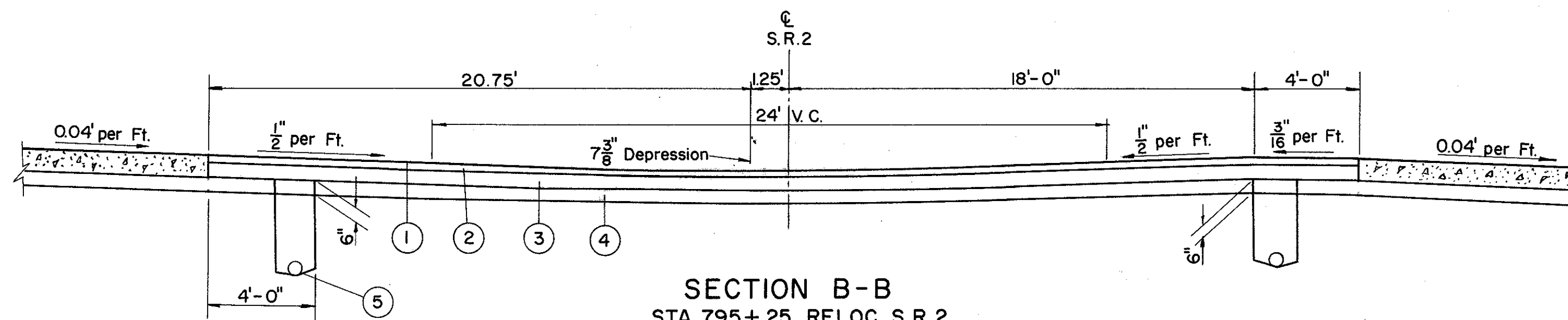
PLAN
SCALE 1" = 20'-0"



SECTION A-A
SCALE 1/4" = 1'-0"



SECTION B-B
STA. 860+50 RELOC. S.R. 2
SCALE 1/4" = 1'-0"



SECTION B-B
STA. 795+25 RELOC. S.R. 2
SCALE 1/4" = 1'-0"

- ① T-31 Bituminous Surface Treatment using 0.008 C.Y. No. 6 Aggregate and 0.25 Gal. Bit. Matl. per S.Y., (See note in proposal)
- * ② B-21 3" Waterproofed Aggregate Base Course, Type "A" T-35 Material may be used in construction of this Course, See note in proposal
- ③ B-112 7" Porous Base Course
- ④ I-22 Variable Depth Subbase, Grading A or B, Modified as per General Notes
- ⑤ I-1 6" Pipe, Class I-3

*NOTE: Thickness shown is designed thickness as described in Section B-21.01.