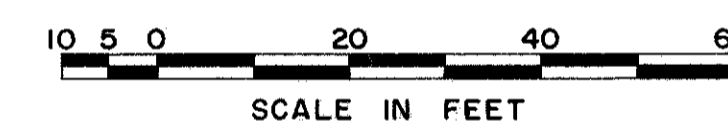
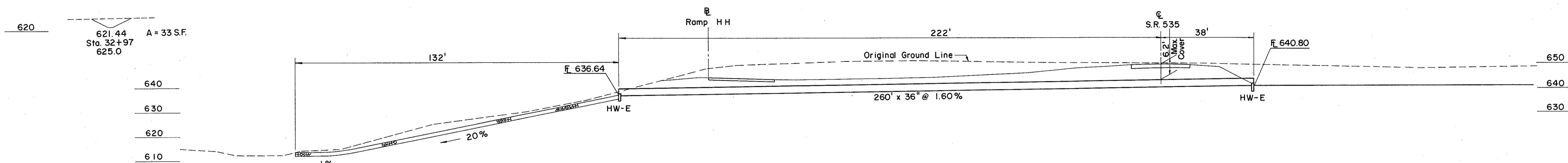


610	613.50 Sta. 33+53 613.5	A = 0 S.F.	620	629.04 Sta. 32+59 630.0	A = 4 S.F.
610	613.53 Sta. 33+51 614.0	A = 2 S.F.	630	634.04 Sta. 32+34 635.0	A = 4 S.F.
610	613.84 Sta. 33+35 615.0	A = 5 S.F.	630	636.44 Sta. 32+22 638.0	A = 8 S.F.
620	621.44 Sta. 32+97 625.0	A = 33 S.F.			



Area = 51 Acres
Q₅₀ = 52 C.F.S.

FOR ADDITIONAL DETAILS
SEE SHEETS 169, 177 & 223
DUMPED ROCK, SECTION B-B
SEE SHEET 223
S = 2:1 B.W. = 2' D = 0.75'



CULVERT DATA

TYPE: Pipe culvert with HW-E lt. & rt.
SIZE: 36" x 260'
WORK REQUIRED: Build a 36" pipe culvert with HW-E headwalls lt. & rt. Place sodding around headwalls and construct channel on it as shown. Connect 12" pipe from S.R. 535 as detailed.

ESTIMATED QUANTITIES

E-3	Channel Excavation	62 C.Y.
L-10	Sodding	4 S.Y.
I-1	36" Pipe Class A-1, Sec. M-6.6 (a) or Sec. M-6.8 (b)	260 L.F.
I-2	Masonry (Headwalls)	1.18 C.Y.
I-10	Dumped Rock for Channel Protection	68 C.Y.
I-5	Pipe Special 12" x 36" Tee	1 Ea.
	For Class A-1, Sec. M-6.6 (a) or Sec. M-6.8 (b)	