

SEEDING  
END SQ.  
WIDTH YDS.

100 80 60 40 20 0 20 40 60 80 100

PLAN NO.	DATE	PROJECT
2	CHD	

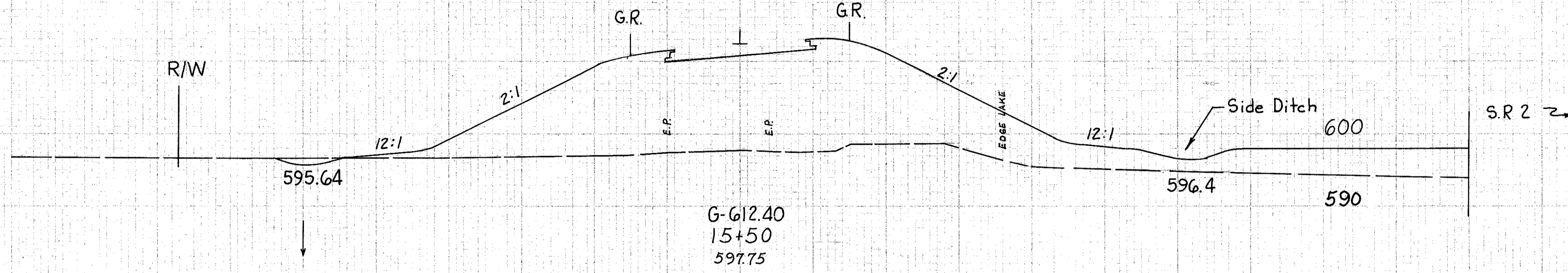
155  
313

LAKE COUNTY  
LAK - 2 - 16.49

END AREA  
CUT FILL

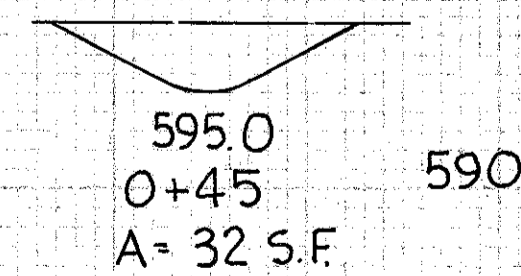
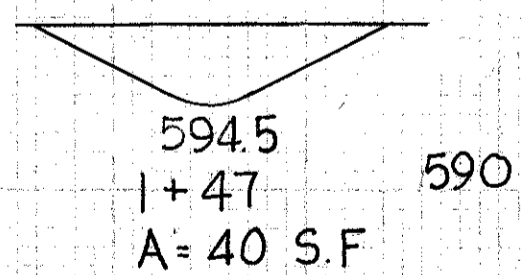
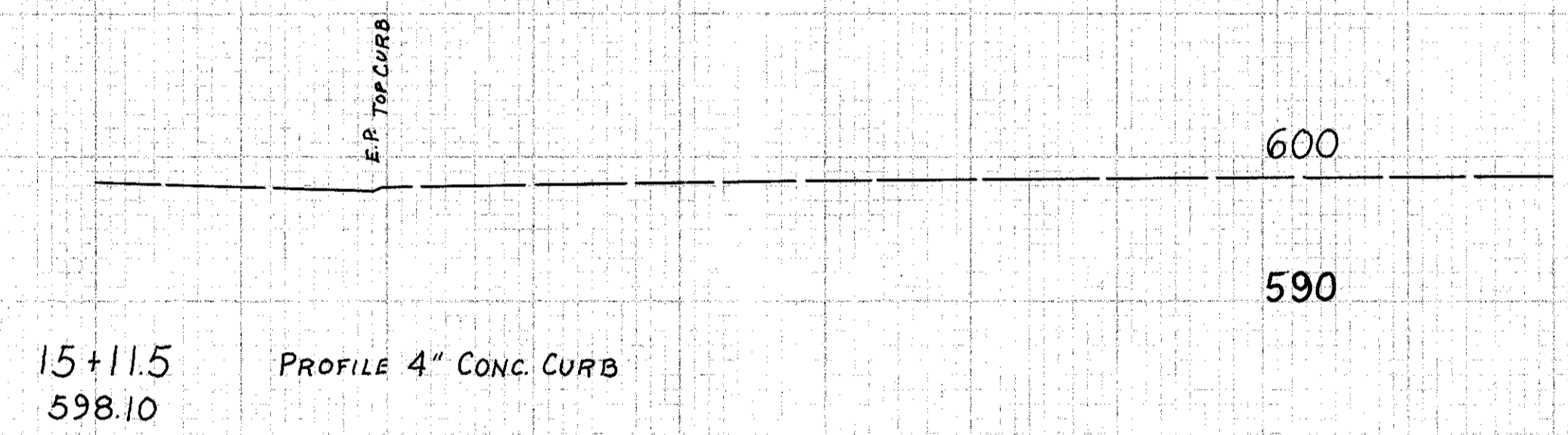
END AREA		VOLUME	
CUT	FILL	CUT	FILL
		61071	
		401474	
		37521	55809
		22353	

152



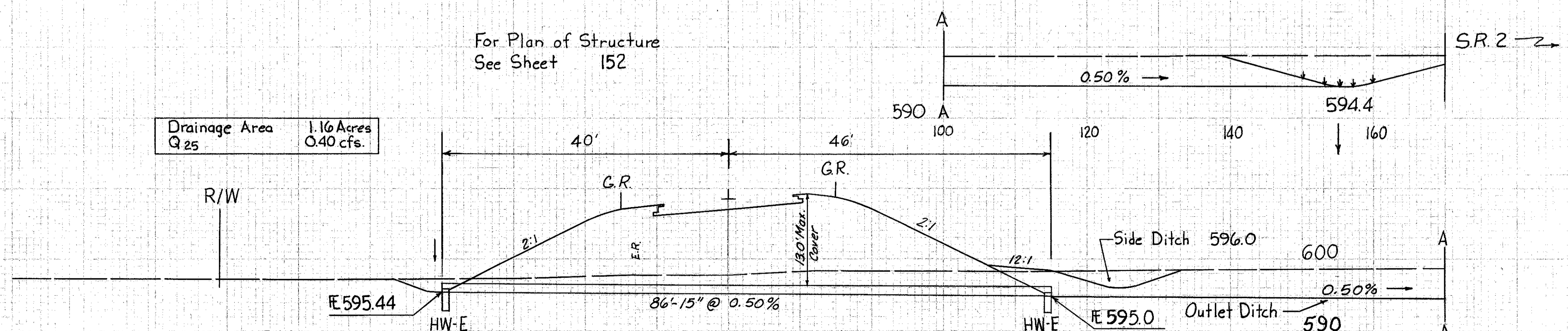
G-612.40  
15+50  
597.75

694



Drainage Area 1.16 Acres  
Q<sub>25</sub> 0.40 cfs.

For Plan of Structure  
See Sheet 152



**ESTIMATED QUANTITIES**  
E-3 Channel Excavation 146 C.Y. 15+00  
I-1 15" Pipe Class A-1 Sec. M-6.4(d), 6.6(b) or 6.8(b) 86 L.F. 5977  
I-2 Masonry (2- HW-E) 0.52 C.Y.  
L-10 Sodding 3.5 S.Y.

**CULVERT DATA**  
Type: Pipe Culvert with HW-E Headwalls Rt & Lt.  
Size: 15" x 86'  
Work Required: Build a 15" pipe culvert and Excavate channel on rt. as shown.

98

522

90

Sta. 14+50

100 80 60 40 20 0 20 40 60 80 100

RELOCATION RIVER ROAD Sta. 15+00 to 15+50