

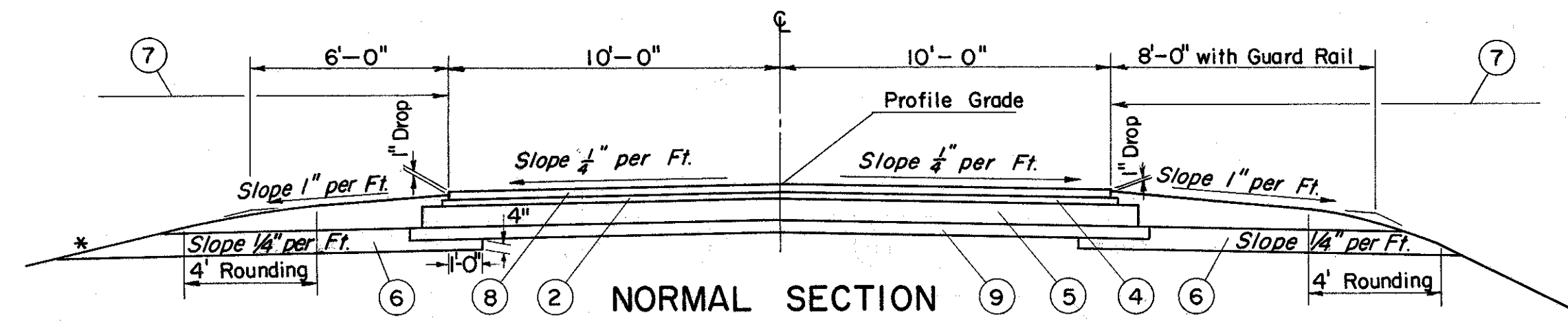
TYPICAL SECTIONS

TYPE T-35 & B-19

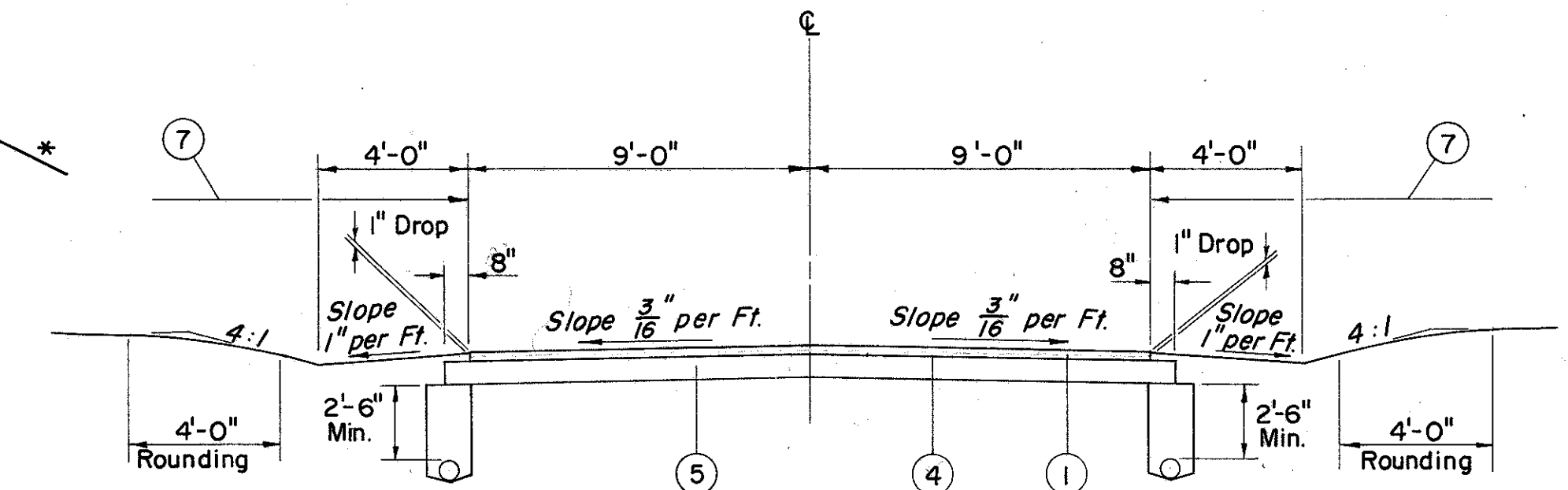
FED. RD. DIVISION	STATE	PROJECT
2	OHIO	

11
313

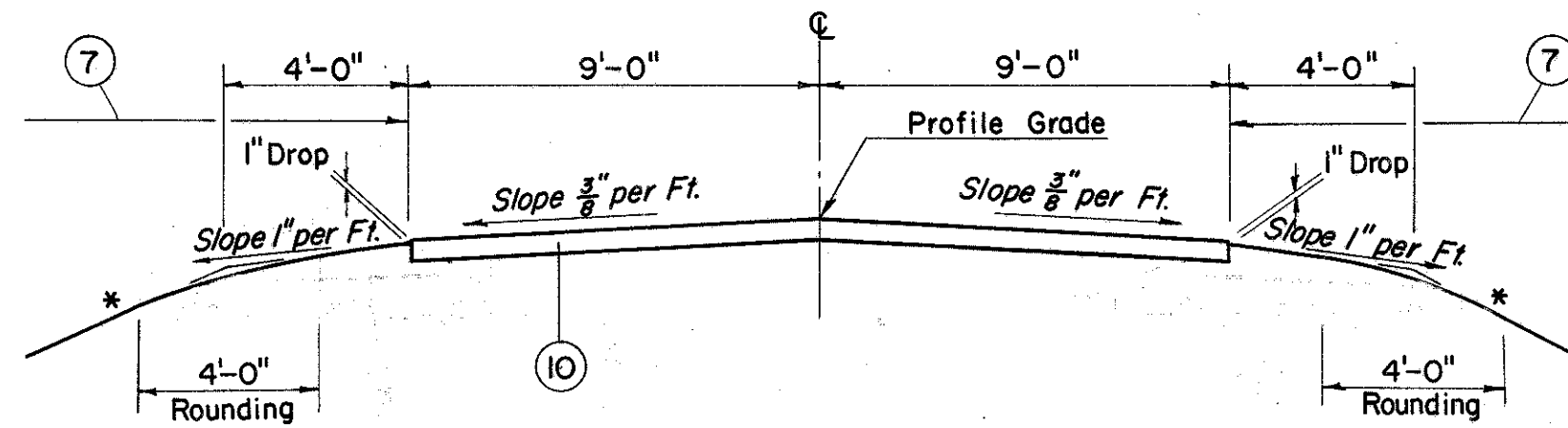
LAKE COUNTY
LAK-2-16.49



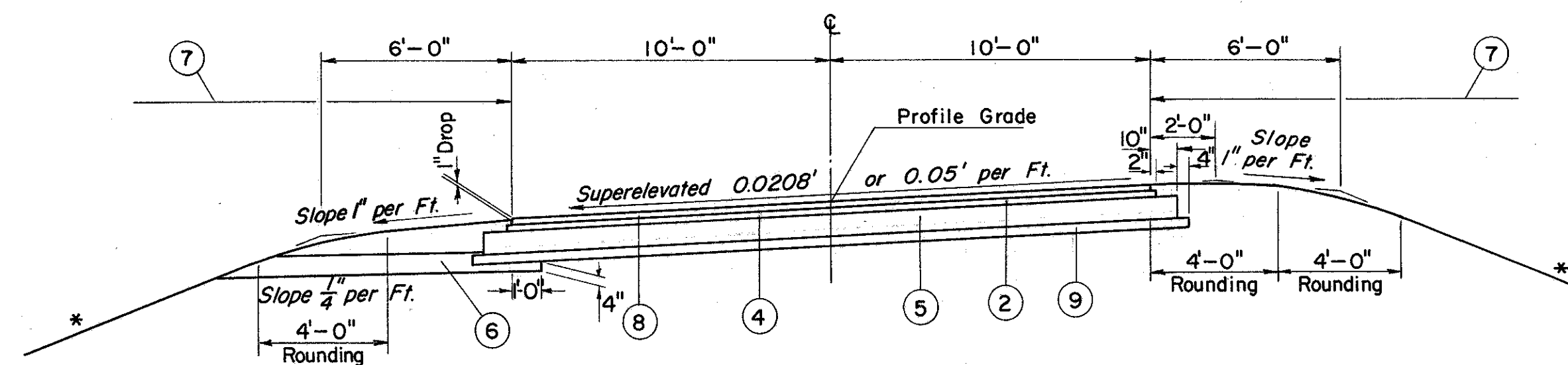
NORMAL SECTION
LIMITING STATIONS
FRONTAGE ROAD "B"
(VARIABLE WIDTH) STA. 53 + 52.44 TO STA. 54 + 50
STA. 54 + 50.00 TO STA. 62 + 65.00
(TRANSITION) STA. 62 + 65 TO STA. 64 + 50.00
(TRANSITION) STA. 73 + 69 TO STA. 75 + 55
STA. 75 + 55 TO STA. 82 + 00
(TRANSITION) STA. 82 + 00 TO STA. 83 + 75
(TRANSITION) STA. 94 + 00 TO STA. 97 + 25
(VARIABLE WIDTH) STA. 102 + 57 TO STA. 103 + 23.42



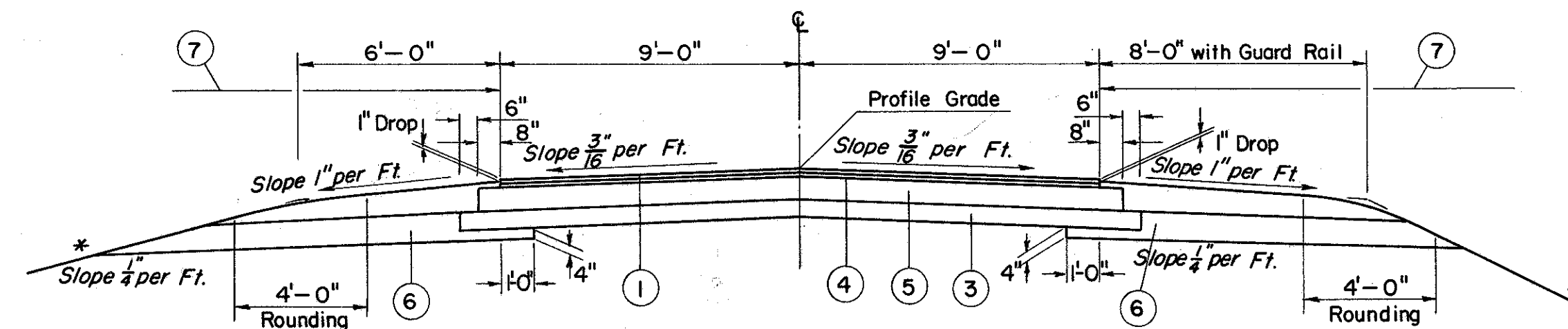
NORMAL SECTION
LIMITING STATIONS
RELOCATION SPRING LAKES BLVD.
(VARIABLE WIDTH) STA. 0 + 21.00 TO STA. 0 + 60.00
STA. 0 + 60.00
(VARIABLE WIDTH) STA. 0 + 60.00 TO STA. 1 + 00.23



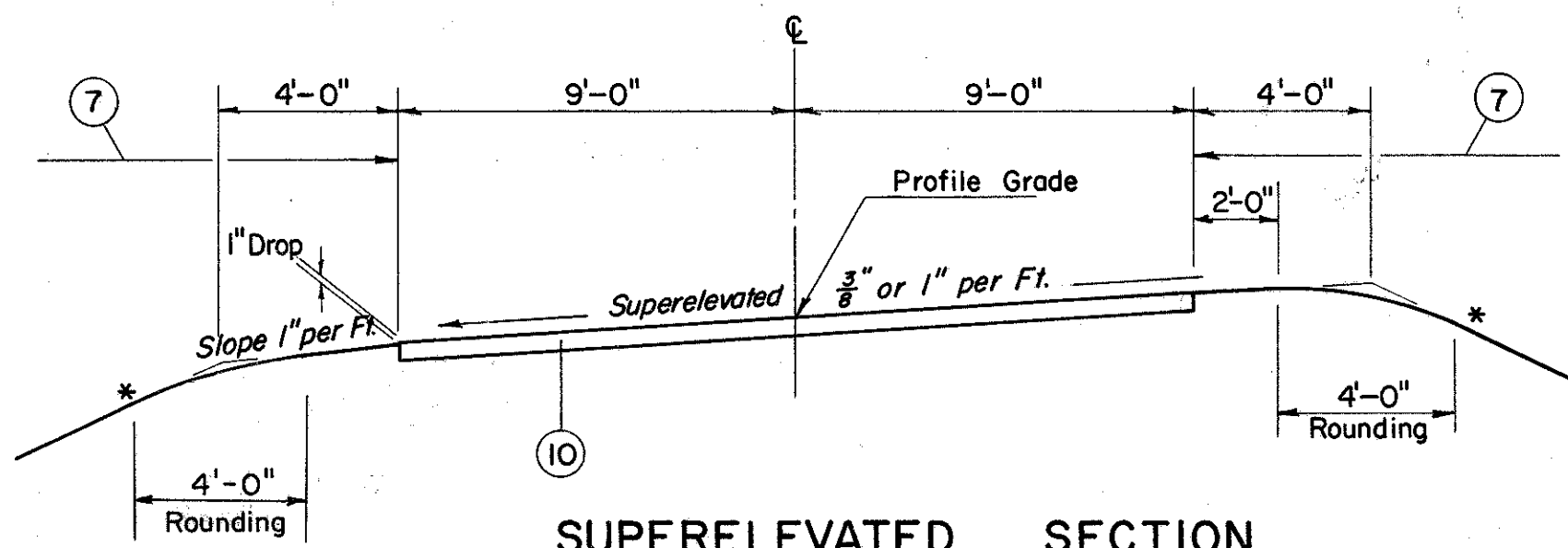
NORMAL SECTION
LIMITING STATIONS
FRONTAGE ROAD "A"
(VARIABLE WIDTH) STA. 17 + 02.17 TO STA. 17 + 43.17
STA. 17 + 43.17 TO STA. 17 + 75.00
(TRANSITION) STA. 17 + 75.00 TO STA. 18 + 75.00
(TRANSITION) STA. 22 + 05.00 TO STA. 24 + 75.00
(TRANSITION) STA. 26 + 75.00 TO STA. 28 + 50.00
STA. 28 + 50.00 TO STA. 43 + 50.00
(TRANSITION) STA. 43 + 50.00 TO STA. 44 + 50.00
(TRANSITION) STA. 47 + 00.00 TO STA. 48 + 00.00
STA. 48 + 00.00 TO STA. 51 + 50.00
(VARIABLE WIDTH) STA. 51 + 50.00 TO STA. 52 + 33.13



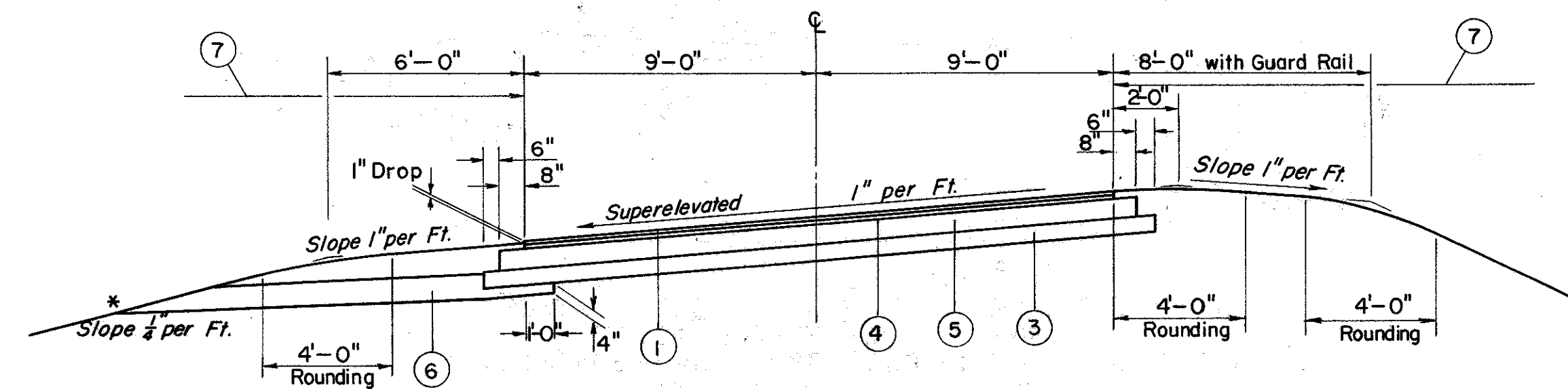
SUPERELEVATED SECTION
LIMITING STATIONS
FRONTAGE ROAD "B"
STA. 64 + 50.00 TO STA. 73 + 69.00 SUPERELEVATE 0.05' per Ft.
STA. 83 + 75.00 TO STA. 94 + 00.00 SUPERELEVATE 0.05' per Ft.
STA. 97 + 25.00 TO STA. 102 + 57.00 SUPERELEVATE 0.0208' per Ft.



NORMAL SECTION
LIMITING STATIONS
RELOCATION OF RIVER ROAD
FOR STATIONS SEE BELOW



SUPERELEVATED SECTION
LIMITING STATIONS
FRONTAGE ROAD "A"
STA. 18 + 75.00 TO STA. 22 + 05.00 SUPERELEVATE 1" per Ft.
STA. 24 + 75.00 TO STA. 26 + 75.00 SUPERELEVATE 1" per Ft.
STA. 44 + 50.00 TO STA. 47 + 00.00 SUPERELEVATE 3/8" per Ft.



SUPERELEVATED SECTION
LIMITING STATIONS
RELOCATION OF RIVER ROAD
(TRANSITION) STA. 13 + 00.00 TO STA. 19 + 37.88
(VARIABLE WIDTH) STA. 19 + 37.88 TO STA. 19 + 87.88
FULL SUPER OCCURS ONLY AT STA. 15 + 00 AND STA. 18 + 00

LEGEND

- ⊙ 1 T-35 2 1/2" Asphaltic Concrete Surface Course, Type "A" (70-85) laid in 2-1 1/4" Courses.
- ⊙ 2 B-35 1 3/4" Asphaltic Concrete Leveling Course (70-85)
- ⊙ 3 I-22 6" Subbase, Grading A or B, (Modified as per General Note)
- ⊙ 4 T-30 Bituminous Prime Coat Sec. M-5.7, RT-2 or RT-3 Applied at the rate of 0.4 Gal. per S.Y.
- ⊙ 5 B-19 8" Aggregate Base Course
- ⊙ 6 I-9 Stone Underdrain No. 2, (See General Notes)
- ⊙ 7 L-9 Seeding and Protecting
- ⊙ 8 T-35 3" Asphaltic Concrete Surface Course, Type "A" (70-85) laid in two Courses, the Lower Course @ 1 1/2" and the Upper Course @ 1 1/4".
- ⊙ 9 I-22 4" Subbase, Grading A or B, Modified as per General Note.
- ⊙ 10 B-19 5" Aggregate Base Course, using 1 lb. Calcium Chloride per S.Y. (See Note in Proposal)

* NOTE: See Standard Construction Drawing No. RI-1, Roadway Items, for Normal Slope, Guard Rail and Ditch Design.
⊙ NOTE: Thickness Shown is Designed Thickness as Described in Section B-21.01, T-35.01 and B-35.01