

TYPICAL SECTIONS

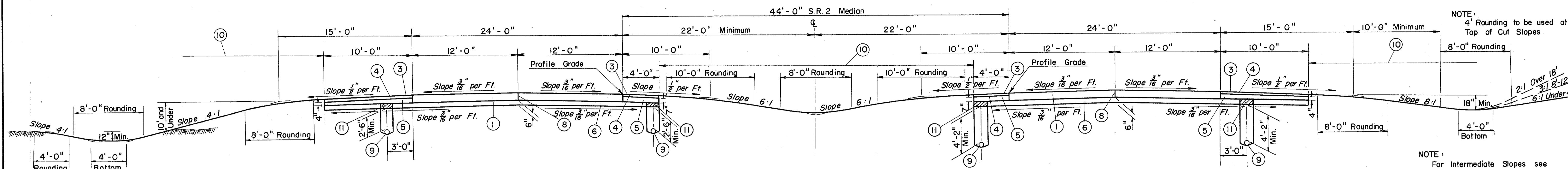
TYPE T-71

FED. RD. DIVISION	STATE	PROJECT	6 313
2	OHIO		

LAKE COUNTY
LAK-2-16.49

FILL

CUT

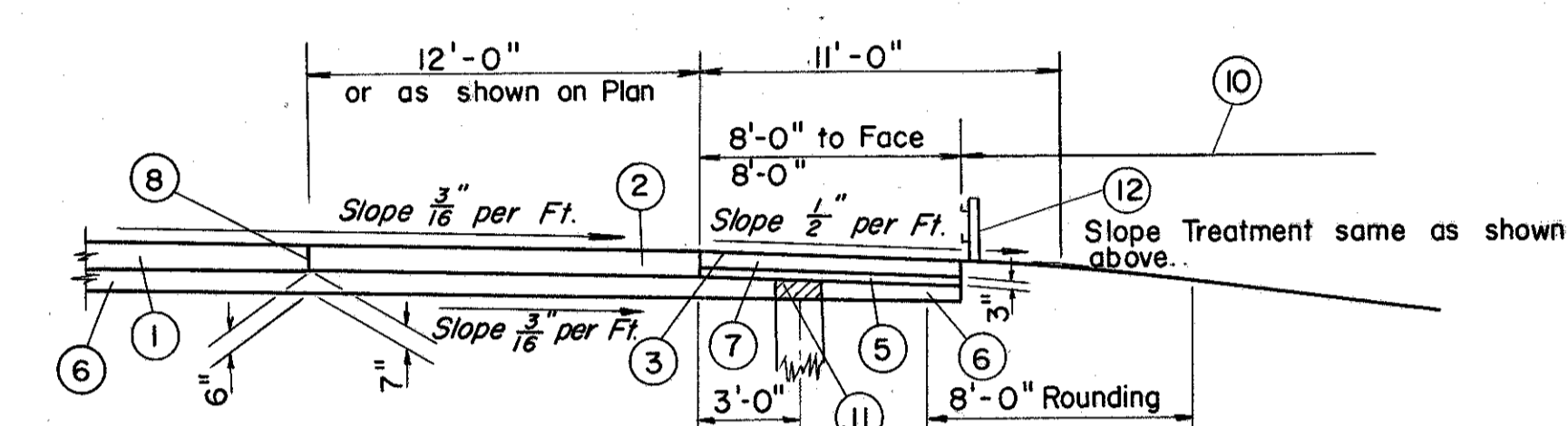


NORMAL SECTION

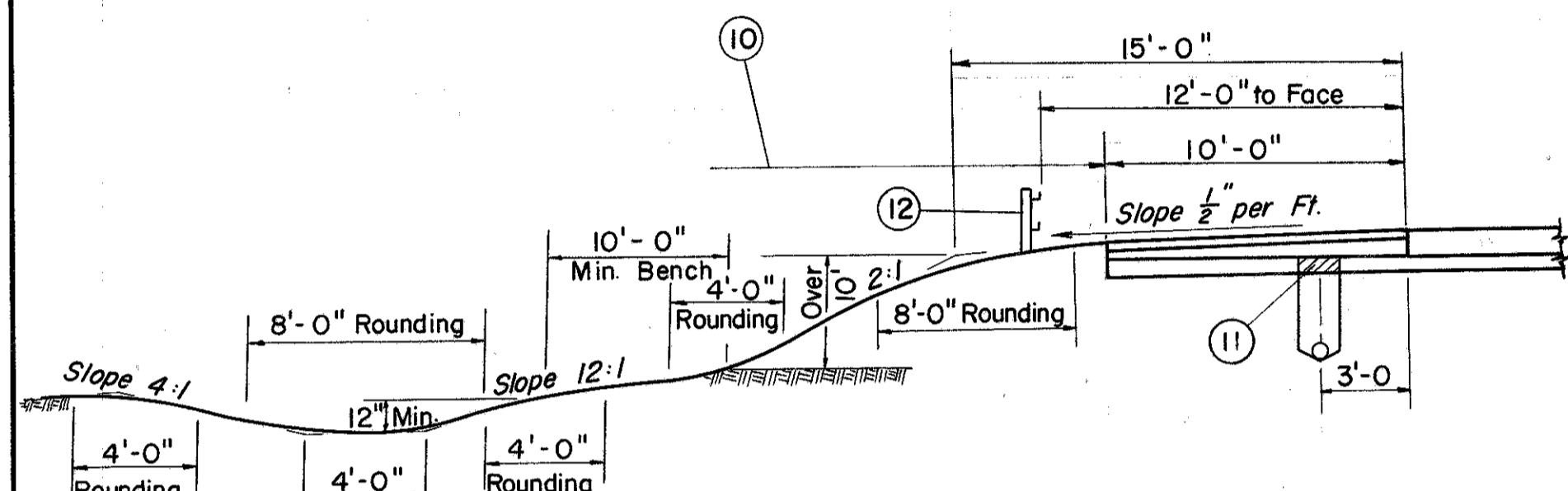
LIMITING STATIONS

STA. 770+62.00 TO STA. 771+78.61 — STRUCTURE NO. LAK-2-1652
 STA. 774+93.39 TO STA. 777+75.00 — CONTAINS EQUATION
 (TRANSITION) STA. 777+75.00 TO STA. 780+00.00 — CONTAINS EQUATION
 (TRANSITION) STA. 805+75.00 TO STA. 808+00.00 — CONTAINS EQUATION
 STA. 808+00.00 TO STA. 813+73.94 — STRUCTURE NO. LAK-2-1731
 * STA. 814+46.06 TO STA. 850+80.12 — STRUCTURE NO. LAK-2-1801
 STA. 852+91.14 TO STA. 859+35.97
 (TRANSITION) STA. 859+35.97 TO STA. 864+10.97

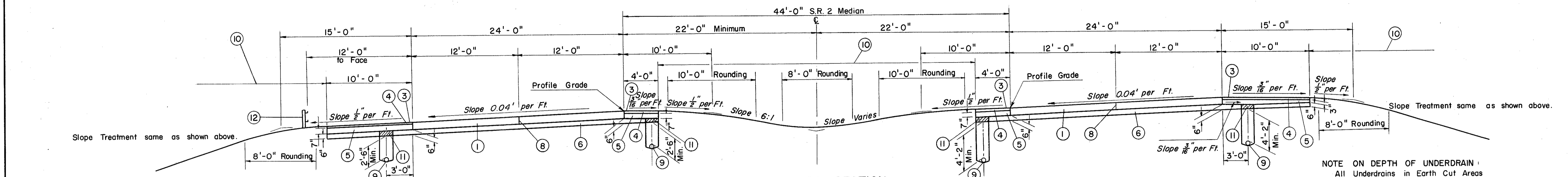
* Note: Sta. 817+40 To Sta. 834+50, Use 18" Depth Subbase as Shown on Cross Sections.



NORMAL SECTION WITH SPEED CHANGE LANE



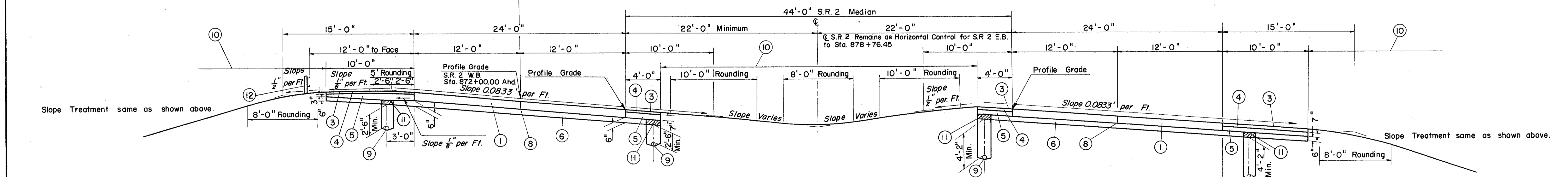
NORMAL SECTION WITH GUARD RAIL



SUPERELEVATED SECTION

LIMITING STATIONS

STA. 780+00.00 TO STA. 805+75.00 — CONTAINS EQUATION



SUPERELEVATED SECTION

LIMITING STATIONS

STA. 864+10.97 TO STA. 872+00.00 W.B. LANE
 For Typical Section of E.B. & W.B. Lanes
 Sta. 872+00.00 Ahead See Sheet 7
 SCALE: 3/16" = 1'-0"

- ** Note: Thickness shown is designed thickness as described in Section B-21.01
- LEGEND**
- ① T-71 10" Reinforced Portland Cement Concrete Pavement
 - ② T-71 9" Reinforced Portland Cement Concrete Pavement
 - ③ T-31 Bituminous Surface Treatment using 0.008 C.Y. No. 6 Aggregate and 0.25 Gal. Bit. Mat'l. per S.Y. (See note on proposal)
 - ** ④ B-21 3" Waterproofed Aggregate Base Course, Type "A" T-35 Material may be used in construction of this Course. - See note on proposal
 - ⑤ B-112 Porous Base Course
 - ⑥ I-22 Variable Depth Subbase, Grading A or B, modified as per General note.
 - ** ⑦ B-21 6" Waterproofed Aggregate Base Course, Type "A" T-35 Material may be used in construction of this Course. - See note on proposal
 - ⑧ Standard Longitudinal Joint
 - ⑨ I-1 6" Pipe, Class I-3
 - ⑩ L-9 Seeding and Protecting
 - ⑪ Remove Subbase for width of Item I-1 and replace with Type 3 Backfill immediately prior to placing the Item B-112 Porous Base Course. Cost shall be included in price bid per Lin. Ft. for Item I-1.
 - ⑫ I-15 Guard Rail

TYPICAL - MAINLINE