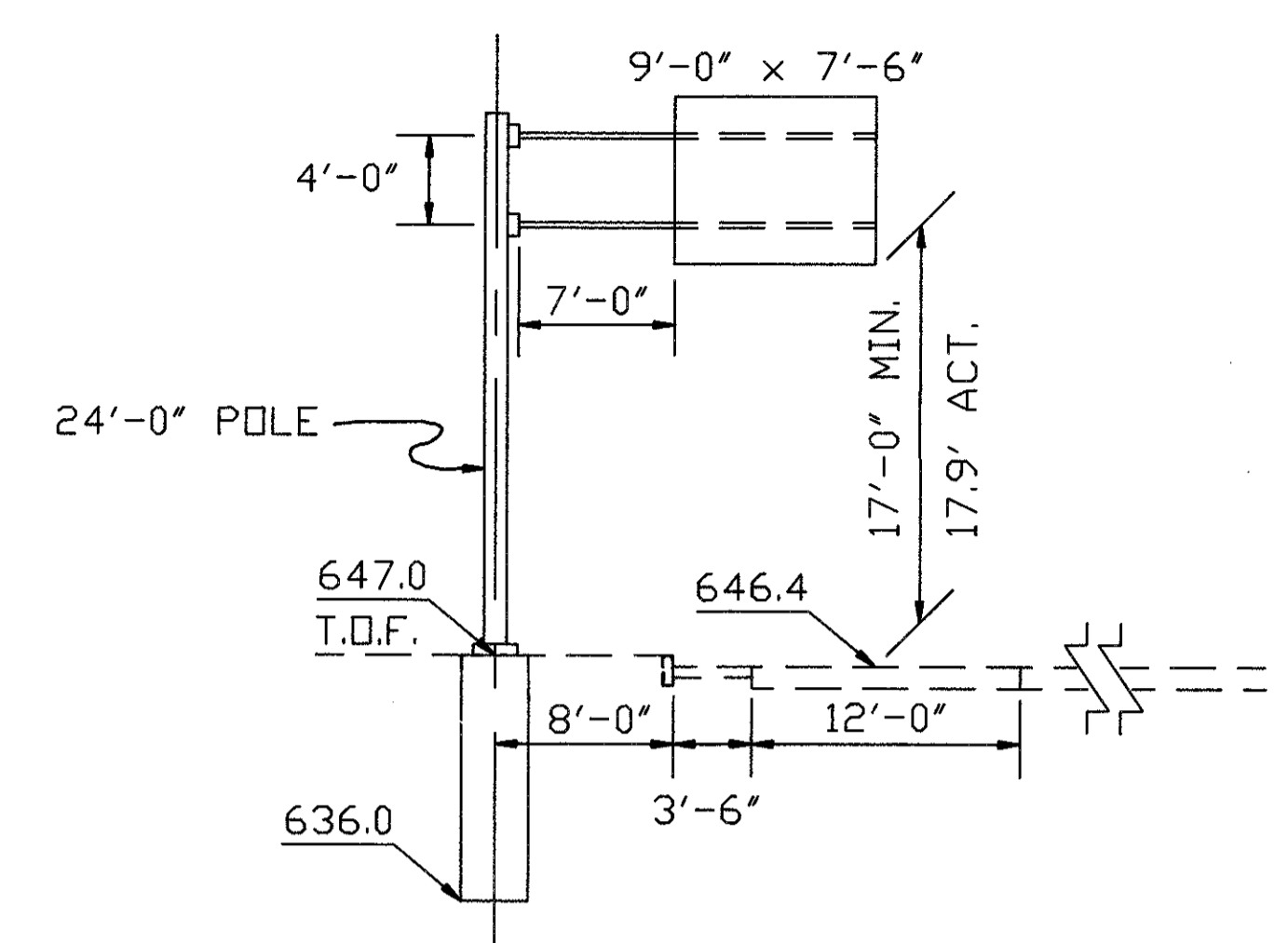
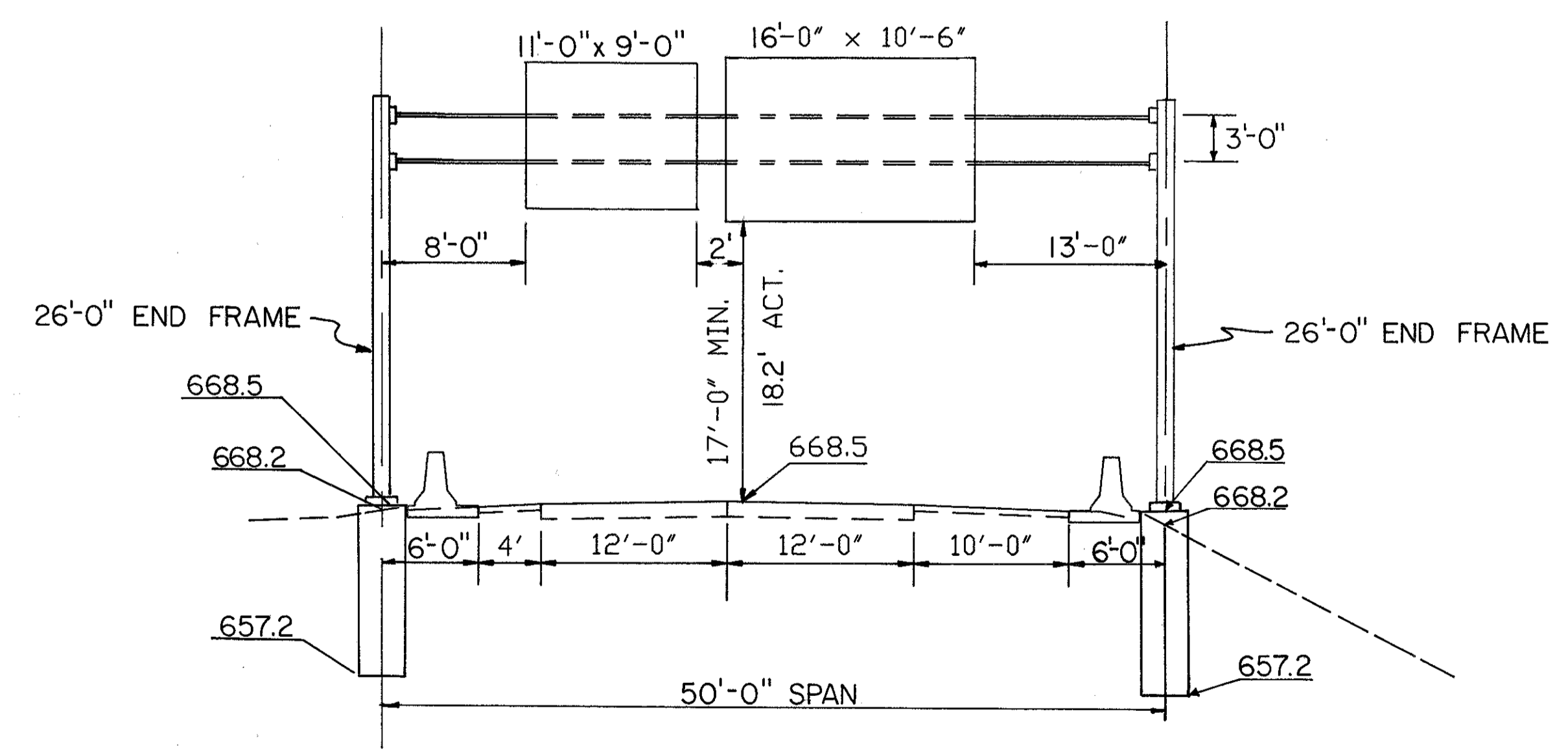


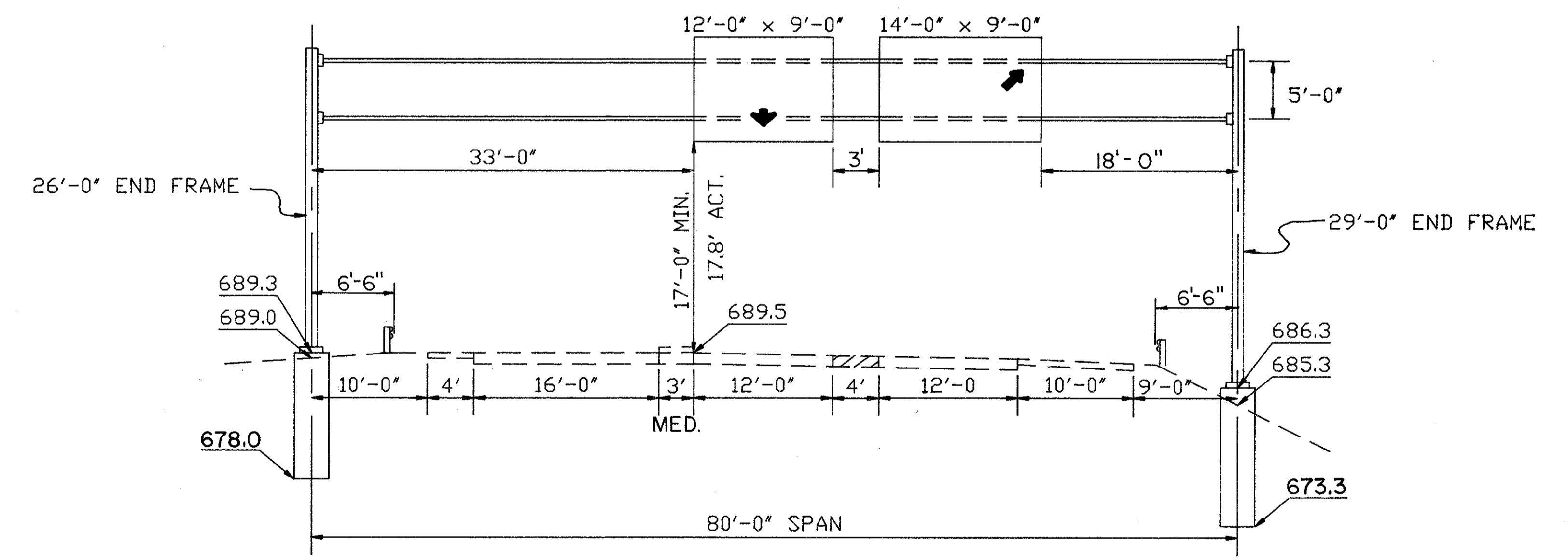
OVERHEAD SIGN NO. 319  
 STA. 37+50 S.R. 535 (FAIRPORT NURSERY RD.), RT.  
 TYPE 12.30 DES.# 4



OVERHEAD SIGN NO. 320  
 STA. 38+65 S.R. 535 (FAIRPORT NURSERY RD.), RT.  
 TYPE 12.30 DES.# 3



OVERHEAD SIGN NO. 321  
 STA. 852+65 S.R. 2 (E.B.)  
 TYPE 7.65 DES.# 6



OVERHEAD SIGN NO. 322  
 STA. 890+58 S.R. 2 (W.B.)  
 TYPE 7.65 DES.# 8