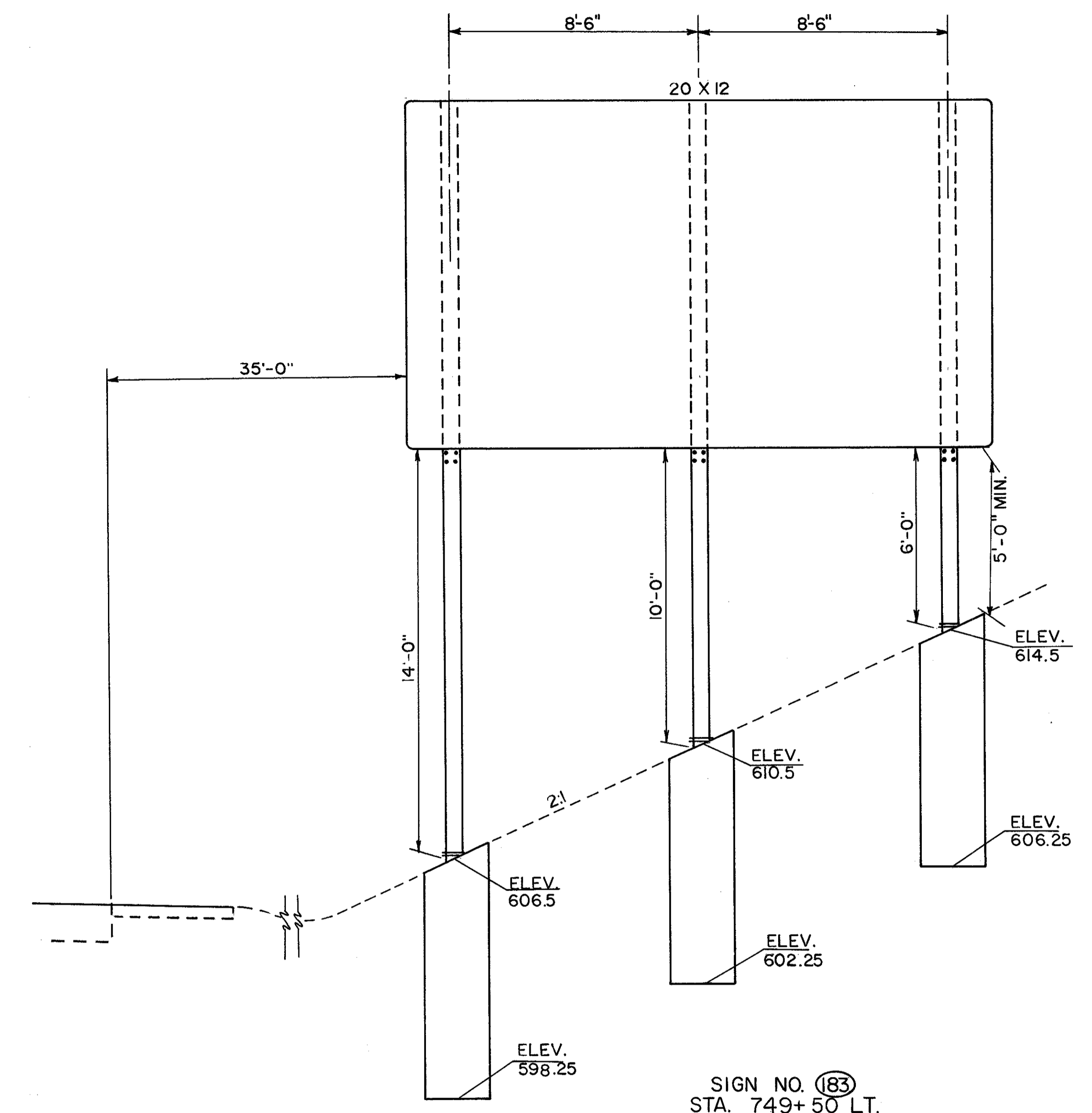


SIGN NO. (177)  
STA. 720+15 LT.  
THREE BEAMS (W12 X 30)



SIGN NO. (183)  
STA. 749+50 LT.  
THREE BEAMS (W12 X 30)  
(Breakaway)