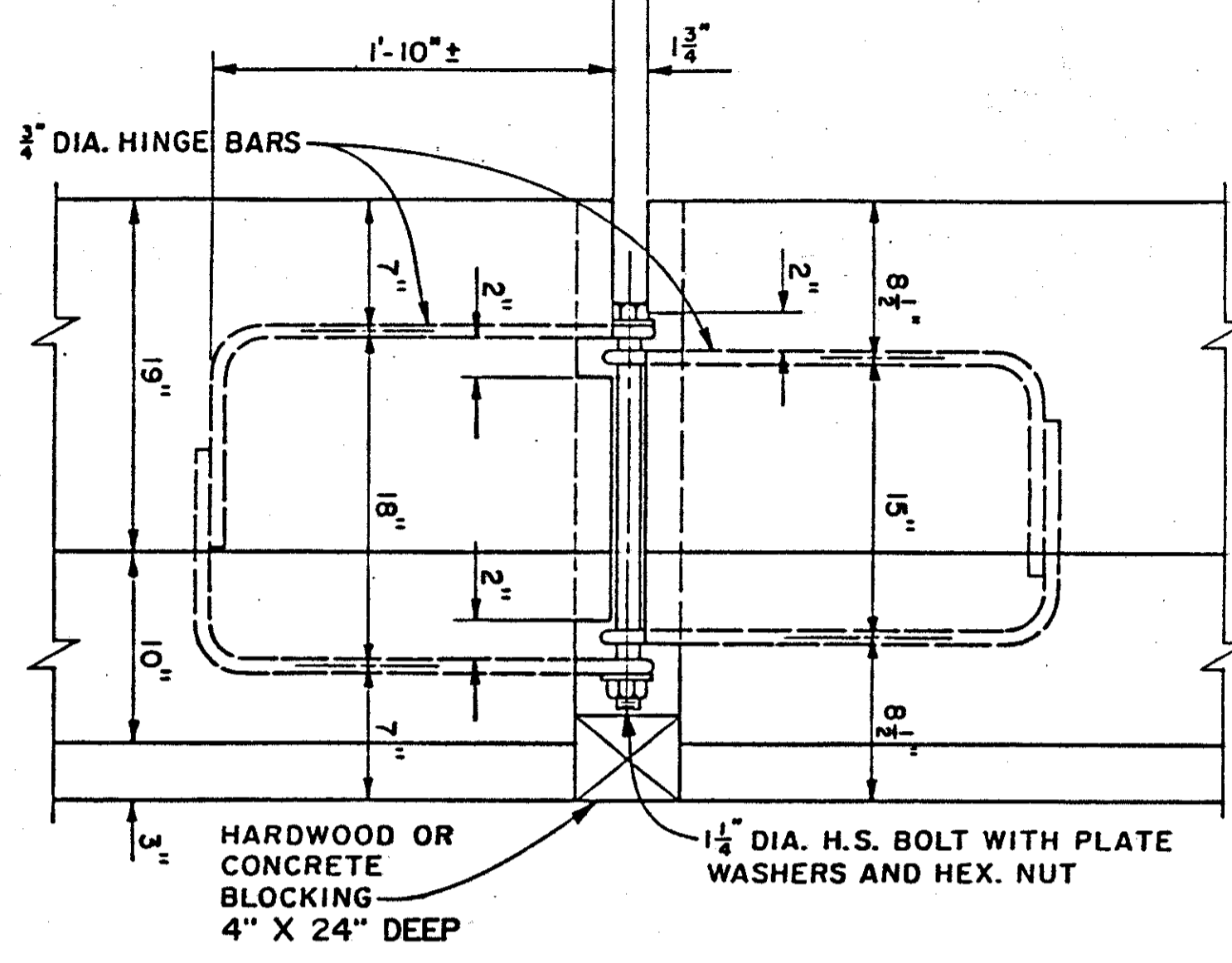


**TYPE BRD
BARRIER SECTIONS**

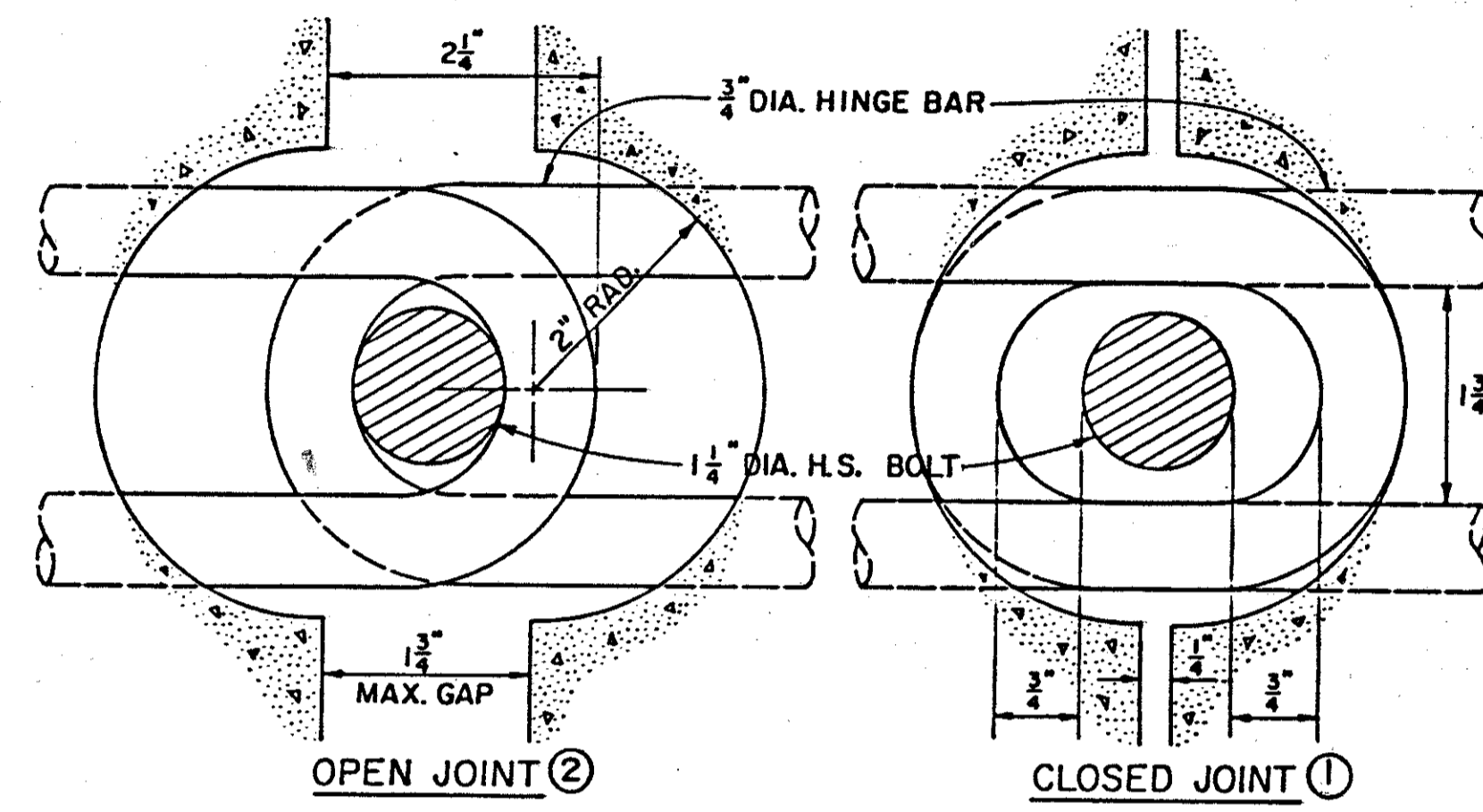
NOTE TO CONTRACTOR

← THIS END COMPATIBLE WITH SOME ROADWAY BARRIER SECTIONS

THIS END NOT COMPATIBLE WITH ROADWAY BARRIER SECTIONS →



- MATERIAL REQUIREMENTS:**
1. THE CONCRETE SHALL HAVE A MINIMUM COMPRESSIVE STRENGTH OF 4000 PSI.
 2. ALL REINFORCED STEEL AND STEEL ROD CONNECTING LOOPS SHALL BE GRADE 60 REINFORCED STEEL WITH A MINIMUM YIELD STRENGTH OF 60,000 PSI.



- ② BARRIER JOINTS MUST BE FULLY OPEN BEFORE OPENING IS BLOCKED WITH CONCRETE OR HARDWOOD.
- ① BARRIERS SHOULD INITIALLY BE PLACED CLOSER TOGETHER SO THAT BOLTS CAN BE EASILY INSERTED THROUGH HINGE BAR LOOPS.

COMMON NOTES: ALL TEMPORARY CONCRETE BARRIERS ON STRUCTURES

BRIDGE DECK SURFACE PREPARATION

1. THE BRIDGE DECK SURFACE AREA ON WHICH THE PRECAST CONCRETE BARRIERS WILL REST SHALL BE CLEARED OF ALL LOOSE SAND, GRAVEL, DIRT AND DEBRIS.
2. ANY IRREGULARITIES IN THE BRIDGE DECK AREA, UNLESS JUDGED BY THE ENGINEER TO BE INCONSEQUENTIAL, SHALL BE LEVELED WITH GROUT AND/OR ASPHALT.
3. ASPHALT ROLL ROOFING SHALL BE PLACED ON THOSE BRIDGE DECK AREAS, AS JUDGED BY THE ENGINEER, TO HAVE A SURFACE ROUGHNESS WHICH WOULD INHIBIT FRICTION CONTACT BETWEEN BARRIER SEGMENTS AND DECK.

BOLTED JOINT CONNECTIONS

4. WHEN STANDARD MC-9A BARRIER SECTIONS OR TYPE BRD BARRIER SECTIONS ARE USED ON STRUCTURES, THEY SHALL BE BOLTED TOGETHER AND BLOCKED AS SHOWN ABOVE (BOLTING DIMENSIONS FOR MC-9A BARRIER MAY VARY FROM THOSE SHOWN).

CONCRETE BARRIER, TYPE BRD, ANCHORED

ALL ANCHORS SHALL BE 1" DIAMETER, HIGH STRENGTH, THRU BOLTS OR APPROVED RESIN ANCHORS. WHEN RESIN ANCHORS ARE USED, THEY MUST BE EMBEDDED A MINIMUM OF 6" INTO FIRM CONCRETE. THE NUMBER OF ANCHORS SHALL BE AS SHOWN BELOW AND SHALL BE PLACED SYMMETRICALLY ON THE ROADWAY SIDE OF THE BARRIER.

BRIDGE NO.	TRAFFIC CONTROL PHASE	NO. ANCHORS / 10' SECTION