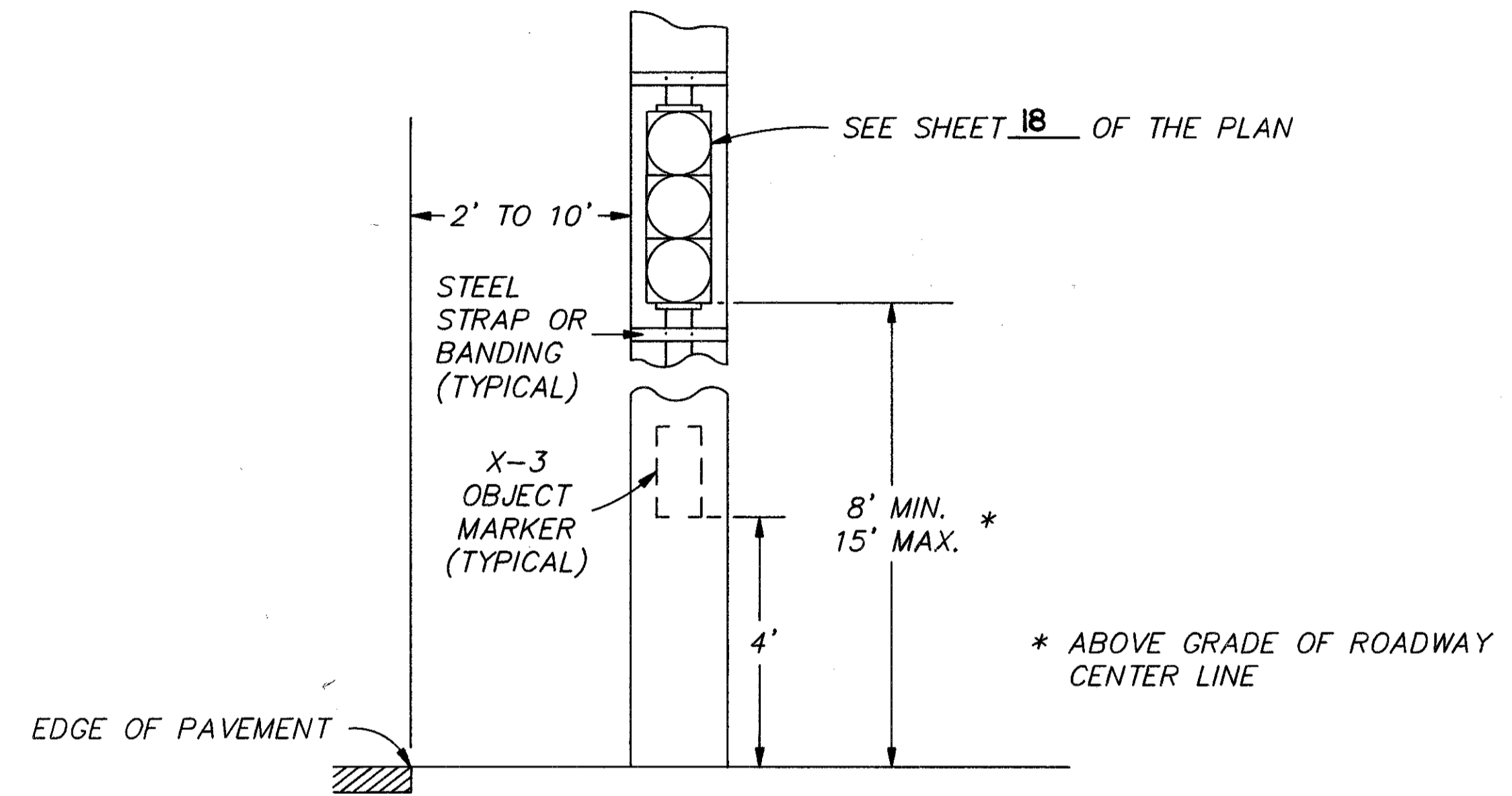
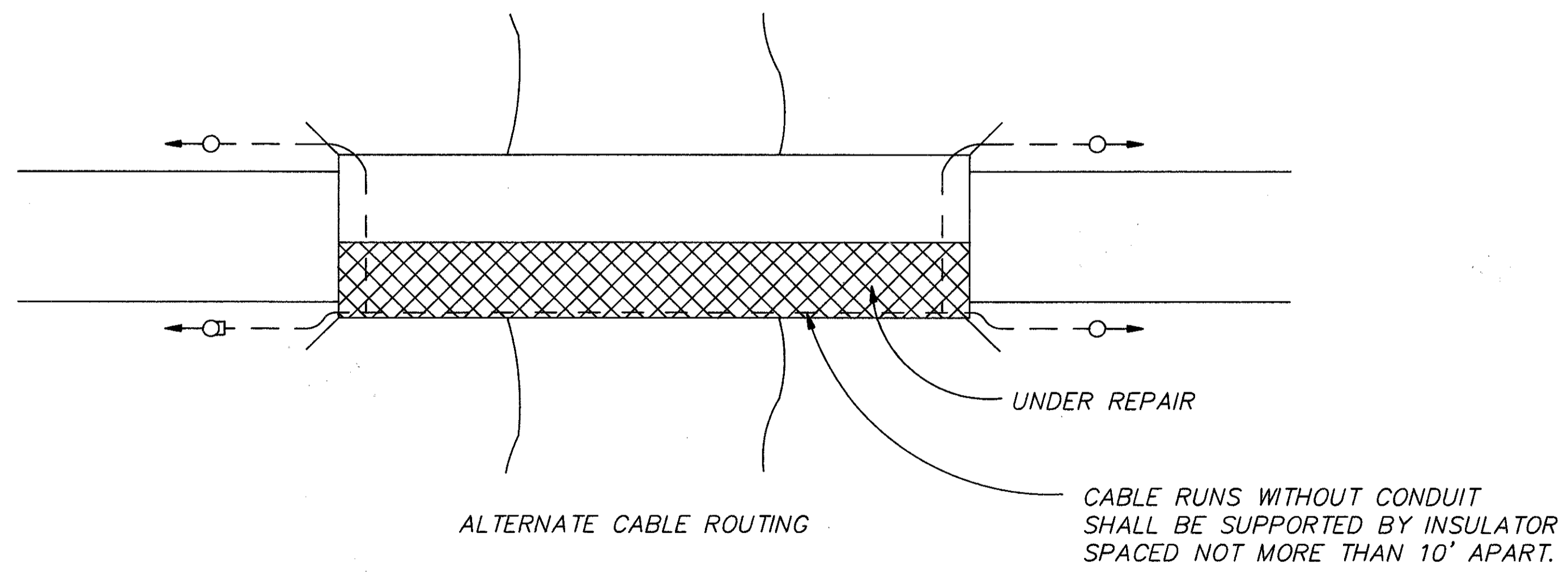


DETAIL "A"



DETAIL "B"

ON BRIDGE PROJECT CABLE MAY ALSO
BE ROUTED UNDER BRIDGE IF PROPERLY
SUPPORTED. SEE DETAIL "C".



DETAIL "C"

TYPICAL SERVICE, LUMINAIRE, SIGNAL HEAD AND CONTROLLER CABINET INSTALLATION

STATE OF OHIO
DEPARTMENT OF TRANSPORTATION

SIGNALIZED CLOSING OF
ONE LANE OF A TWO LANE
HIGHWAY

(B)

DRAWN NO. D3-02B REV: 5-87