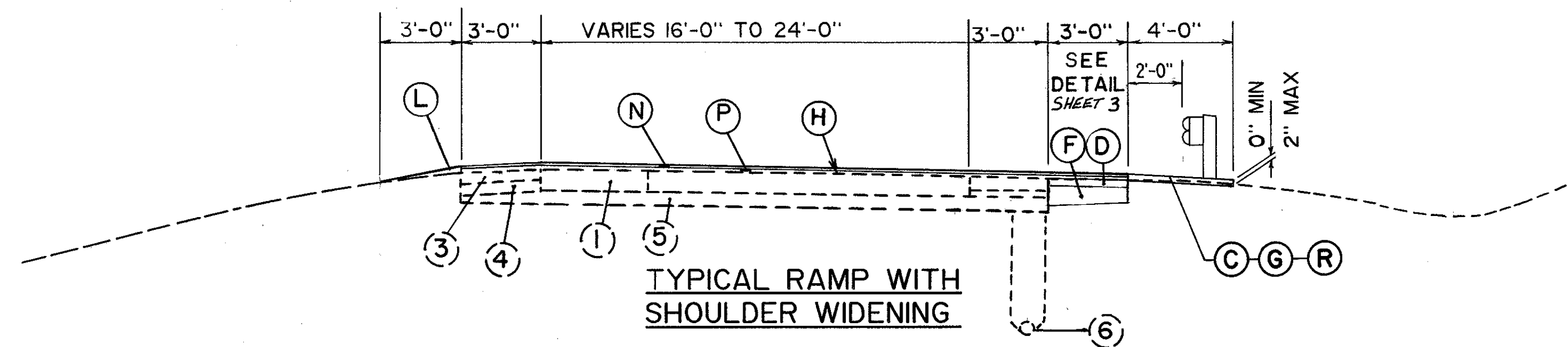
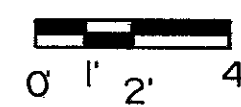


# TYPICAL SECTIONS

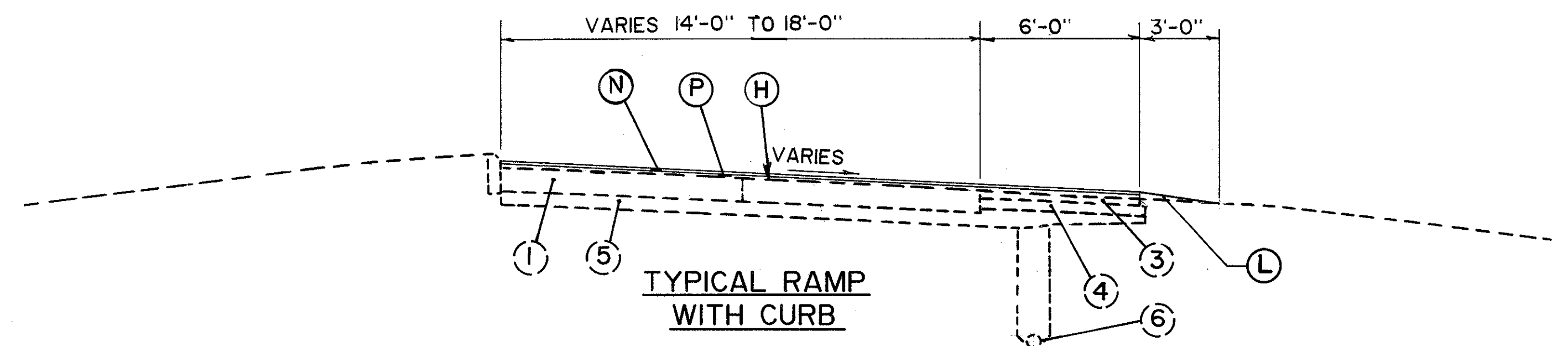
LAKE COUNTY LAK-2-14.38	OHIO FHWA REGION 5 FEDERAL PROJECT	4 138
----------------------------	--	----------

TYPE 446



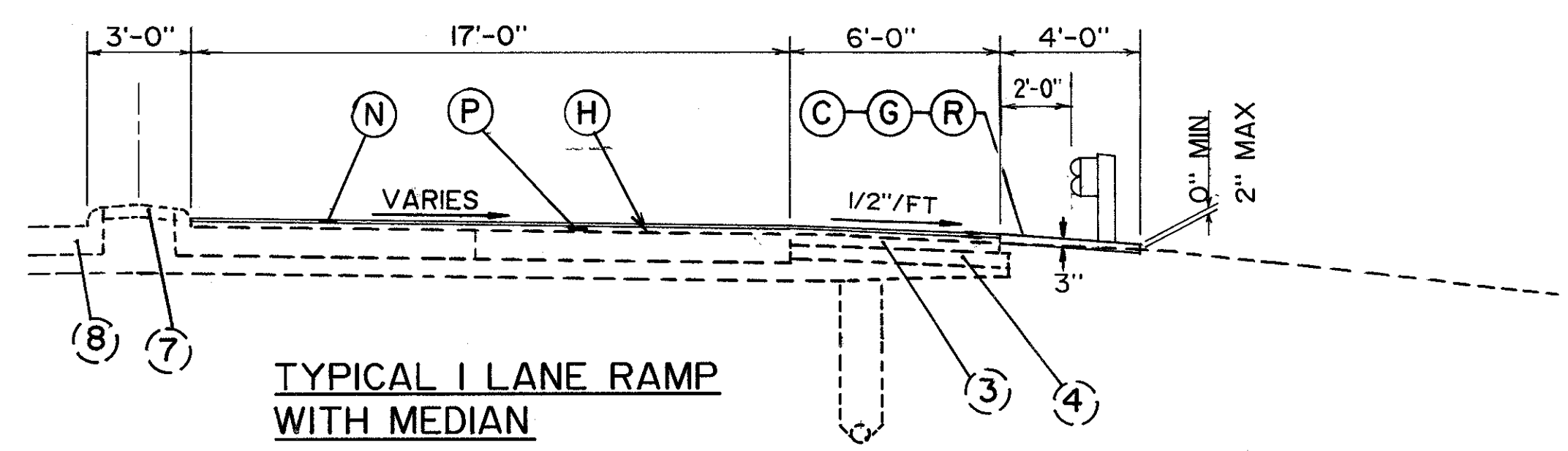
TYPICAL RAMP WITH SHOULDER WIDENING

- RAMP C
- RAMP D
- RAMP E
- RAMP F
- RAMP G
- RAMP H



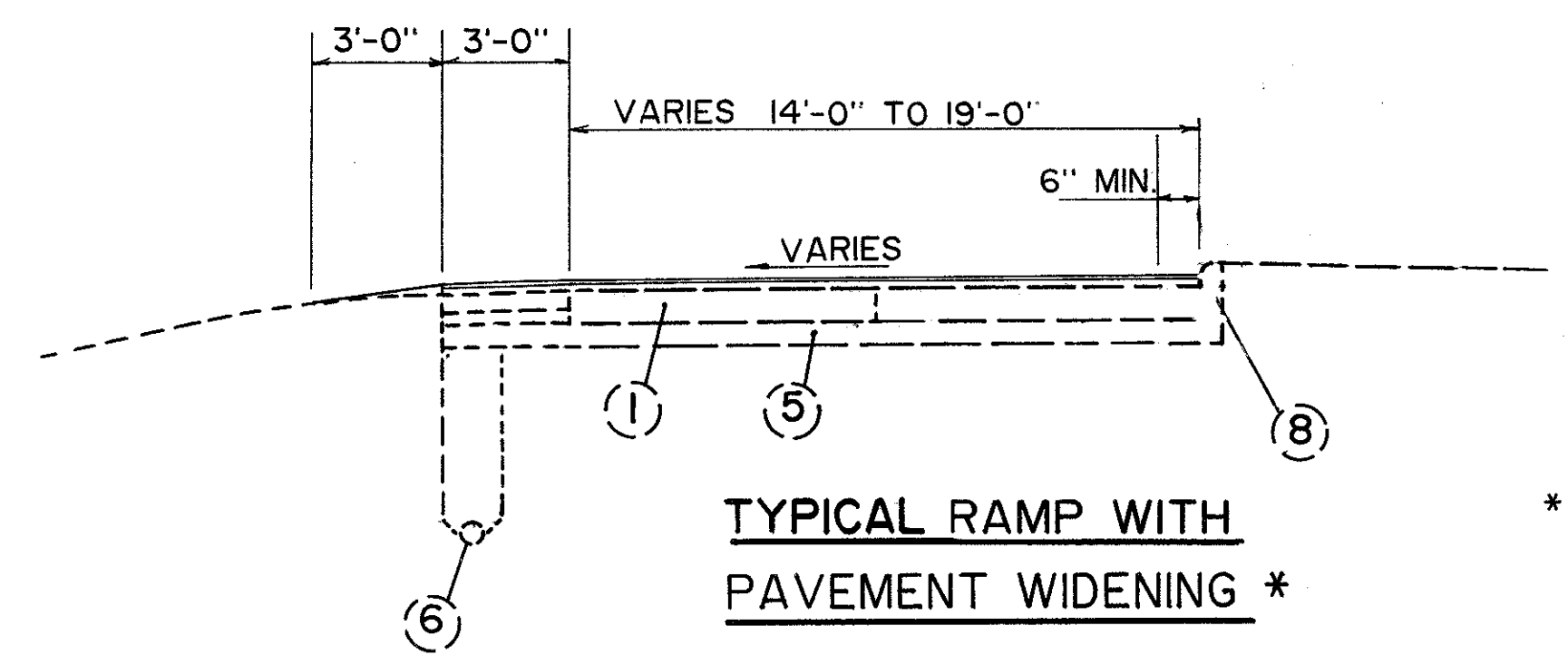
TYPICAL RAMP WITH CURB

RAMP E



TYPICAL 1 LANE RAMP WITH MEDIAN

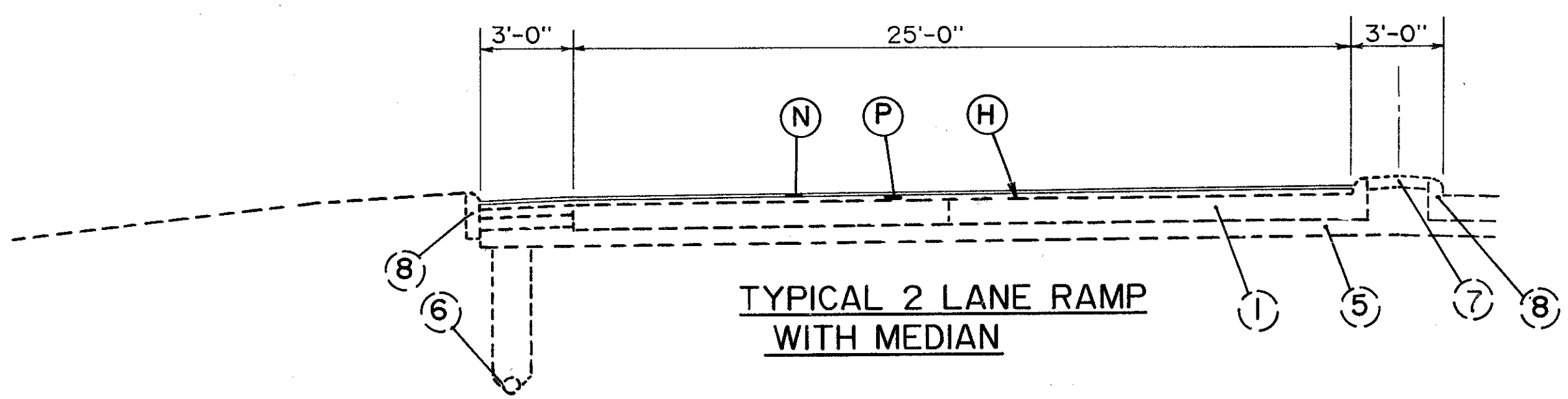
- RAMP C-1
- RAMP C
- RAMP D
- RAMP E
- RAMP F-1
- RAMP F



TYPICAL RAMP WITH PAVEMENT WIDENING \*

RAMP G-1

\* NO WIDENING REQUIRED WHEN EXISTING PAVEMENT IS 17'-0" OR WIDER



TYPICAL 2 LANE RAMP WITH MEDIAN

RAMP E-1 (SHOWN OPPOSITE DIRECTION OF TRAVEL)

NOTE: TYPICAL SECTIONS ARE SHOWN IN THE DIRECTION OF TRAVEL

FOR LEGEND SEE SHEET NO 3