

MICROFILMED
OCT 28 1985

BEARING DETAILS

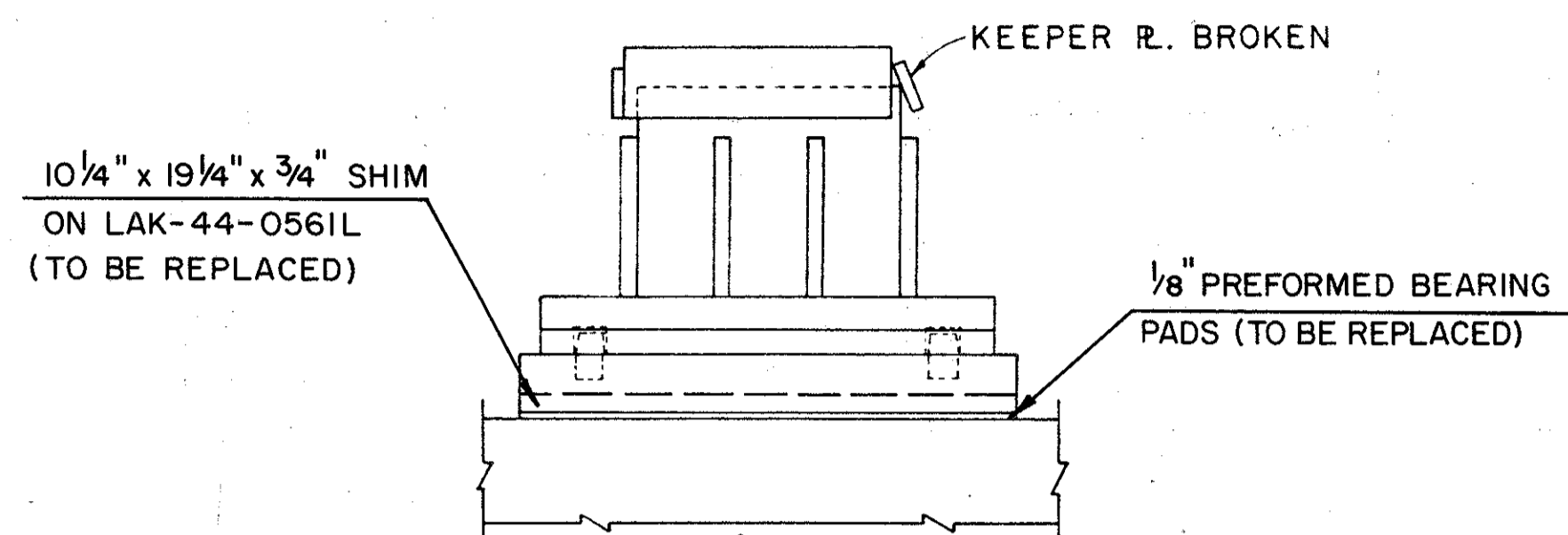
LAK-2-1656 L (EAST END) & LAK-44-0561 L (NORTH END)

FHWA REGION	STATE	PROJECT	
5	OHIO		

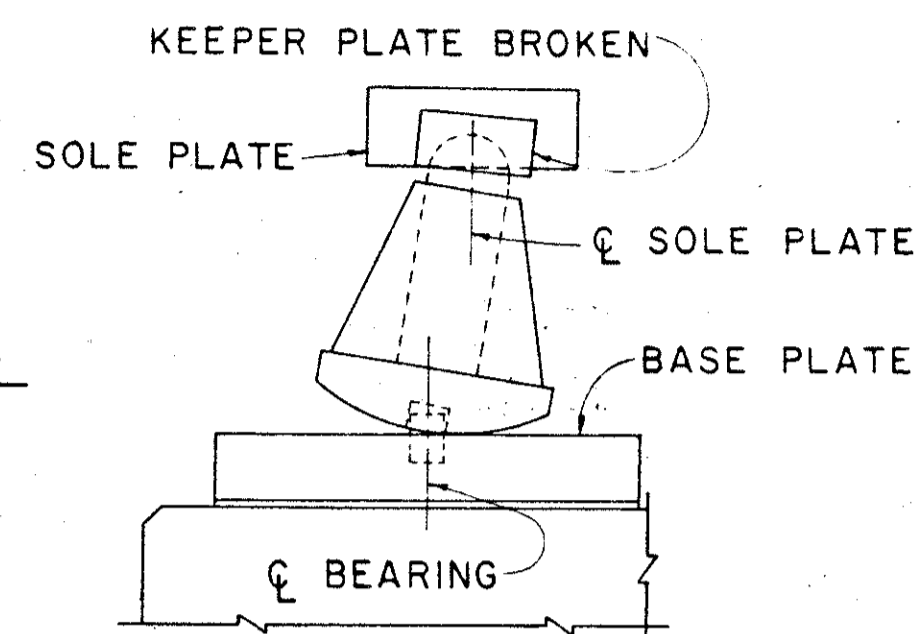
11
18

LAKE COUNTY
LAK-2/44-(14.28)(16.56)/5.61

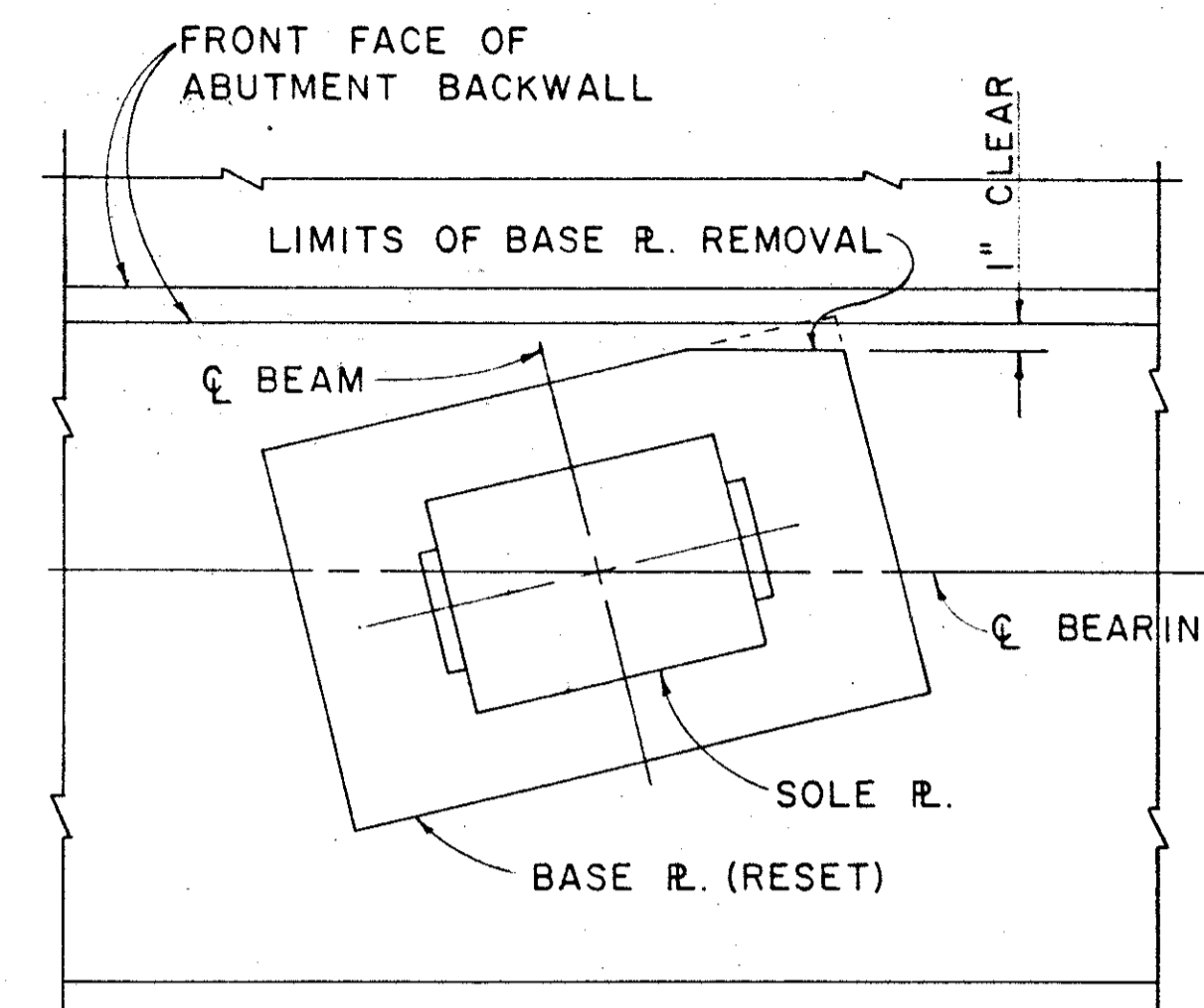
PLAN NO. BR-47-82



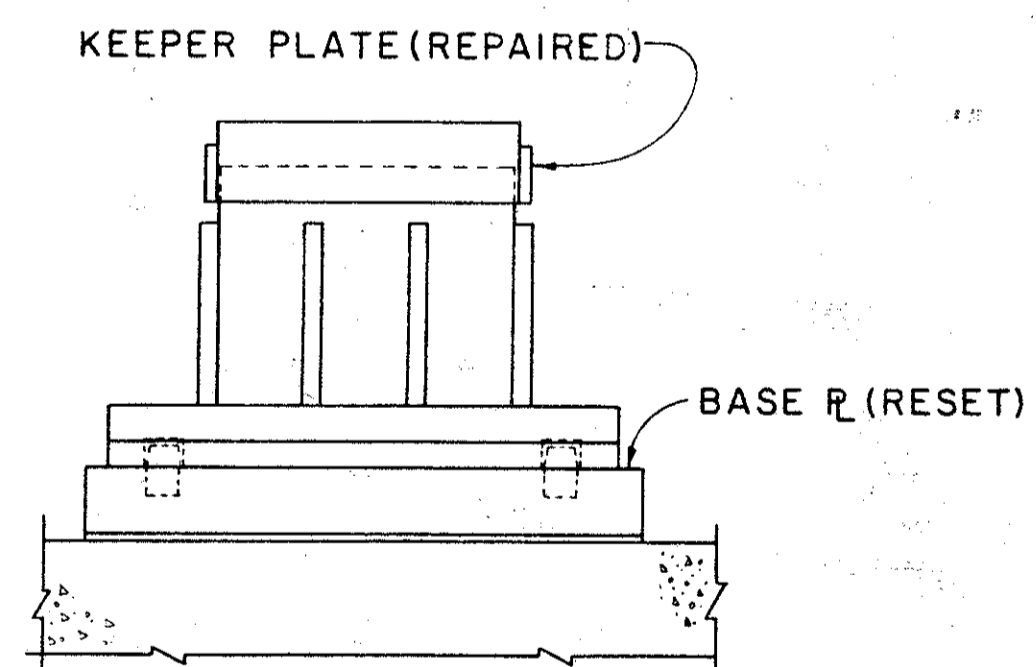
EXISTING FRONT ELEVATION



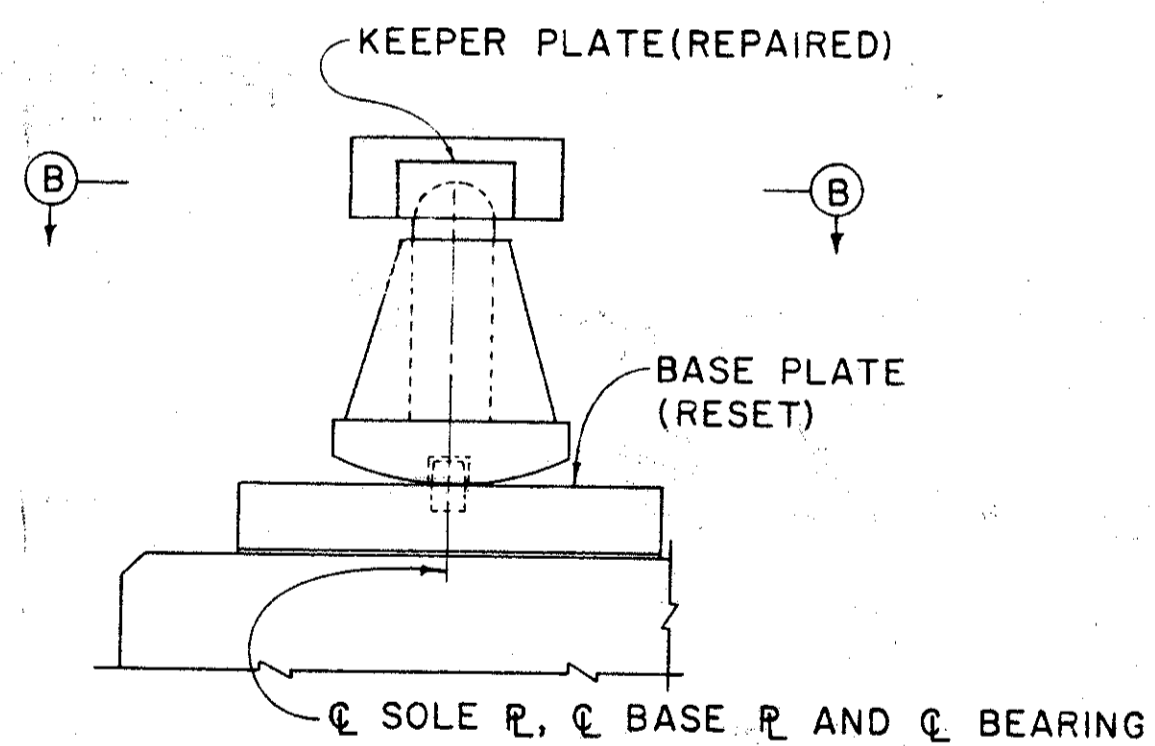
EXISTING SIDE ELEVATION



SECTION B-B*
(TRIMMING BASE PLATE)



MODIFIED FRONT ELEVATION



MODIFIED SIDE ELEVATION

PROCEDURE FOR RESETTING BEARINGS ON LAK-2-1656 L (EAST END) & LAK-44-0561 L (NORTH END).

1. RAISE THE ENTIRE SUPERSTRUCTURE AT THE ABUTMENT (ALL BEAMS SIMULTANEOUSLY) UNTIL THERE IS NO CONTACT BETWEEN THE SOLE PLATE AND THE BEARING. (CHIP OUT BACKWALL AREA AROUND BEAMS AS REQUIRED TO PERFORM THIS OPERATION).
2. RESET ROCKER AND BASE PLATE OR BASE PLATE ONLY IN FINAL POSITION BY CENTERING THE BASE PLATE UNDER THE SOLE PLATE BOTH IN THE LOGITUDINAL AND TRANSVERSE DIRECTION (ON LAK-44-0561L THE SHIMS SHALL BE CENTERED IN CONJUNCTION WITH THE BASE PLATES). ROCKERS SHALL BE SET IN VERTICAL POSITION AT 70° F.
3. REMELD KEEPER PLATE TO SOLE PLATE AS REQUIRED WITH A 5/16" FILLET WELD.
4. LOWER THE ENTIRE SUPERSTRUCTURE (CHIP OUT BACKWALL AREA AROUND BEAMS AS REQUIRED TO PERFORM THIS OPERATION).

*NOTE: WORK TO BE PERFORMED ONLY IF FOUND TO BE REQUIRED BY ENGINEER