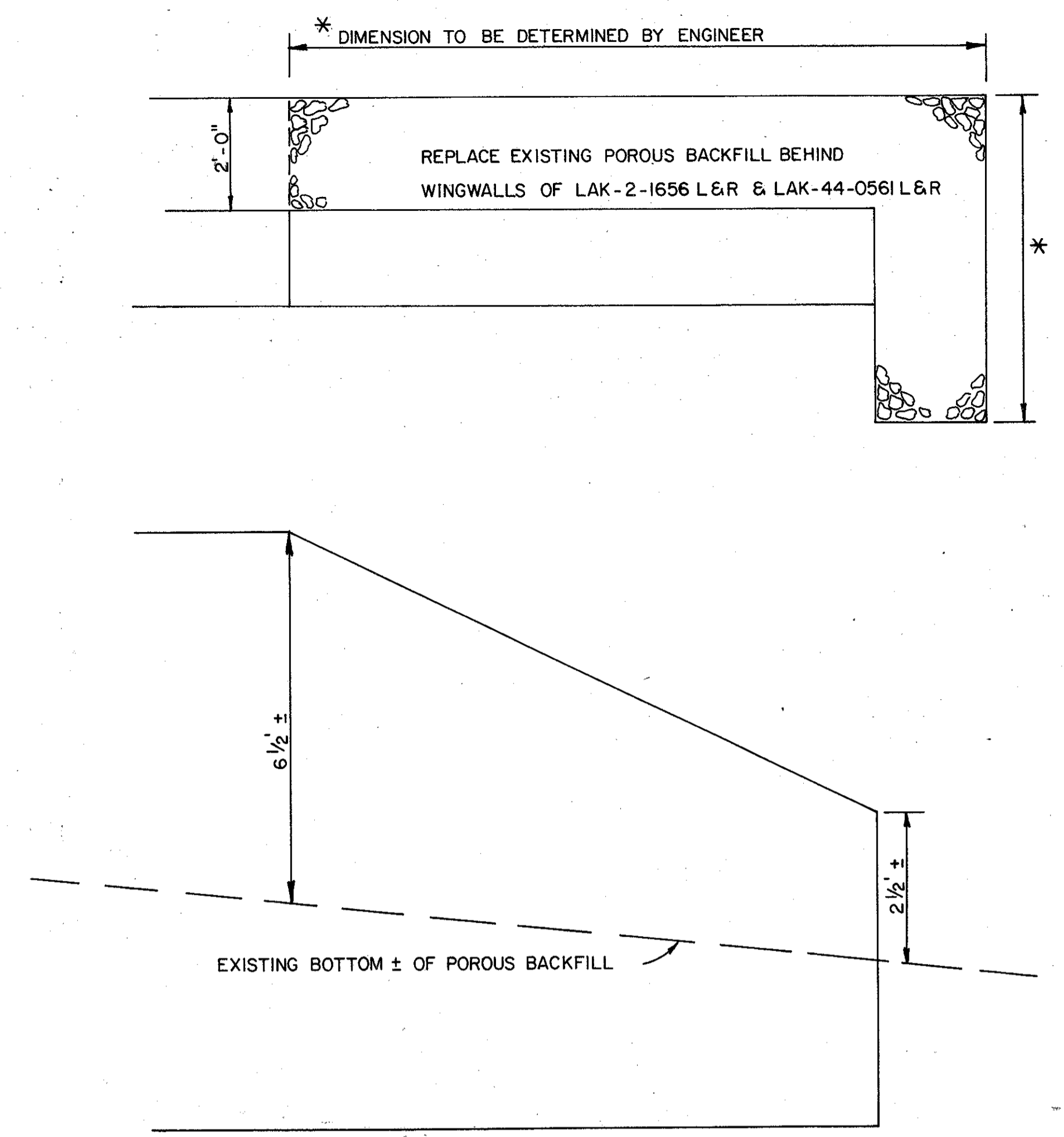


MICROFILMED  
OCT 28 1985

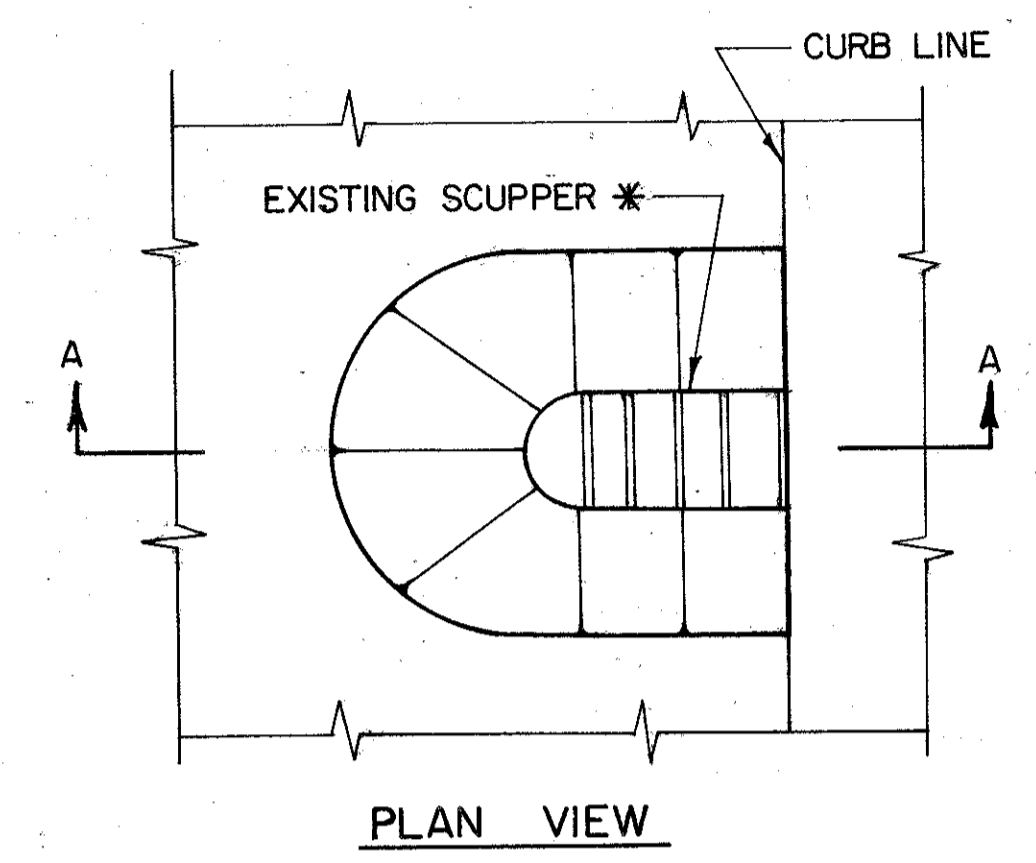
FHWA REGION	STATE	PROJECT	
5	OHIO		

LAKE COUNTY  
LAK-2/44-(14.28)(16.56)/5.61

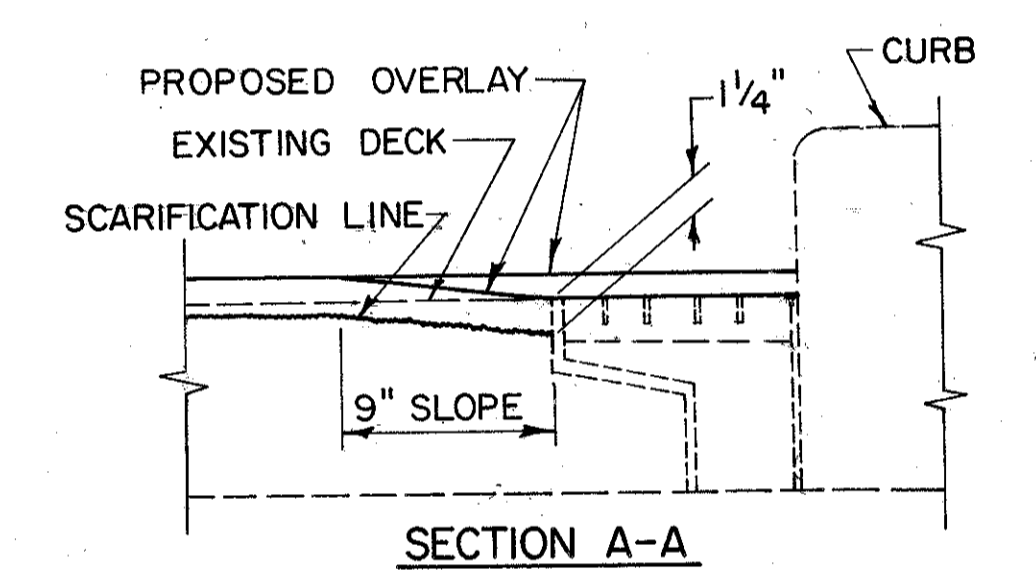
PLAN NO. BR-97-82



POROUS BACKFILL REPLACEMENT DETAIL  
(LAK-2-1656 L&R & LAK-44-0561 L&R ONLY)

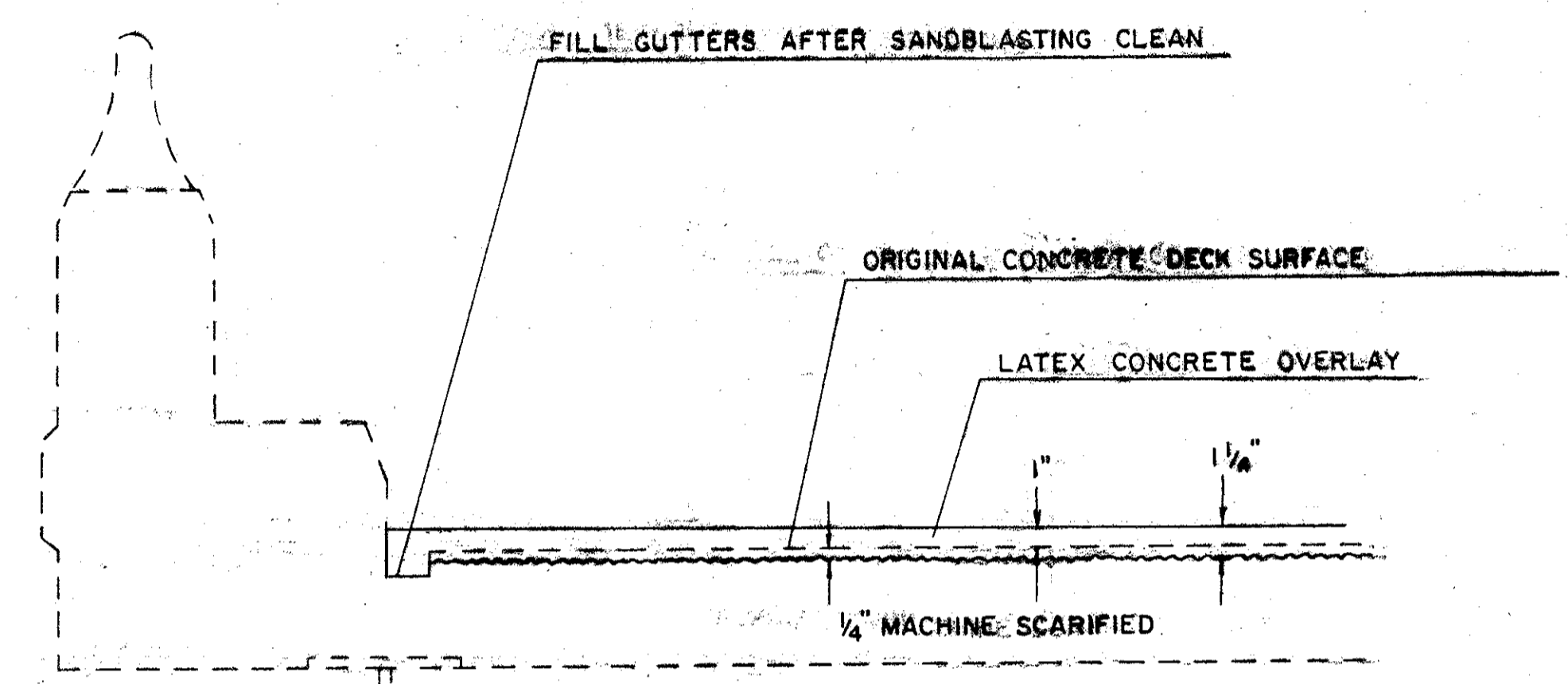


PLAN VIEW

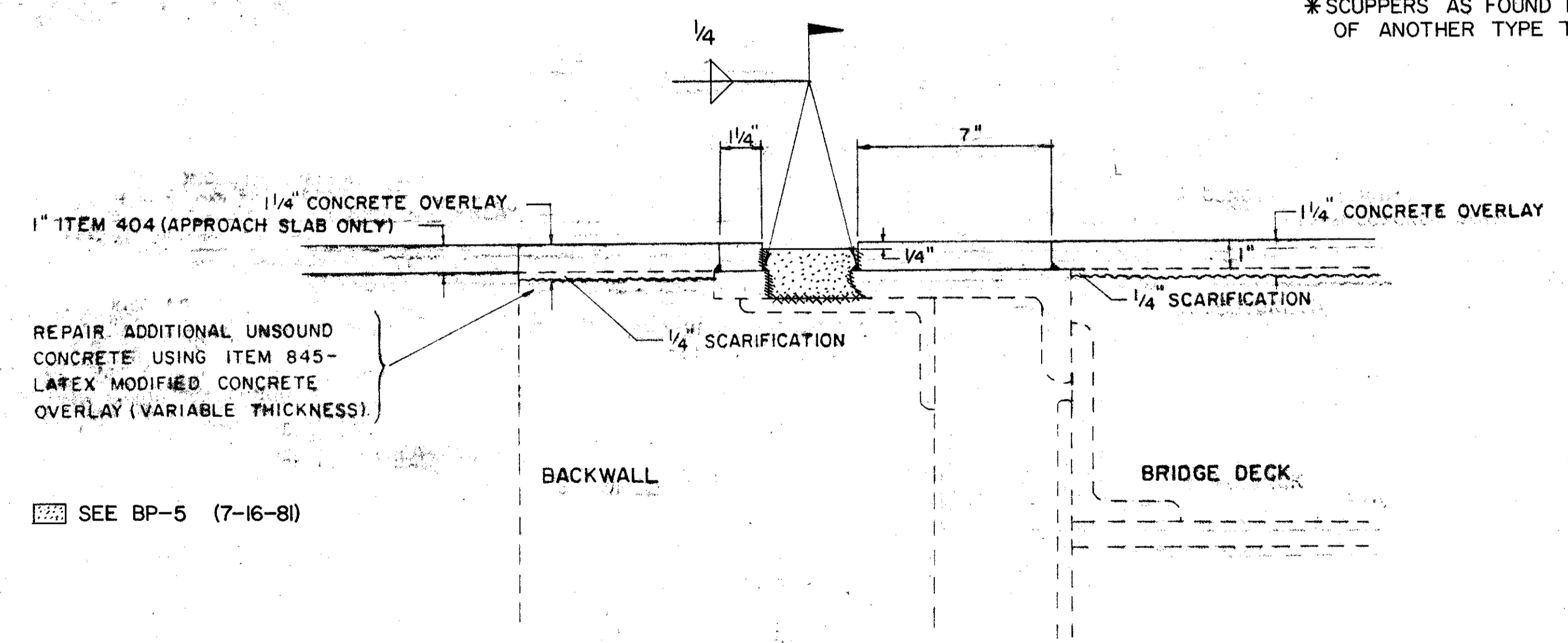


SECTION A-A

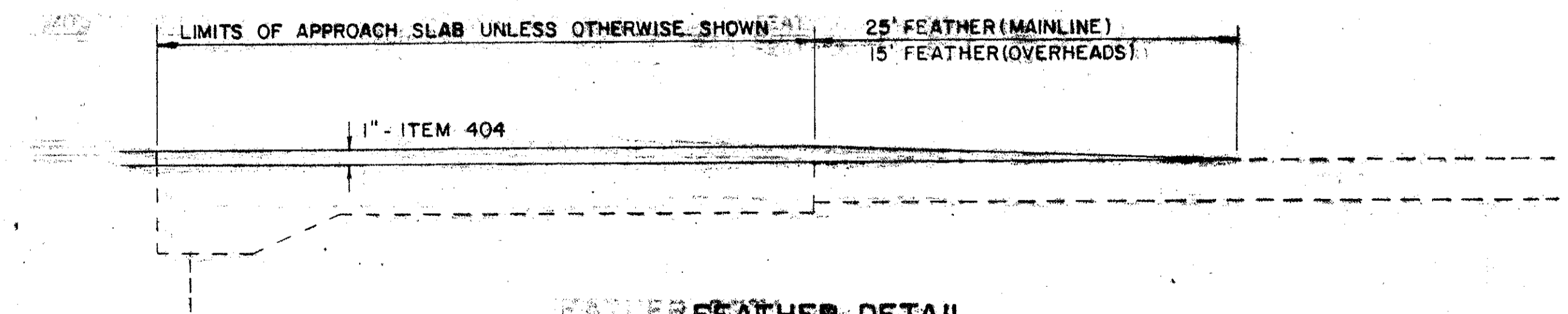
TYPICAL OVERLAY DETAIL AT SCUPPERS  
\* SCUPPERS AS FOUND MAY BE REVERSED 180° OR OF ANOTHER TYPE THAN THAT SHOWN



PROPOSED TYPICAL SECTION  
NO SCALE



VERTICAL EXTENSION OF STRUCTURAL EXPANSION JOINTS, AS PER PLAN



FEATHER FEATHER DETAIL  
DETAIL APPLIES TYPICALLY TO NON SETTLED APPROACH SLABS, SEE GENERAL NOTES FOR EXACT GRADE REQUIREMENTS AT BRIDGE APPROACHES.