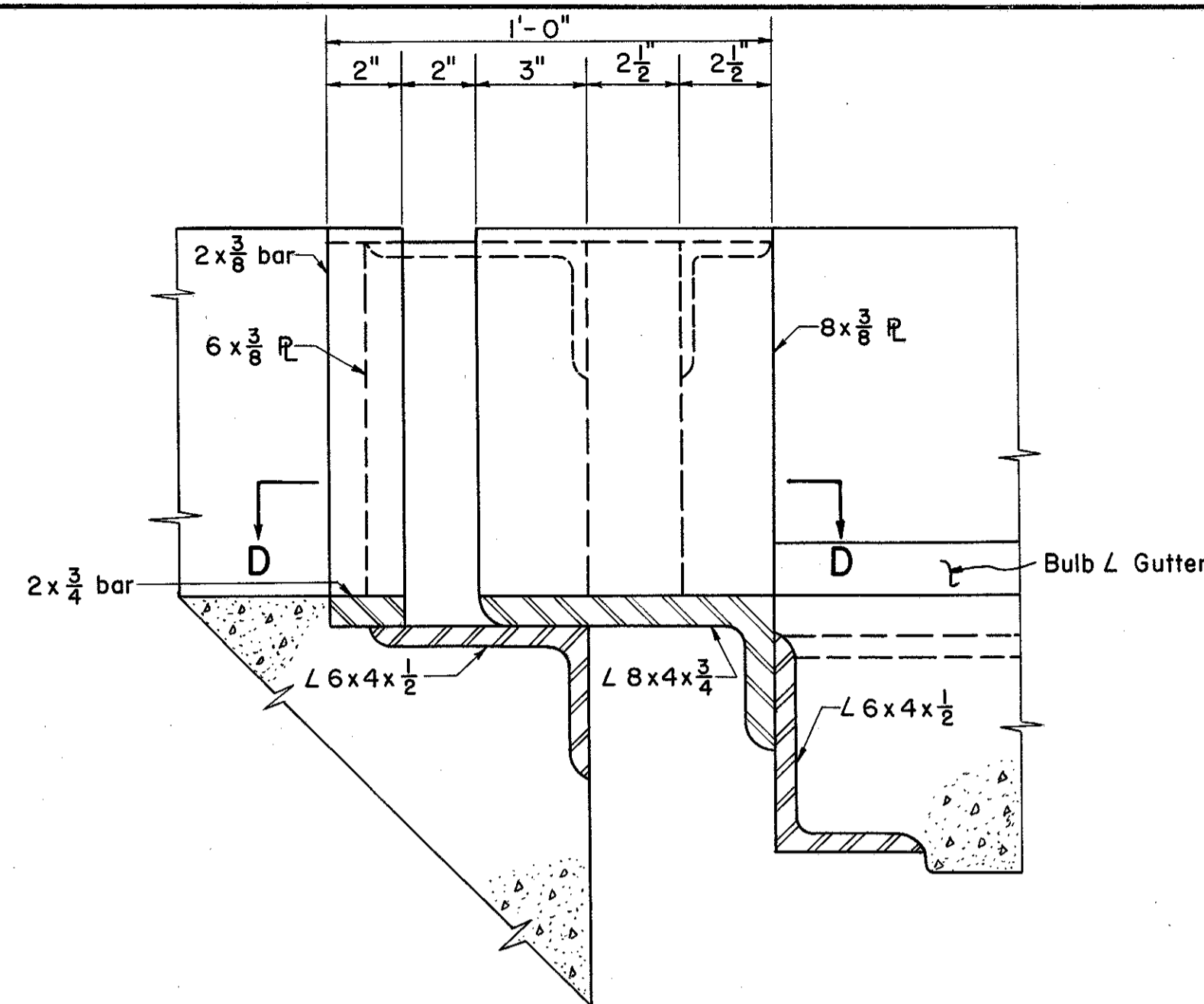
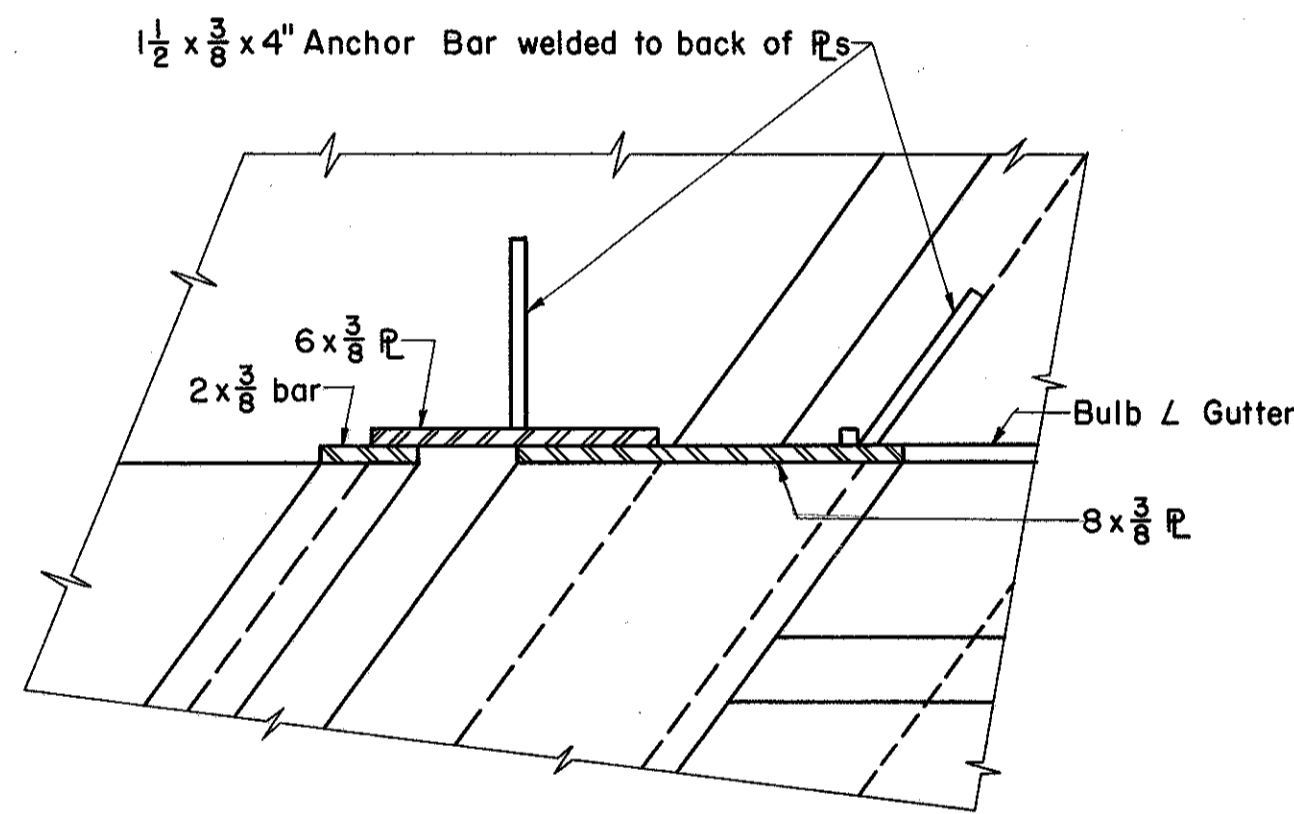


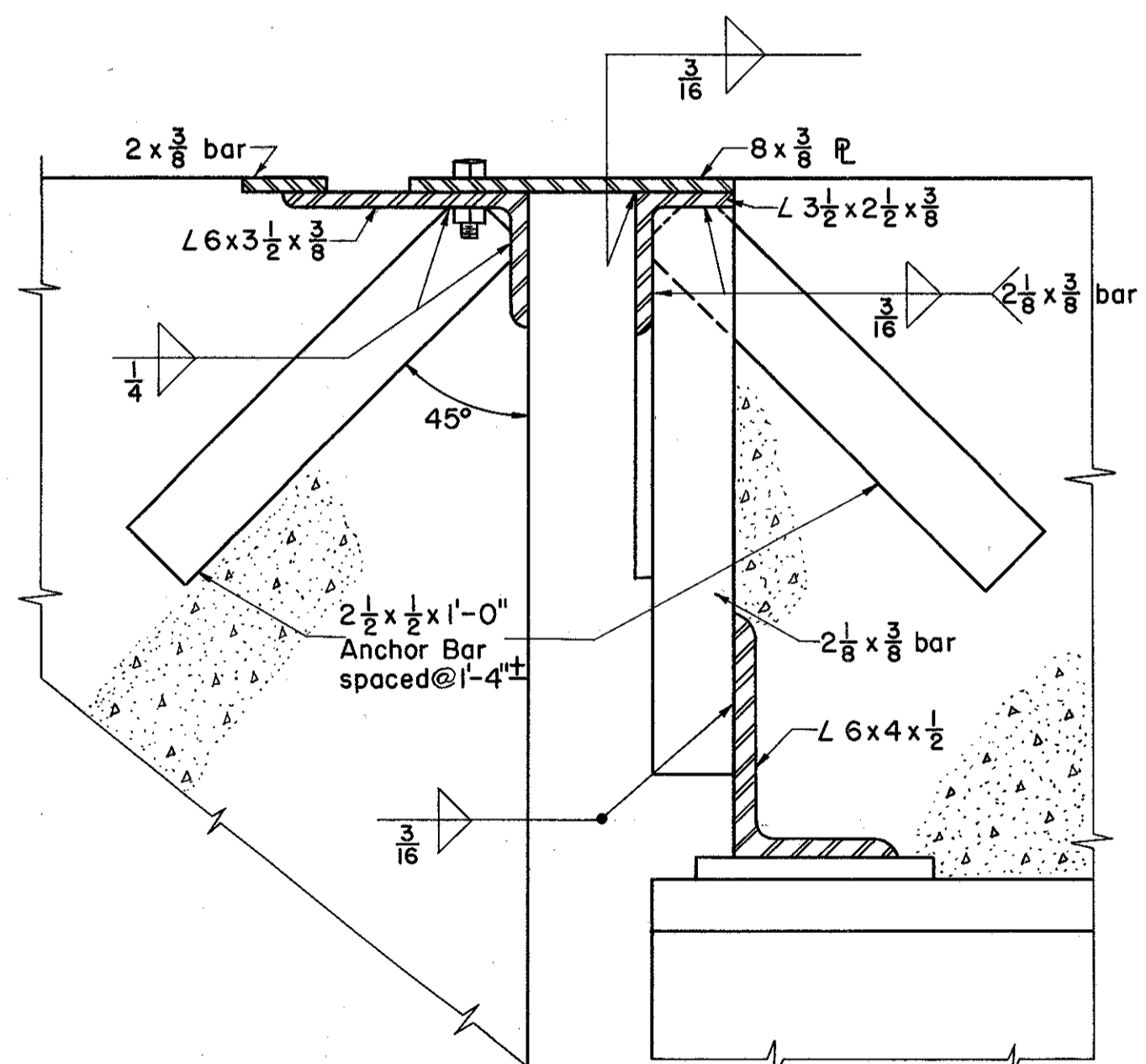
PART PLAN, END DAM AND CURB PLATES AT SIDEWALK, ABUTMENT # 1  
ABUTMENT # 2 SIMILAR



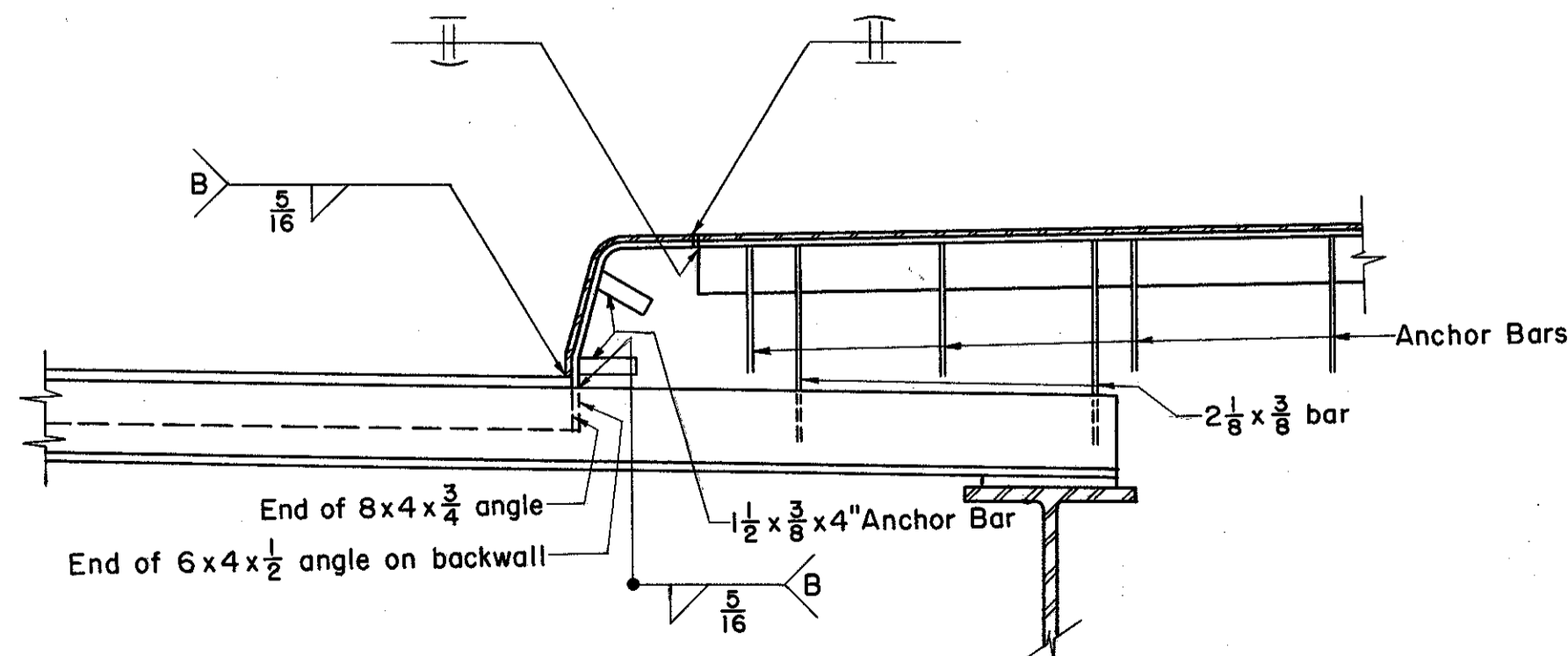
SECTION A-A



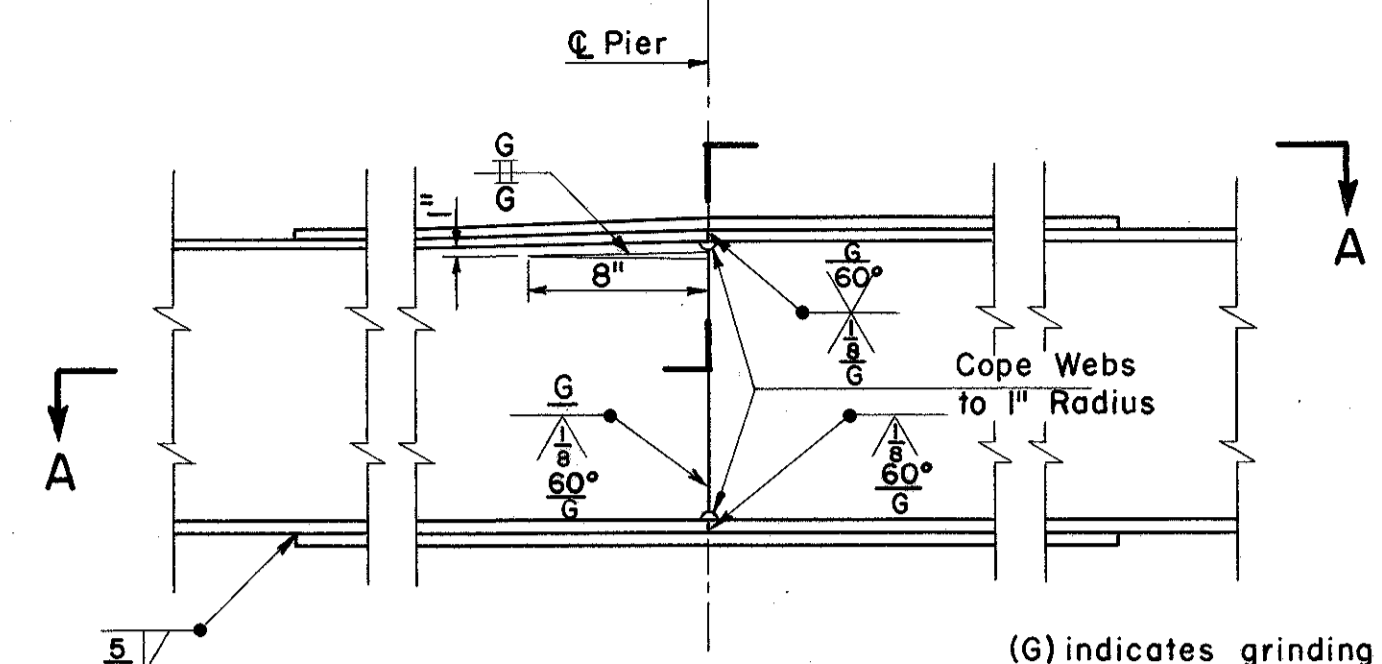
SECTION D-D



SECTION B-B

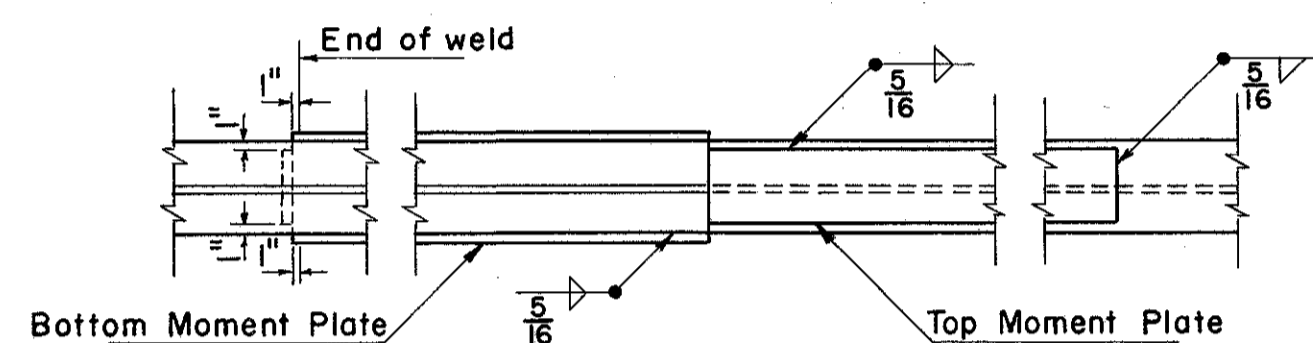


SECTION C-C



BEAM SPLICE DETAIL PIER #1  
(Pier No 2 and 3 opposite hand)

For cover R size and length see "Steel Framing Plan"



SECTION A-A

NOTES:

For Details of End Dams not shown, see Std. Dwg. CSB-2-56 Sheet 2 of 6.

For Curb Plate Details adjacent to 2'-2" Safety Curb, see Std. Dwg. CSB-2-56 Sheet 3 of 6.

End Crossframe Details not shown, see CSB-2-56 Sheet 2 of 6.

FED. RD. DIVISION	STATE	PROJECT
2	OHIO	

LAKE COUNTY  
SEC. LAK-2-14.22

PREPARED BY CAPITOL ENGINEERING ASSOCIATES, DILLSBURG, PA. FOR					
STATE OF OHIO DEPARTMENT OF HIGHWAYS DIVISION OF DESIGN AND CONSTRUCTION BUREAU OF BRIDGES					
CURB PLATE DETAILS BRIDGE NO. LAK-2-1593 RELOC. S. R. 2 UNDER ELM ST. LAKE COUNTY STA. 741 + 03.27					
DESIGNED	DRAWN	TRACED	CHECKED	REVIEWED DATE	REVISED
O.D.H.	DRT	SD	SDM	3/15-60	DRT