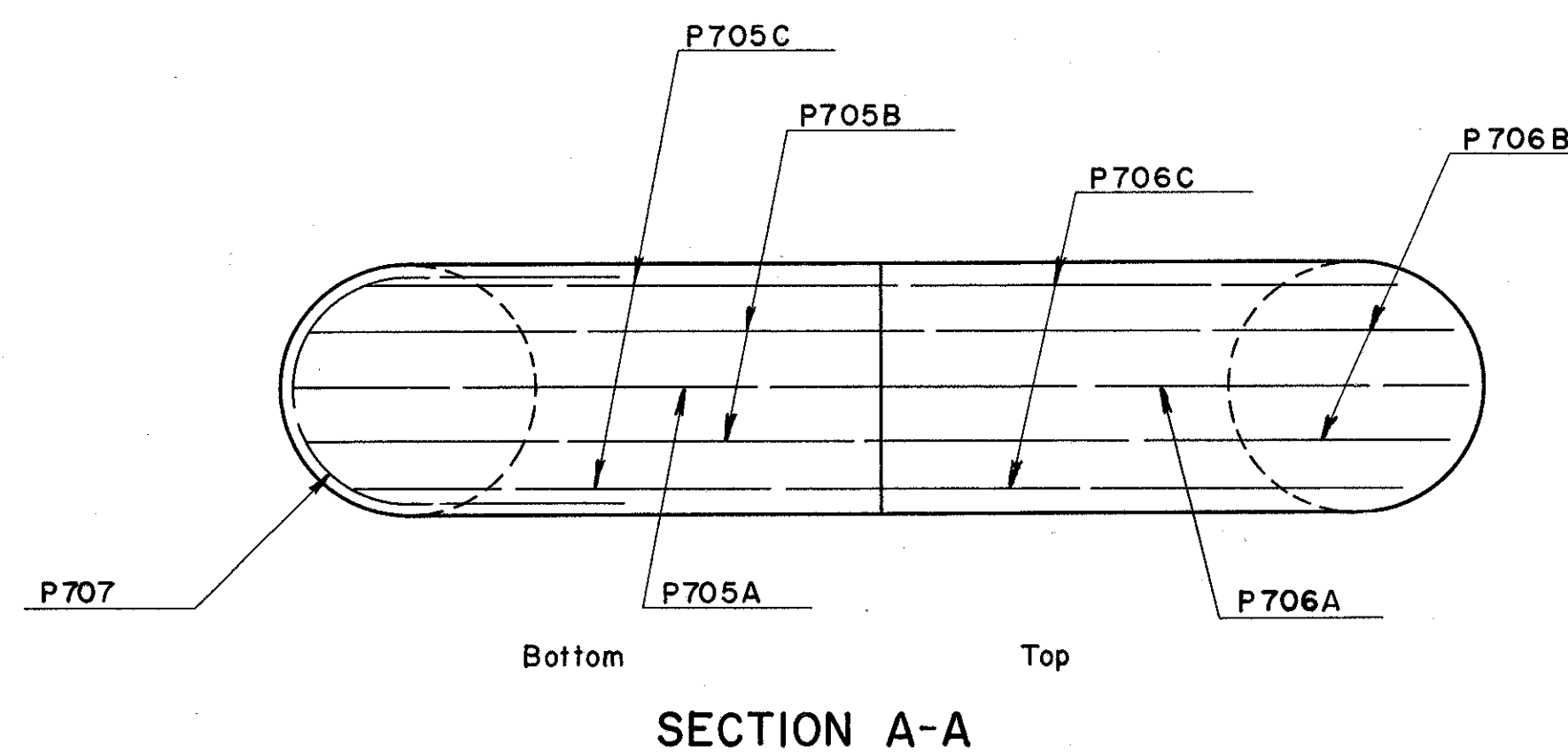
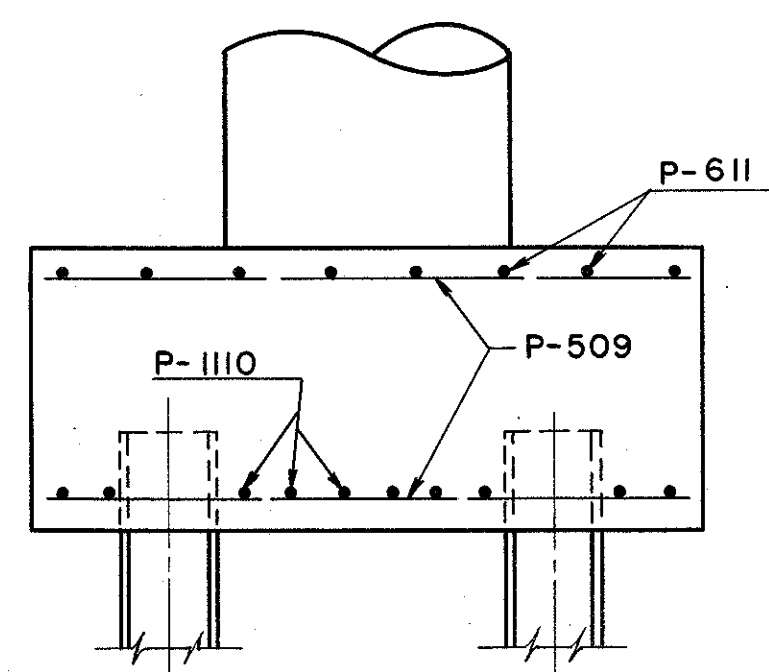
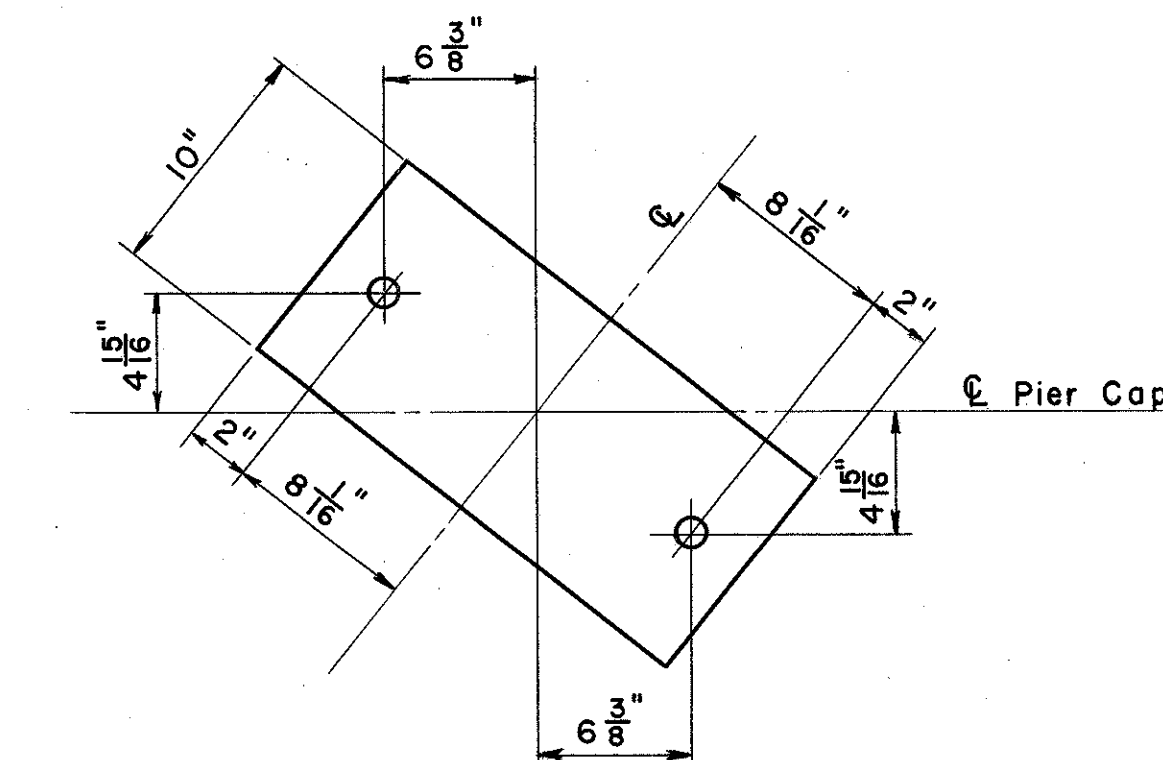
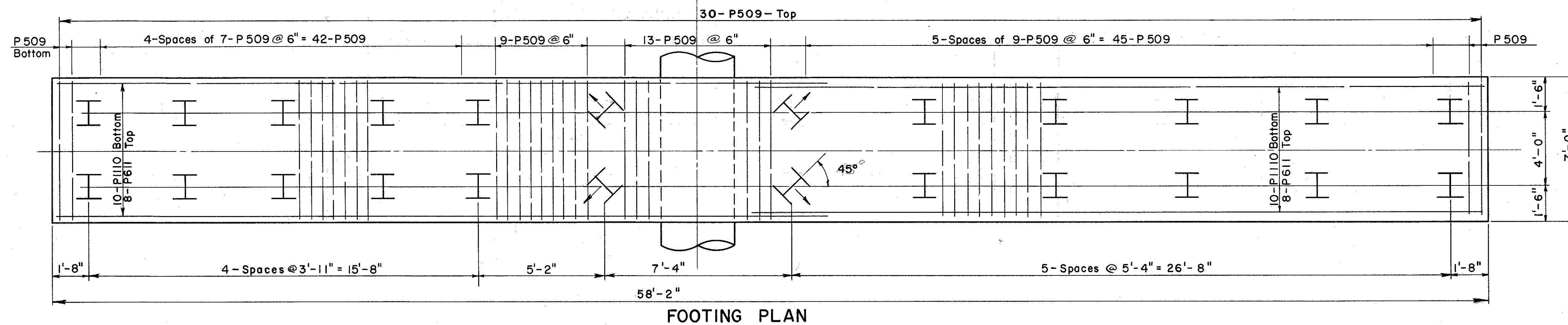
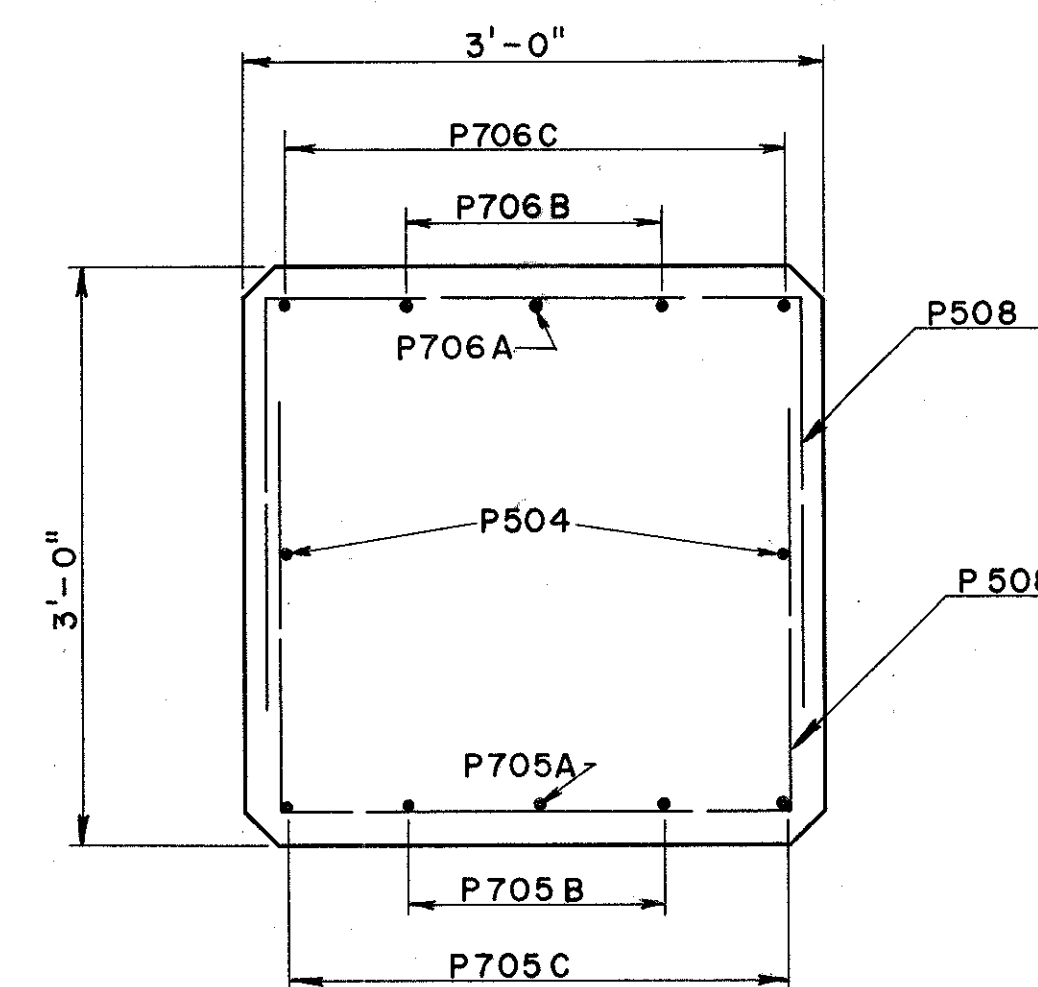
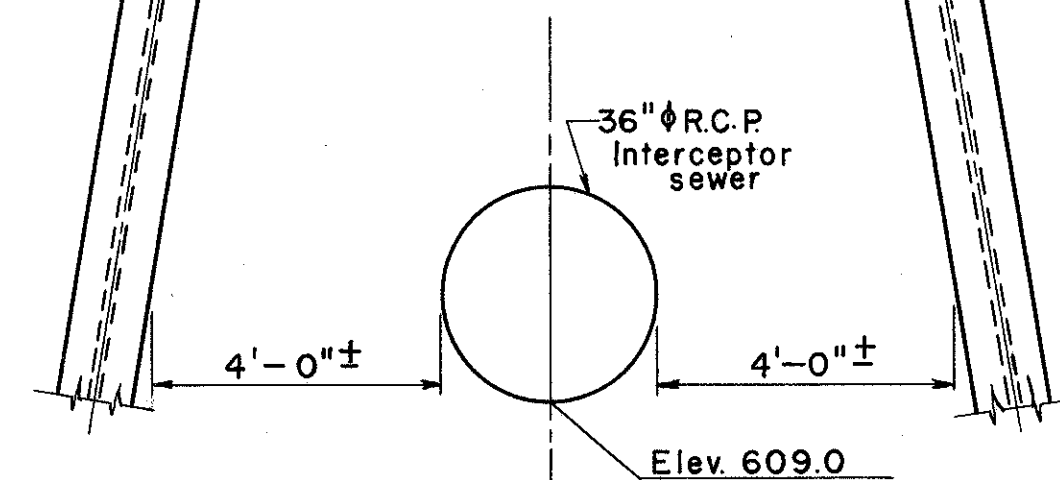


NOTE:  
The four piles adjacent to the 36" sewer shall be pre-bored to a depth 3' below the sewer. The cost of pre-boring shall be included in the unit price bid for Item 5-18, Steel Piles 12BP53



PREPARED BY  
CAPITOL ENGINEERING ASSOCIATES, DILLSBURG, PA.  
FOR

STATE OF OHIO  
DEPARTMENT OF HIGHWAYS  
DIVISION OF DESIGN AND CONSTRUCTION  
BUREAU OF BRIDGES

PIER DETAILS  
BRIDGE NO. LAK-2-1512 L & R  
RELOC. S. R. 2 OVER SANFORD STREET  
LAKE COUNTY

STA. 699 + 08.63

DESIGNED	DRAWN	TRACED	CHECKED	REVIEWED DATE	REVISED
H.P.	R.	J.D.M.	M.C.		