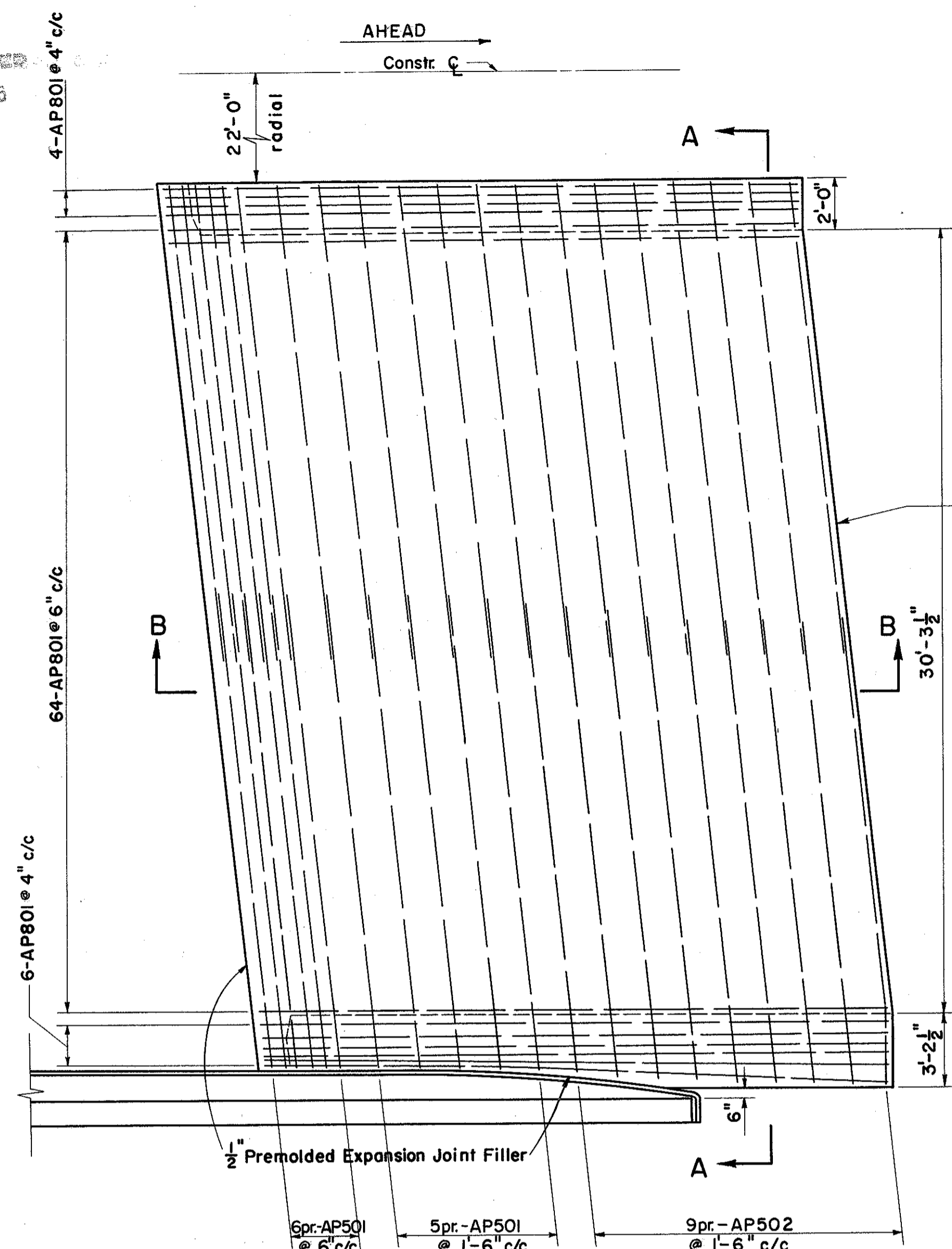


PROFILMER
JUL 9 1986

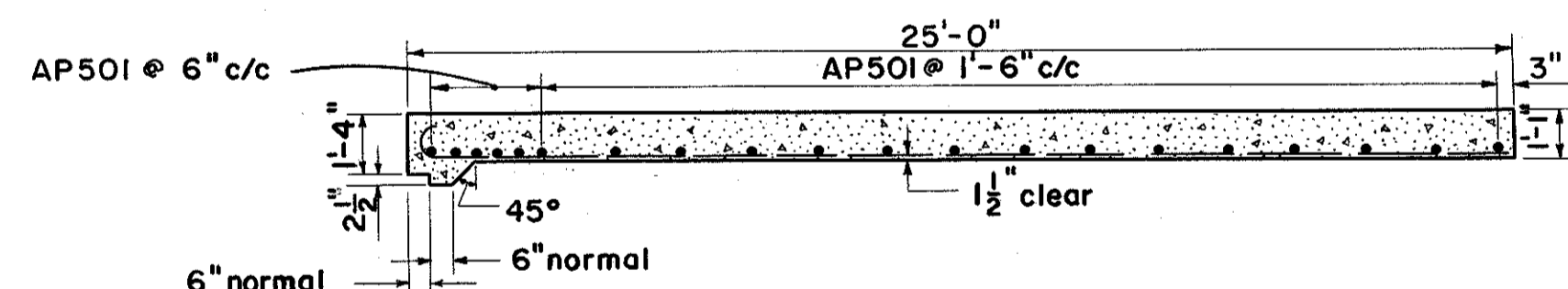
FED. RD. DIVISION	STATE	PROJECT	319 384
2	OHIO		

LAKE COUNTY
SEC. LAK-2-14.22

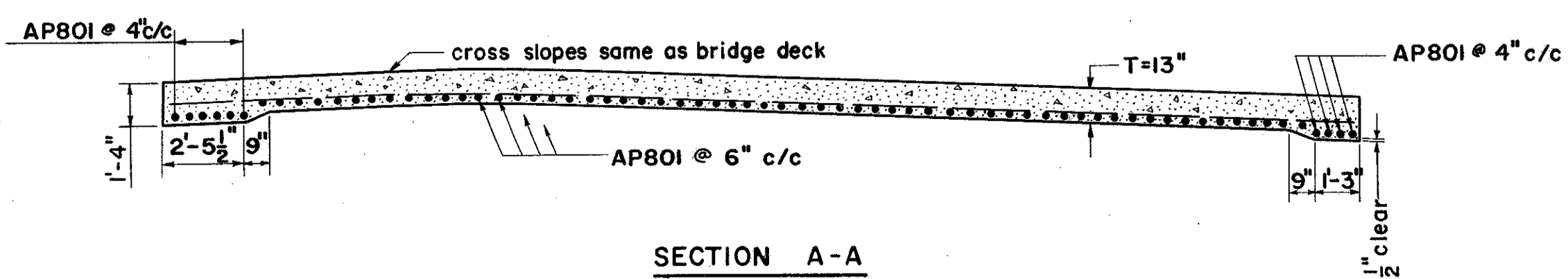


APPROACH SLAB

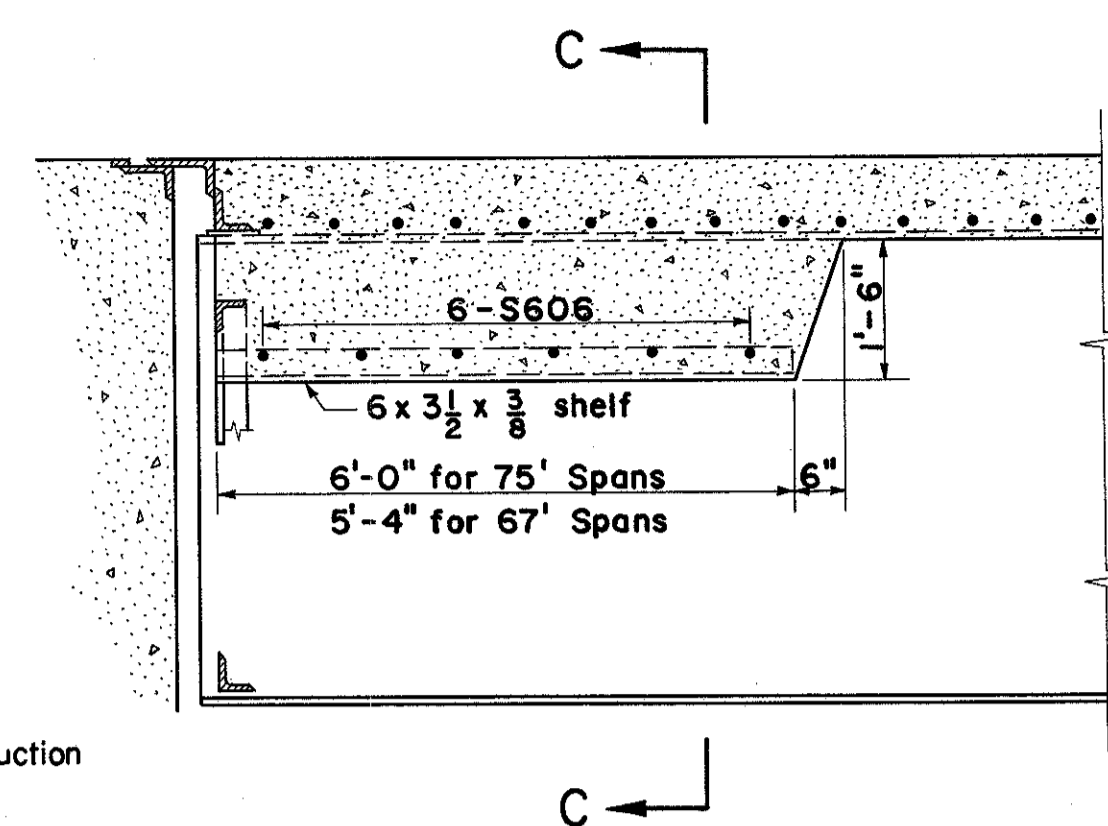
(South Bridge East Approach Slab, for other Approach Slabs see Standard drawing AS-1-54.)



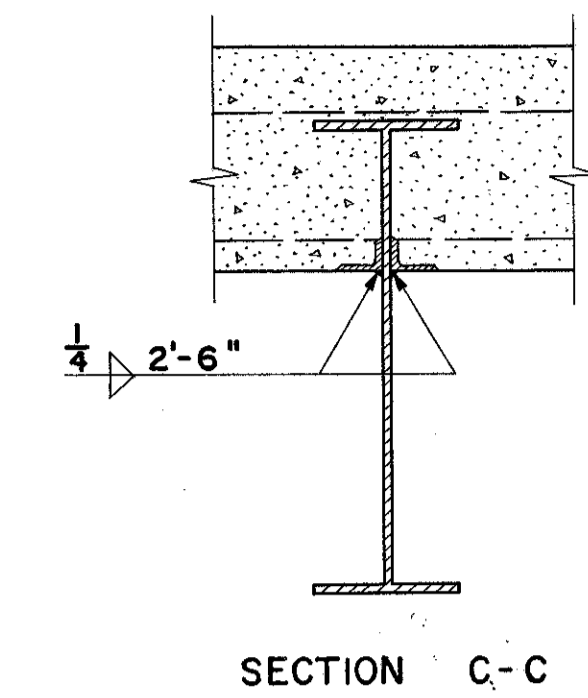
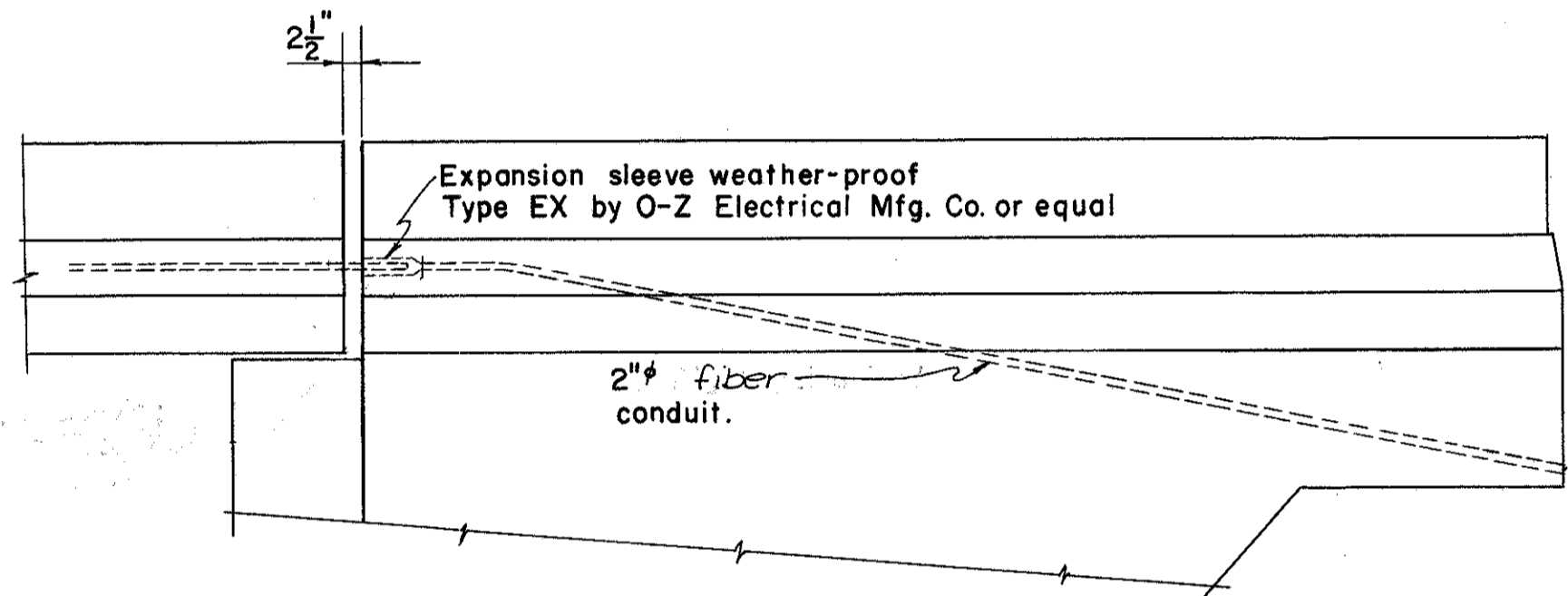
SECTION B-B



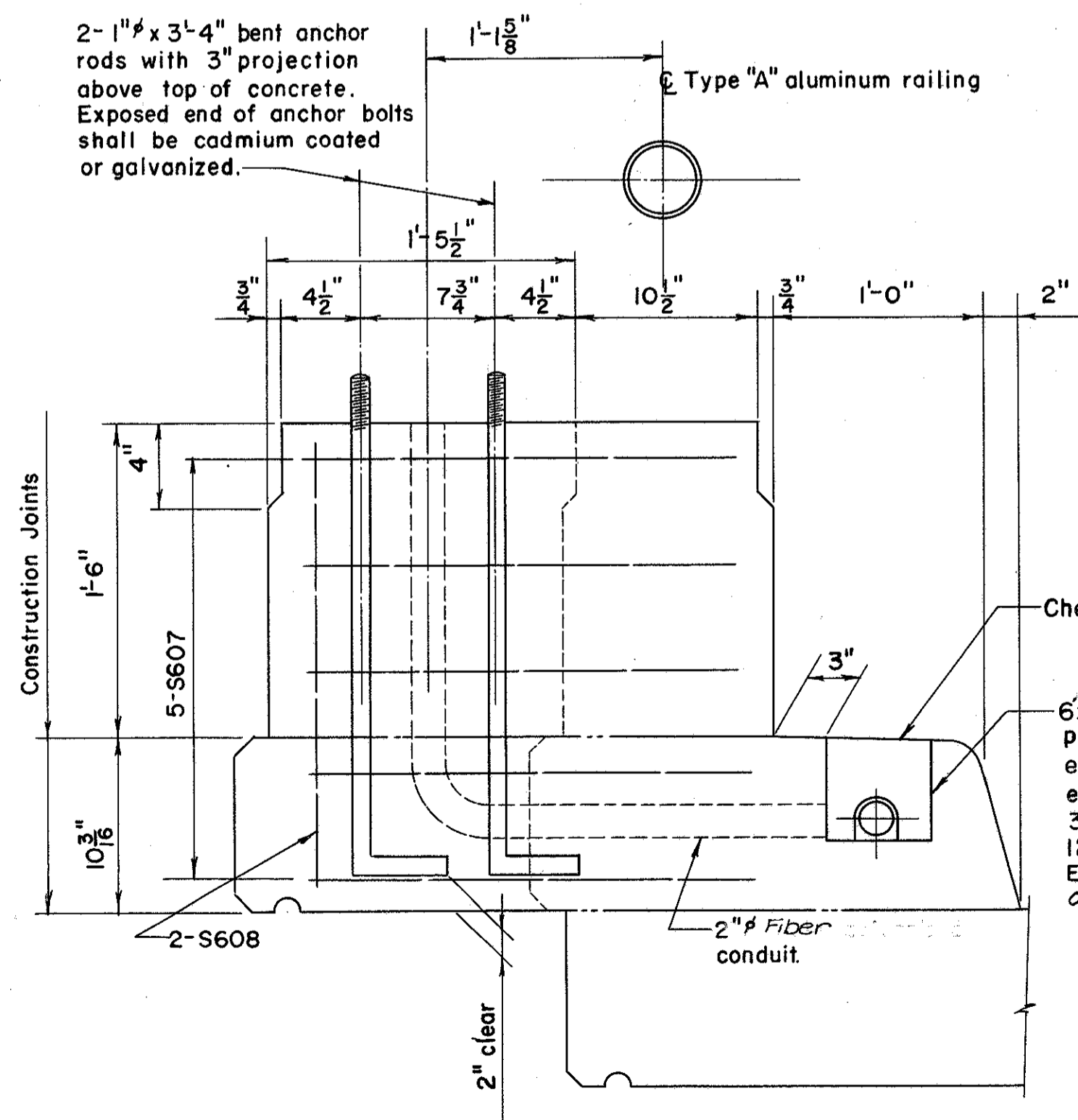
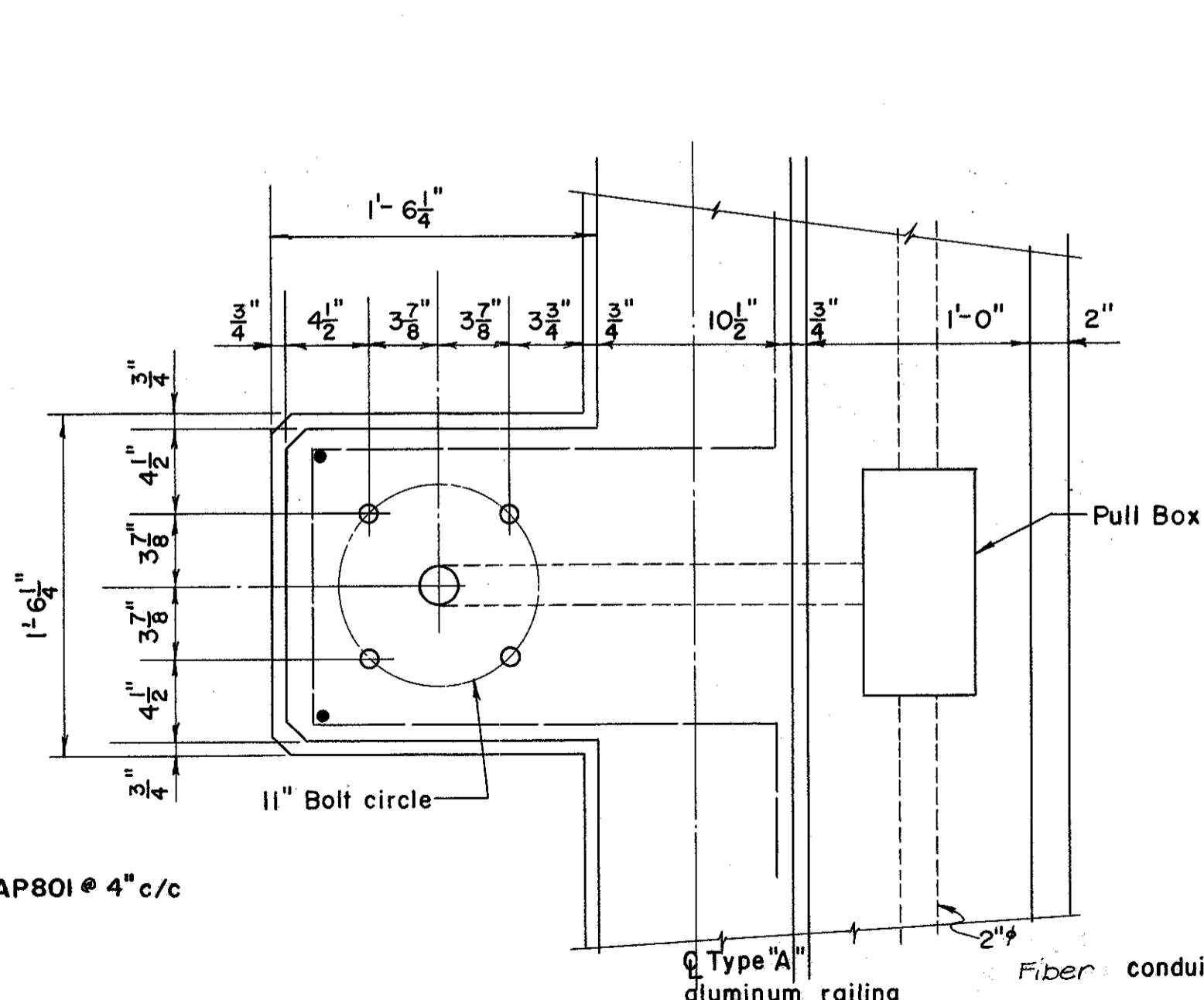
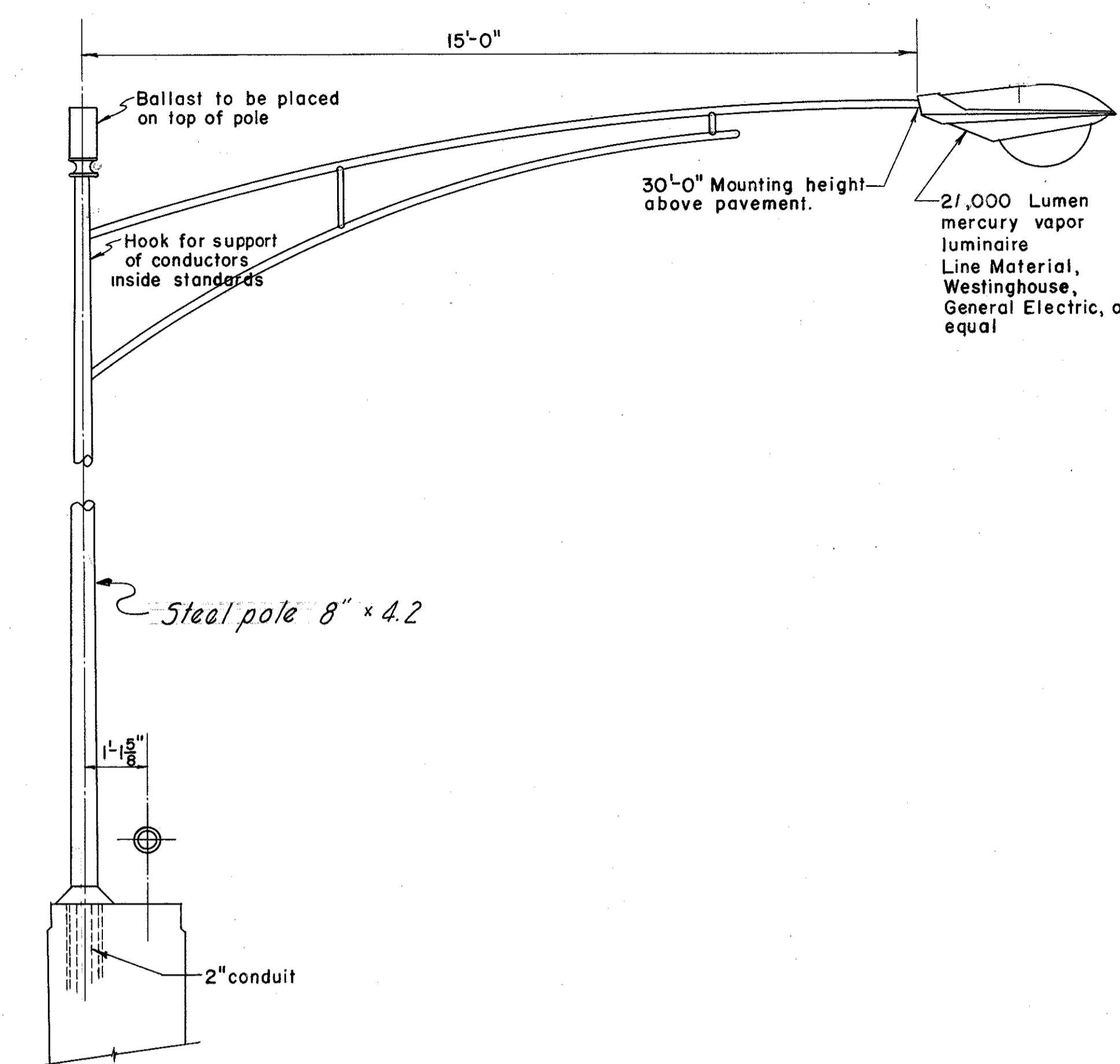
SECTION A-A



COUNTERWEIGHT DETAILS
(Both end spans Left and Right Bridge)



SECTION C-C



LIGHTING DETAILS

NOTES:
The Approach Slab shall be Class "C" Concrete.
The Reinforcement Steel and Premolded Expansion Joint Filler is included in "Reinforced Concrete Approach Slab" Item I-7 and is not paid for separately.
For lighting details not shown see Roadway Lighting Plans Sheet No. 271.

PREPARED BY
CAPITOL ENGINEERING ASSOCIATES, DILLSBURG, PA. FOR
STATE OF OHIO
DEPARTMENT OF HIGHWAYS
DIVISION OF DESIGN AND CONSTRUCTION
BUREAU OF BRIDGES

APPROACH SLAB & COUNTERWEIGHT DETAILS
BRIDGE NO. LAK-2-1471 L.&R.
RELOC. S. R. 2 OVER B.&O. R.R.-S.R. 283
LAKE COUNTY
STA. 680 + 56.97

DESIGNED	DRAWN	TRACED	CHECKED	REVIEWED DATE	REVISED
M.C.C.		R.L.K.	D.R.T.		