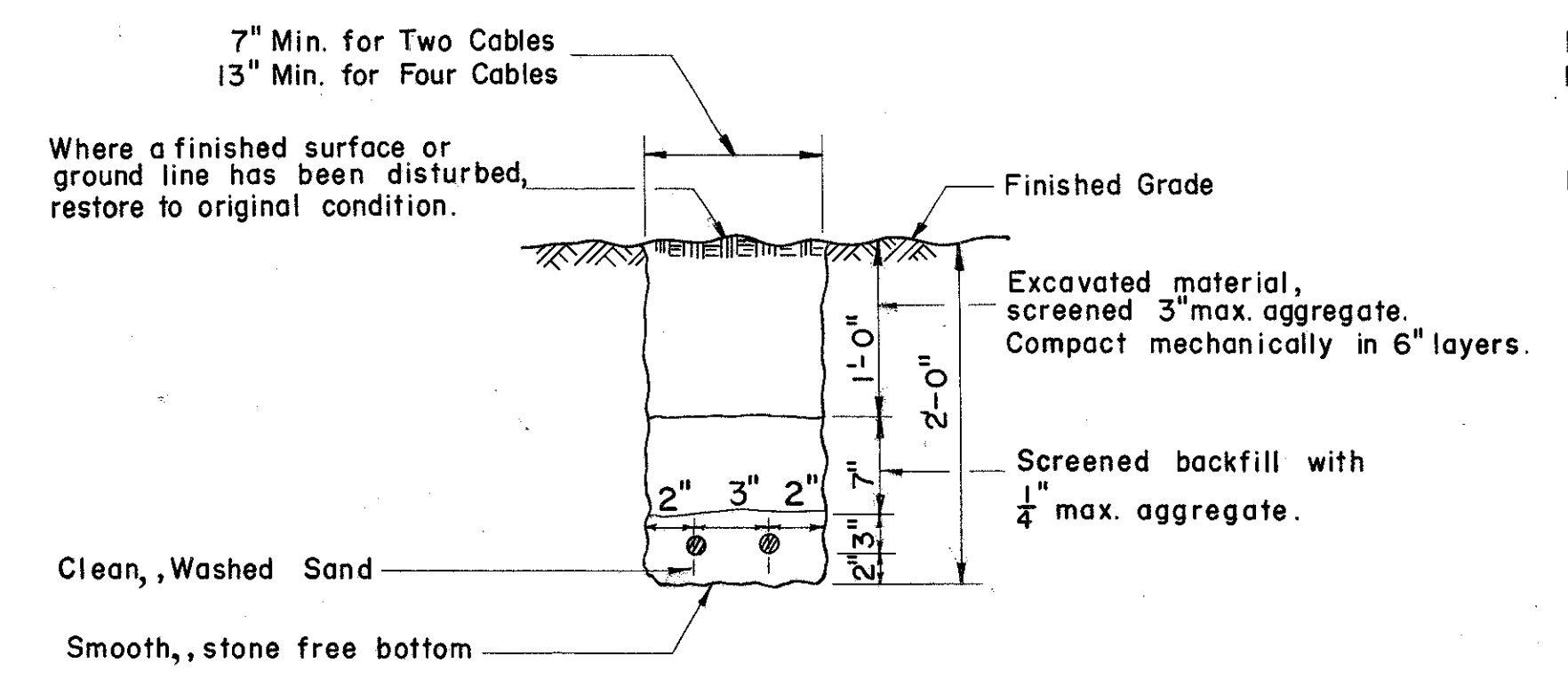
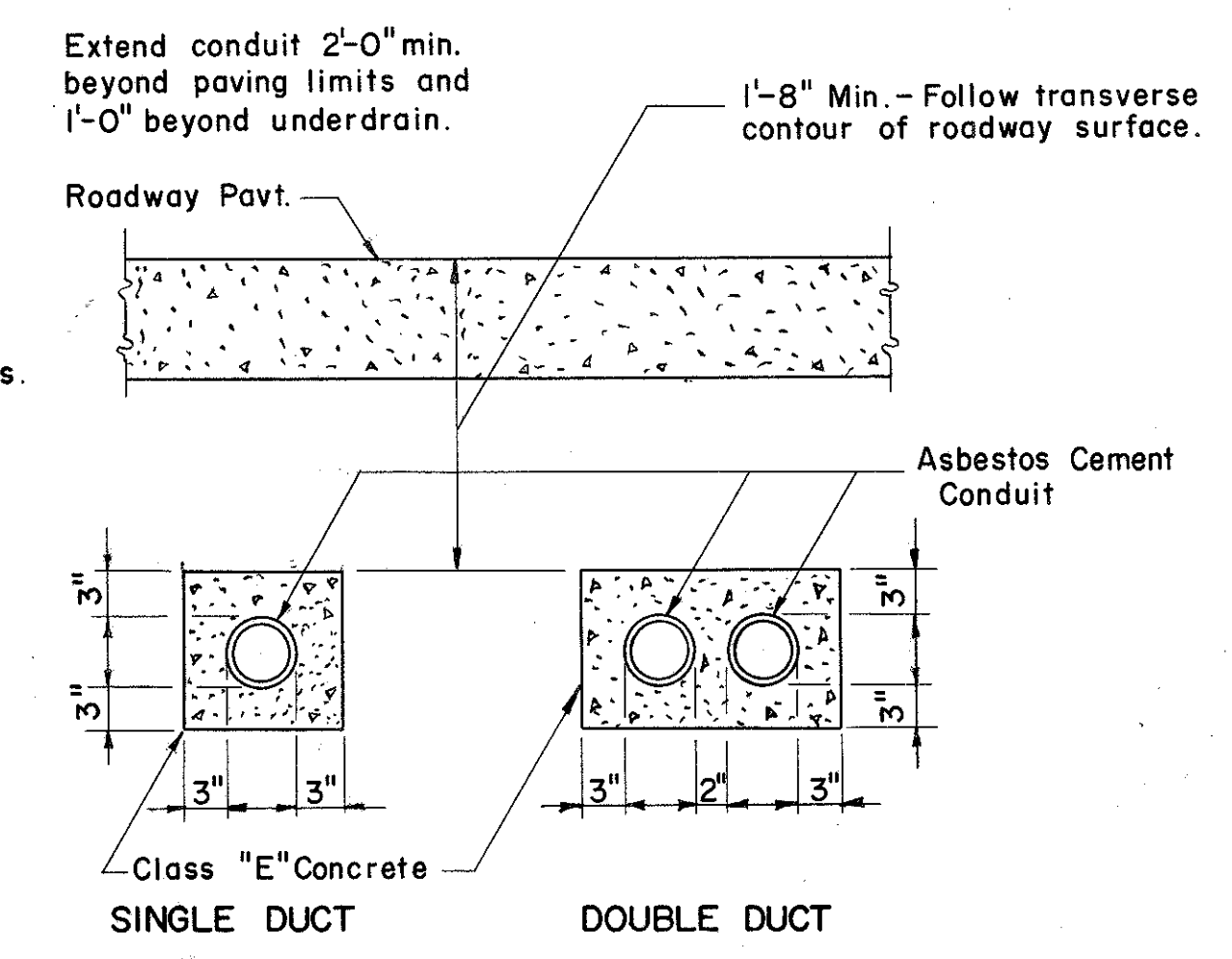


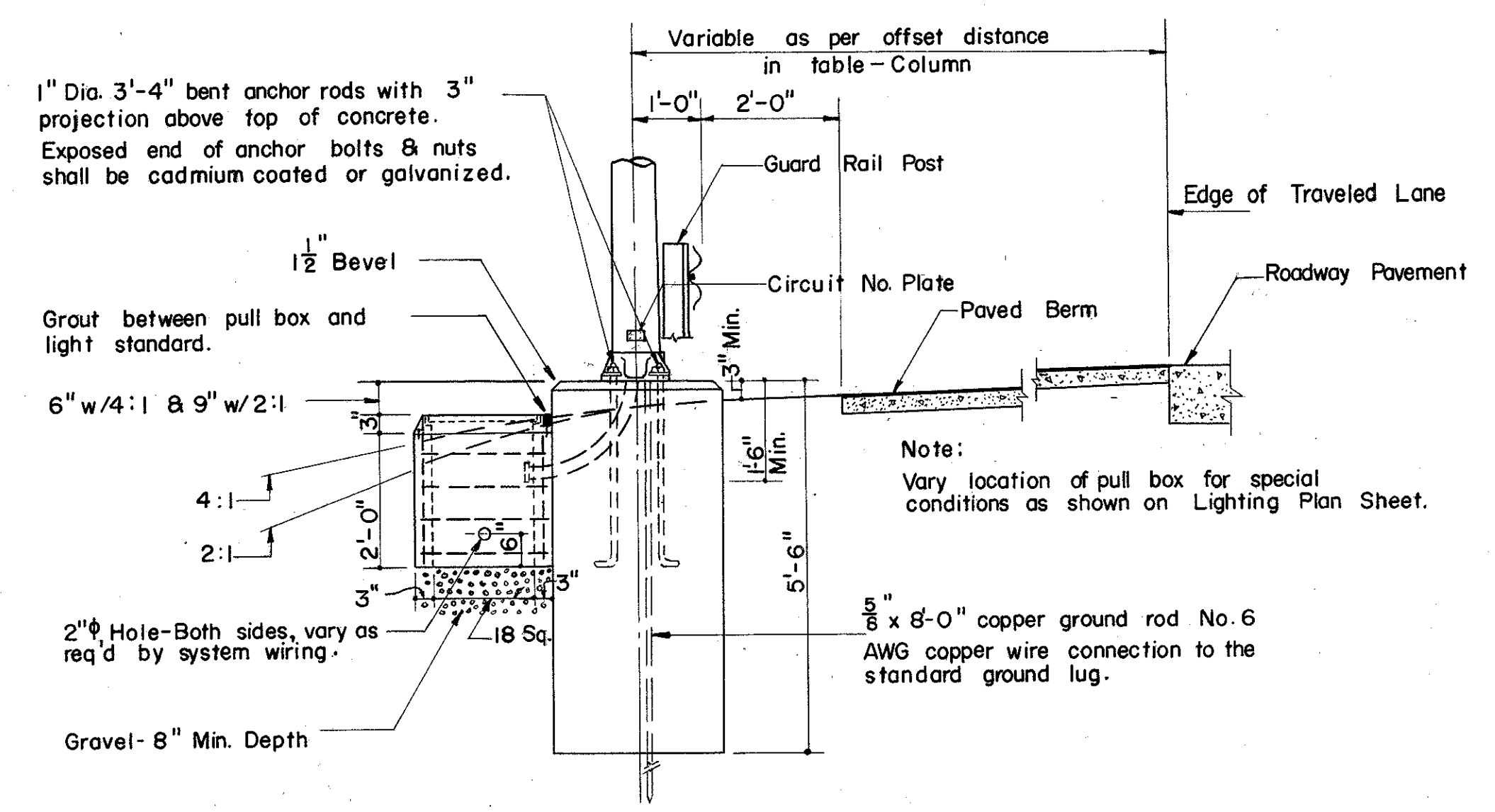
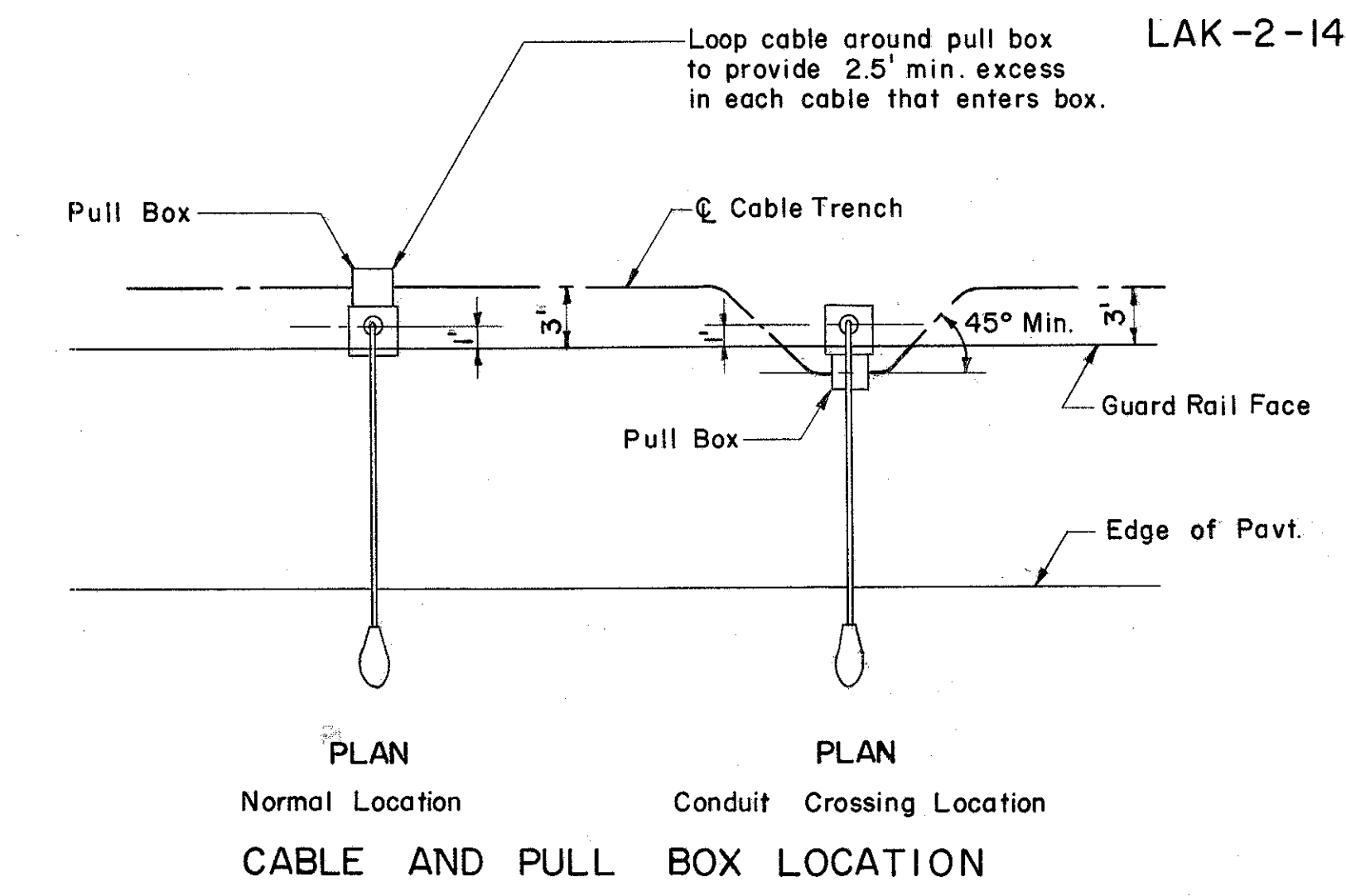
MARKER DETAIL



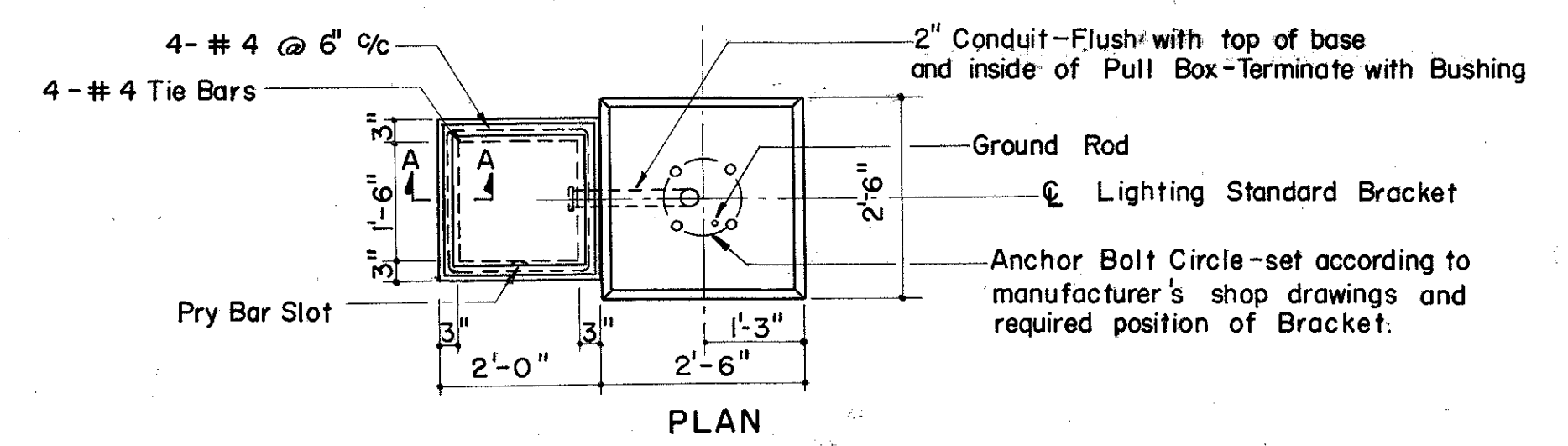
CABLE TRENCH DETAIL



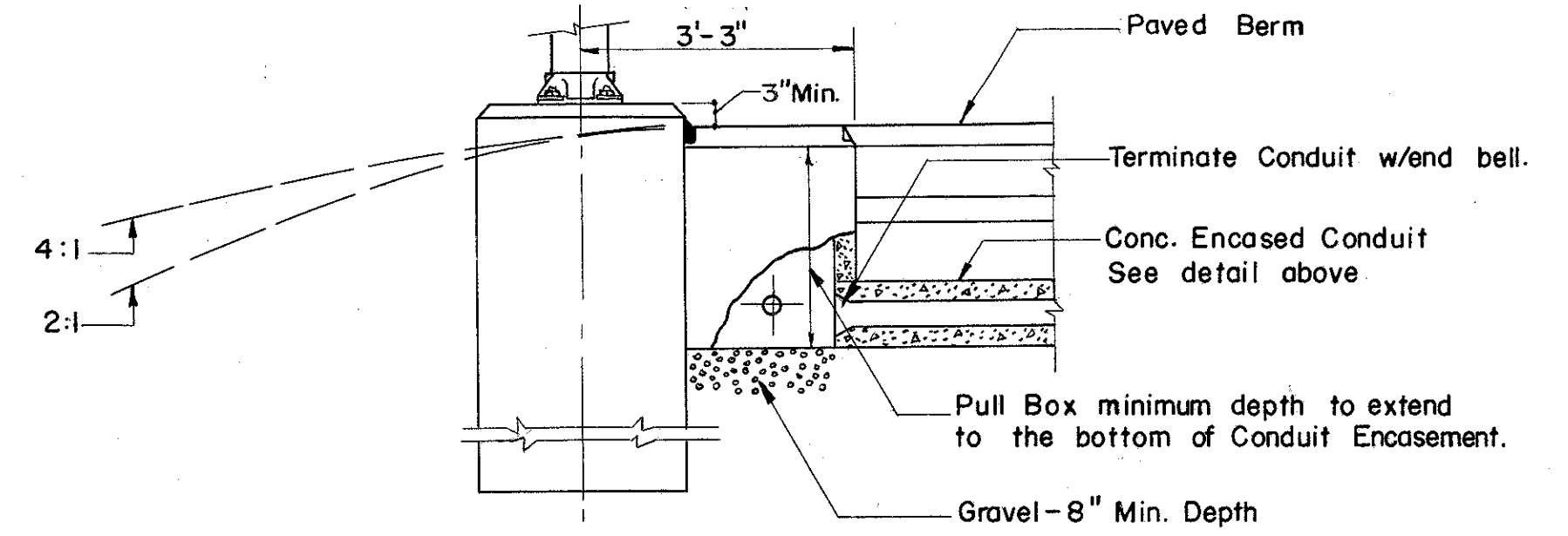
CONCRETE ENCASED CONDUIT



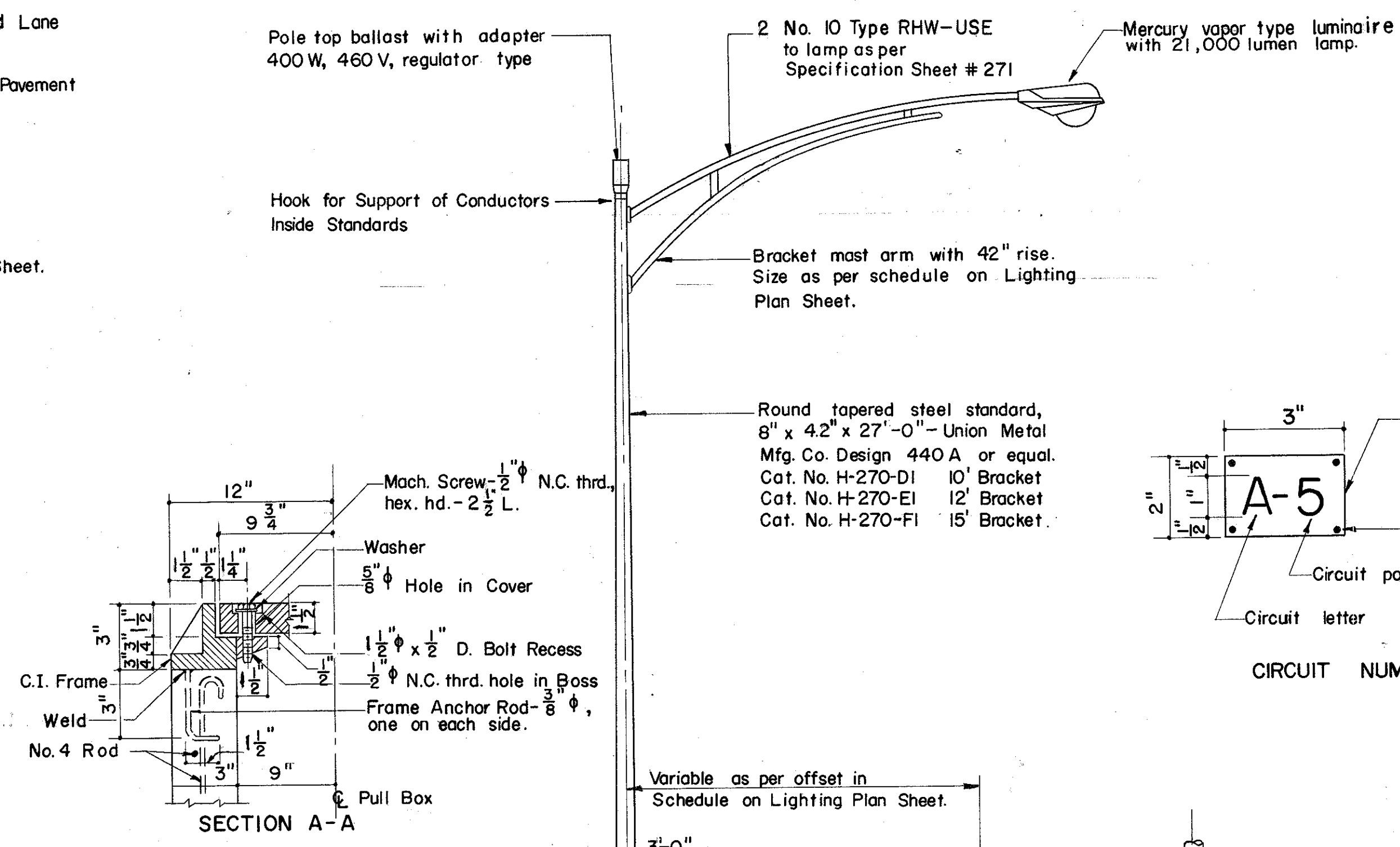
NORMAL LOCATION



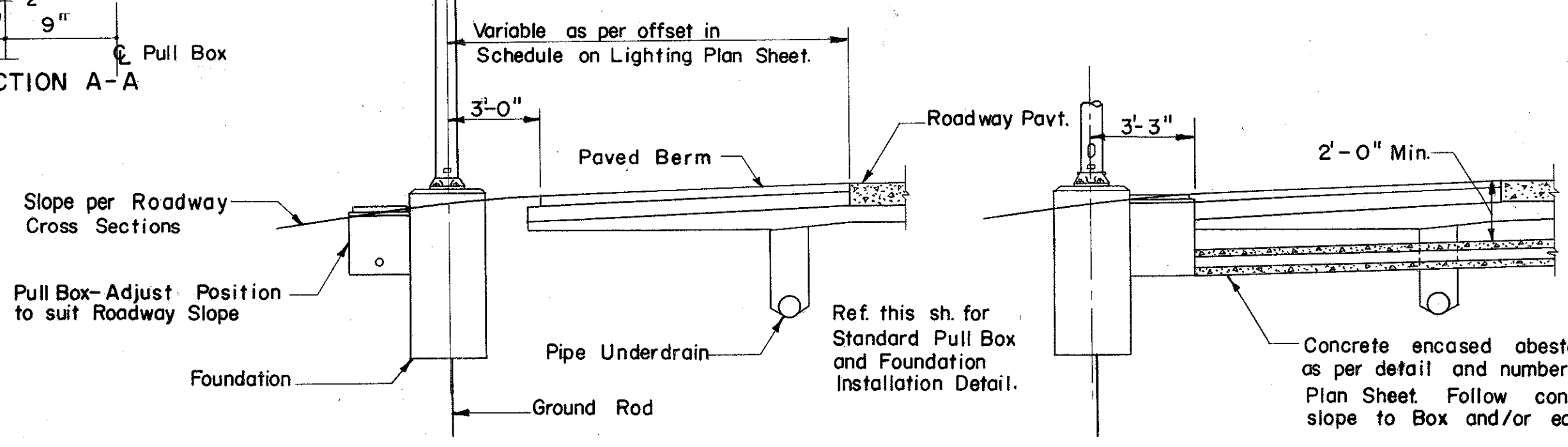
CONDUIT CROSSING LOCATION



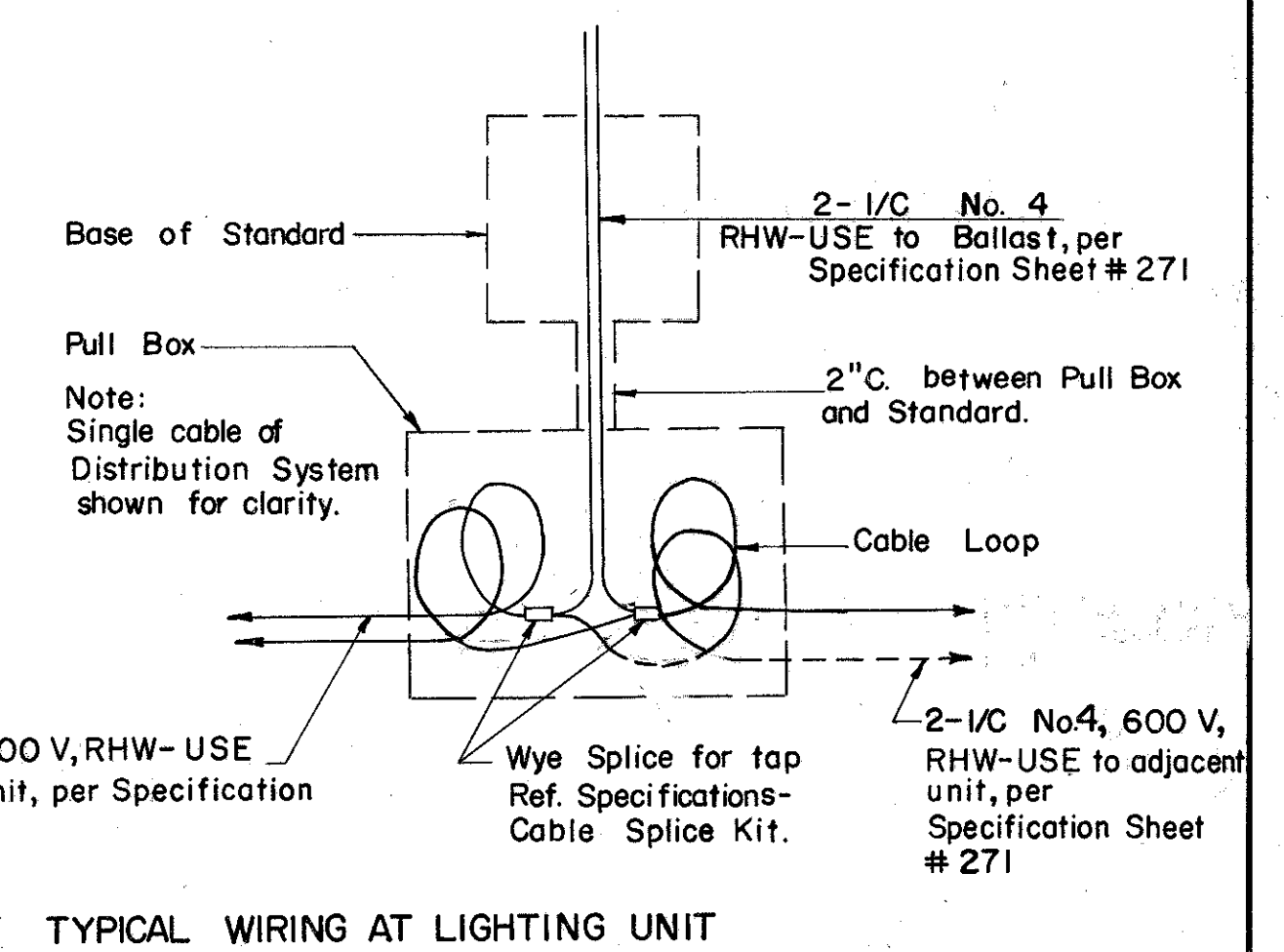
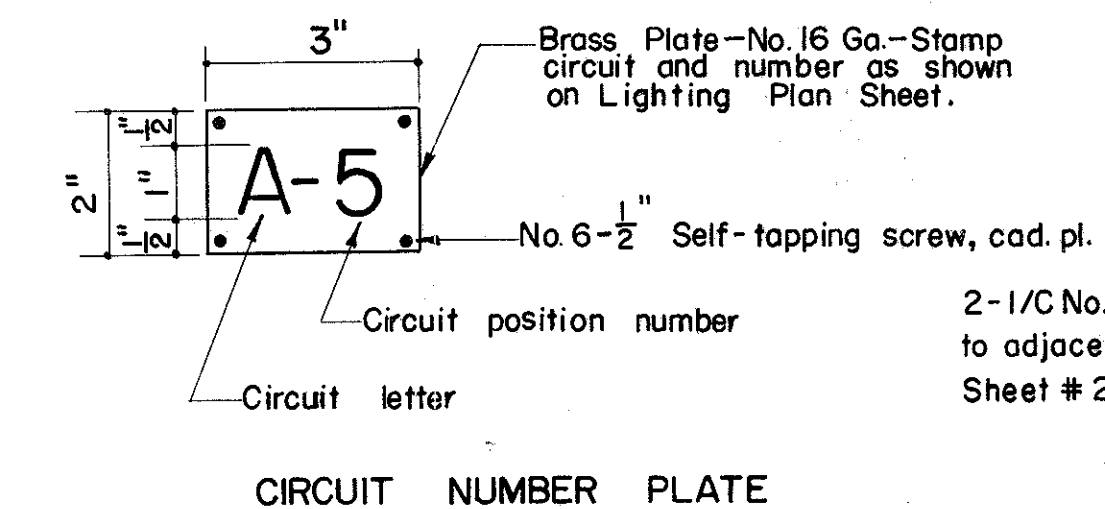
PULL BOX AND LIGHTING STANDARD FOUNDATION DETAIL



NORMAL LOCATION



TYPICAL LIGHTING UNIT AND INSTALLATION DETAIL



LIGHTING DETAILS