

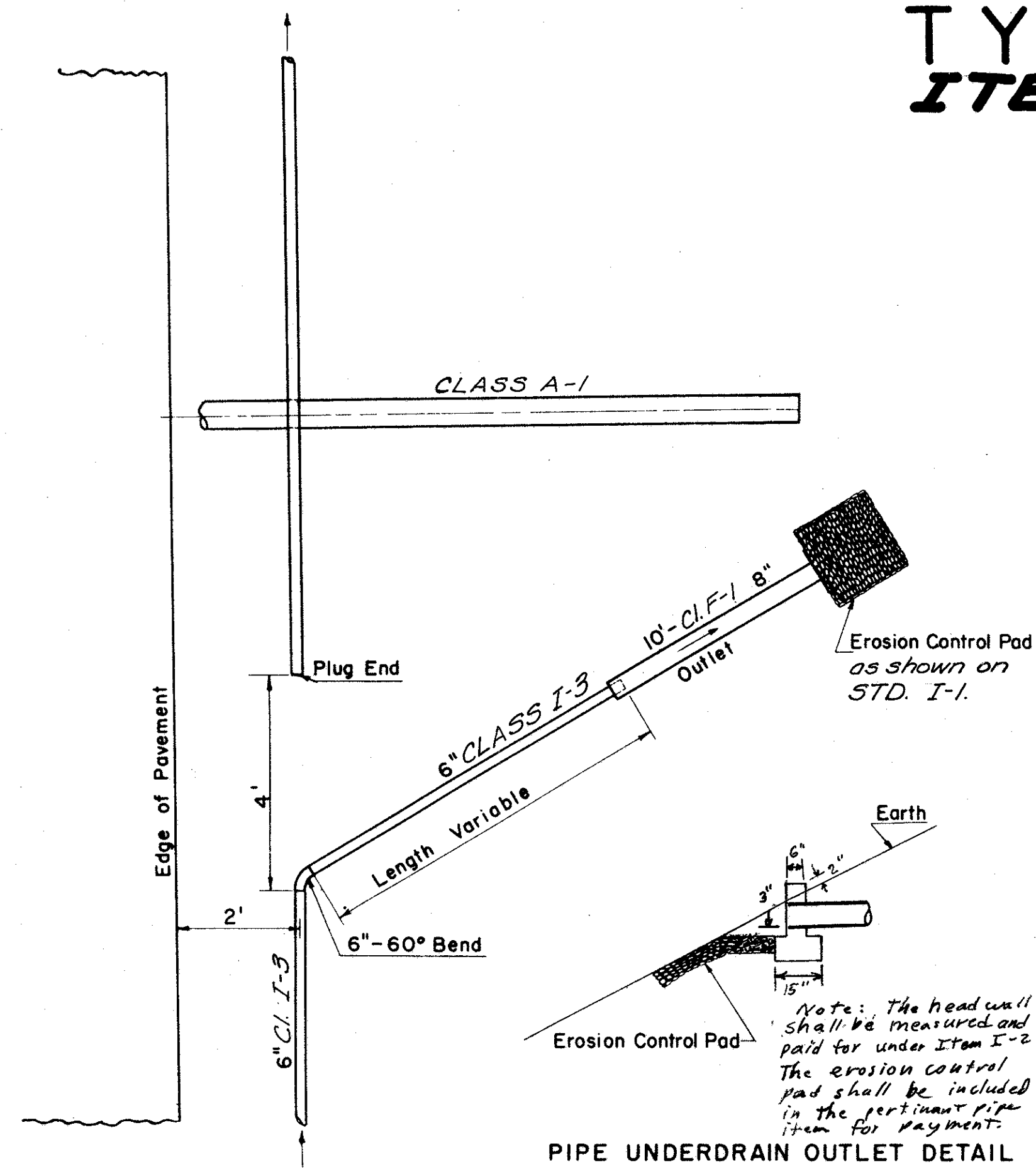
# TYPICAL DETAILS

## ITEM I-1, CLASS A-1, F-1 & I-3

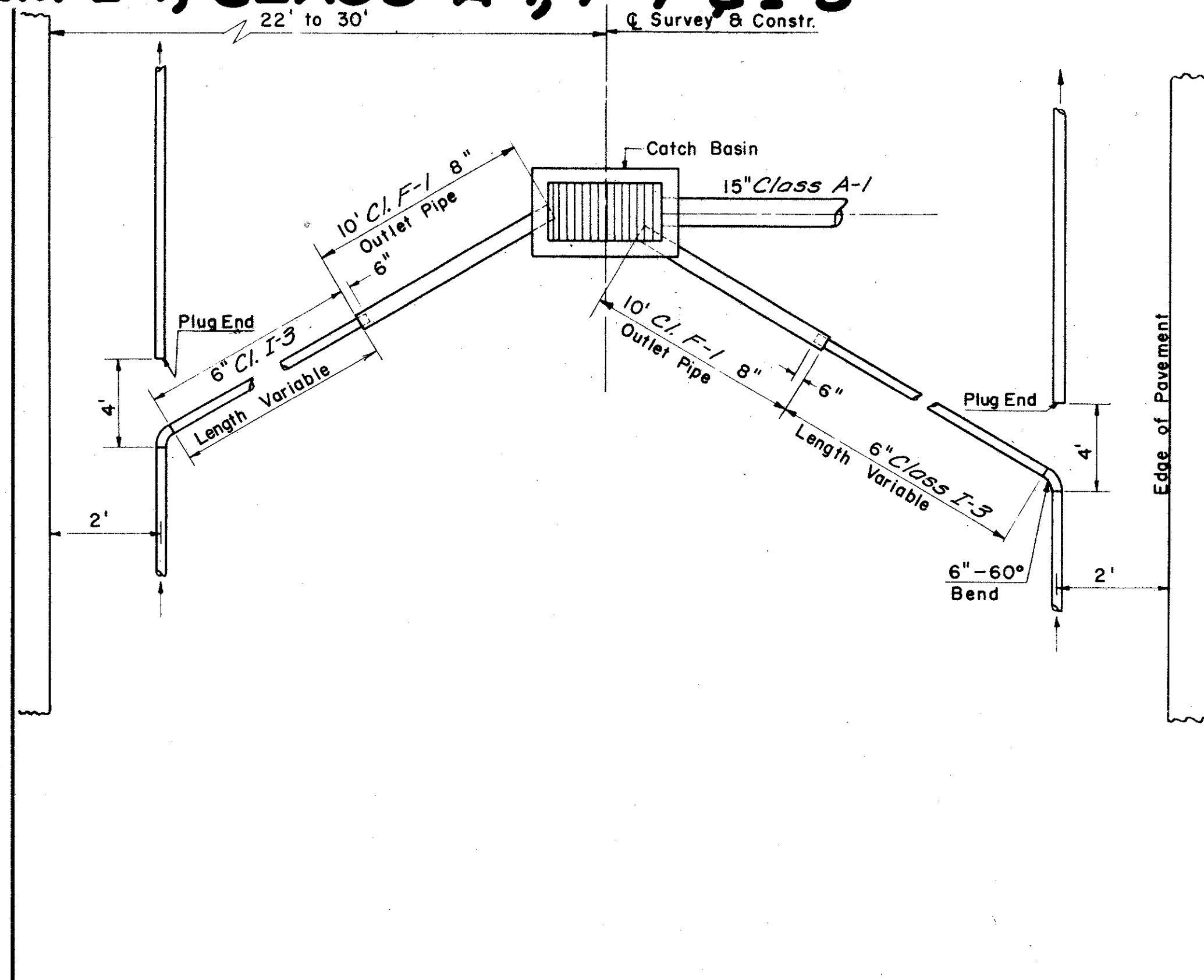
FED. RD. DIVISION	STATE	PROJECT	
2	OHIO		

267  
384

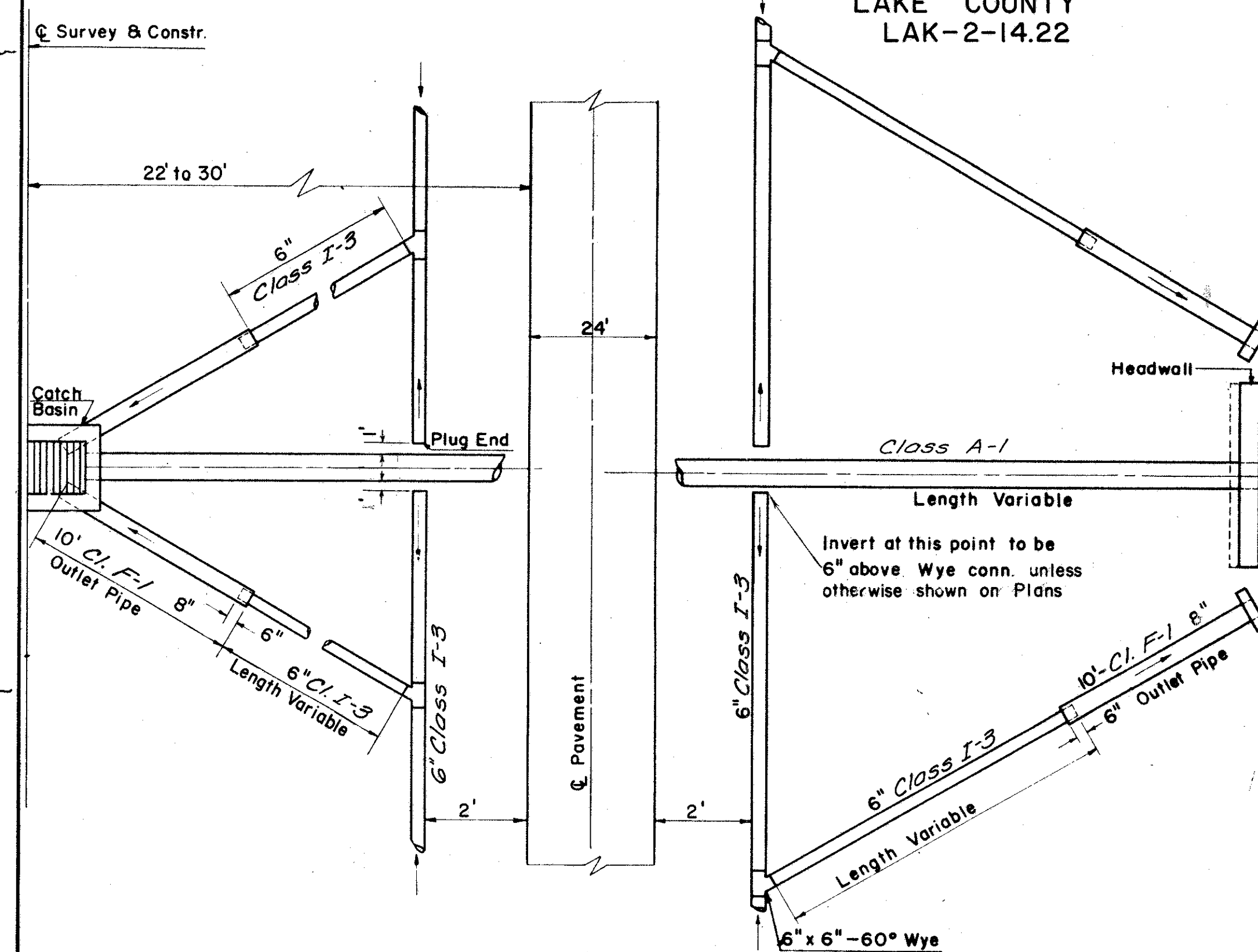
LAKE COUNTY  
LAK-2-14.22



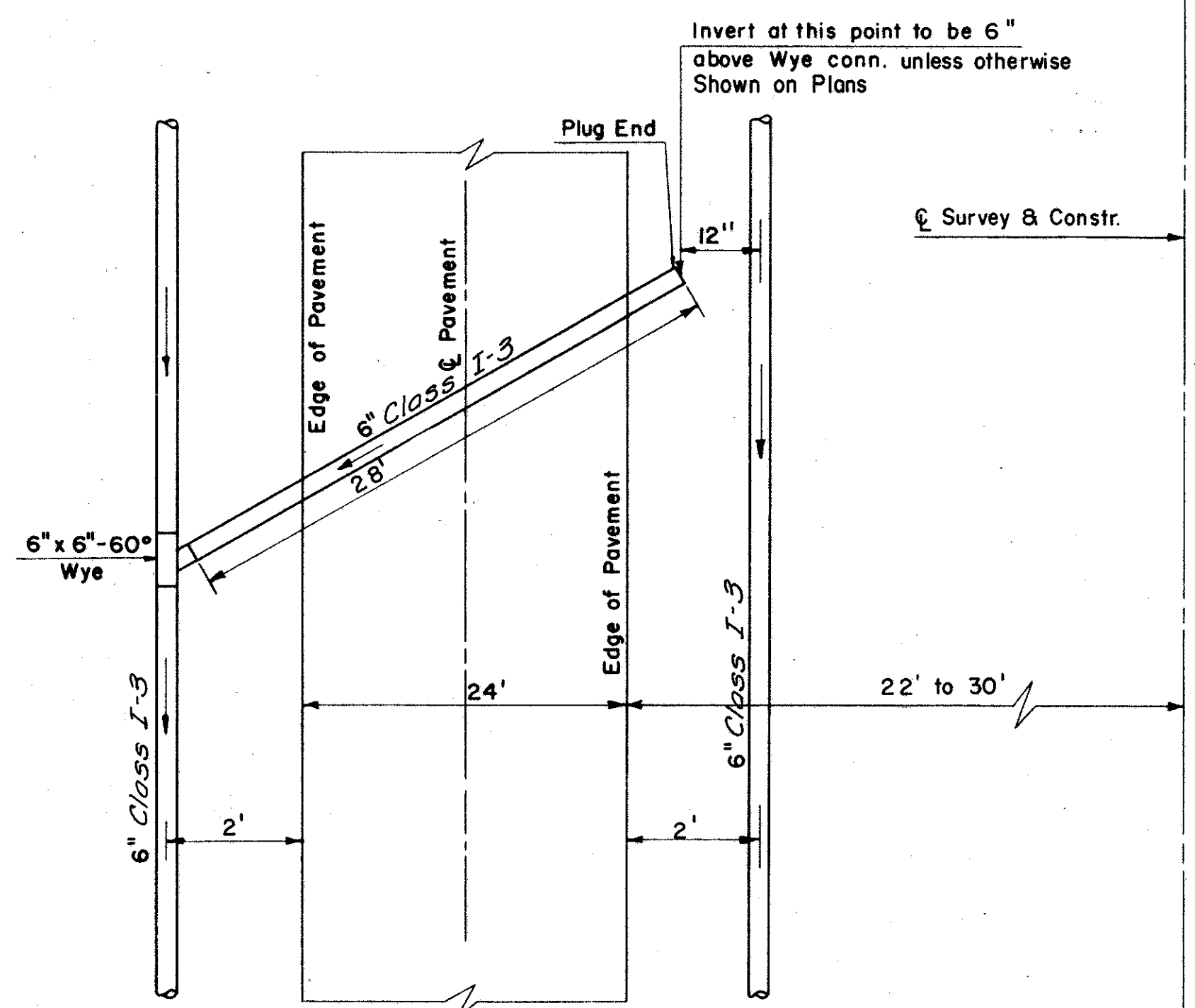
UNDERDRAIN OUTLET DETAIL A



UNDERDRAIN OUTLET DETAIL B

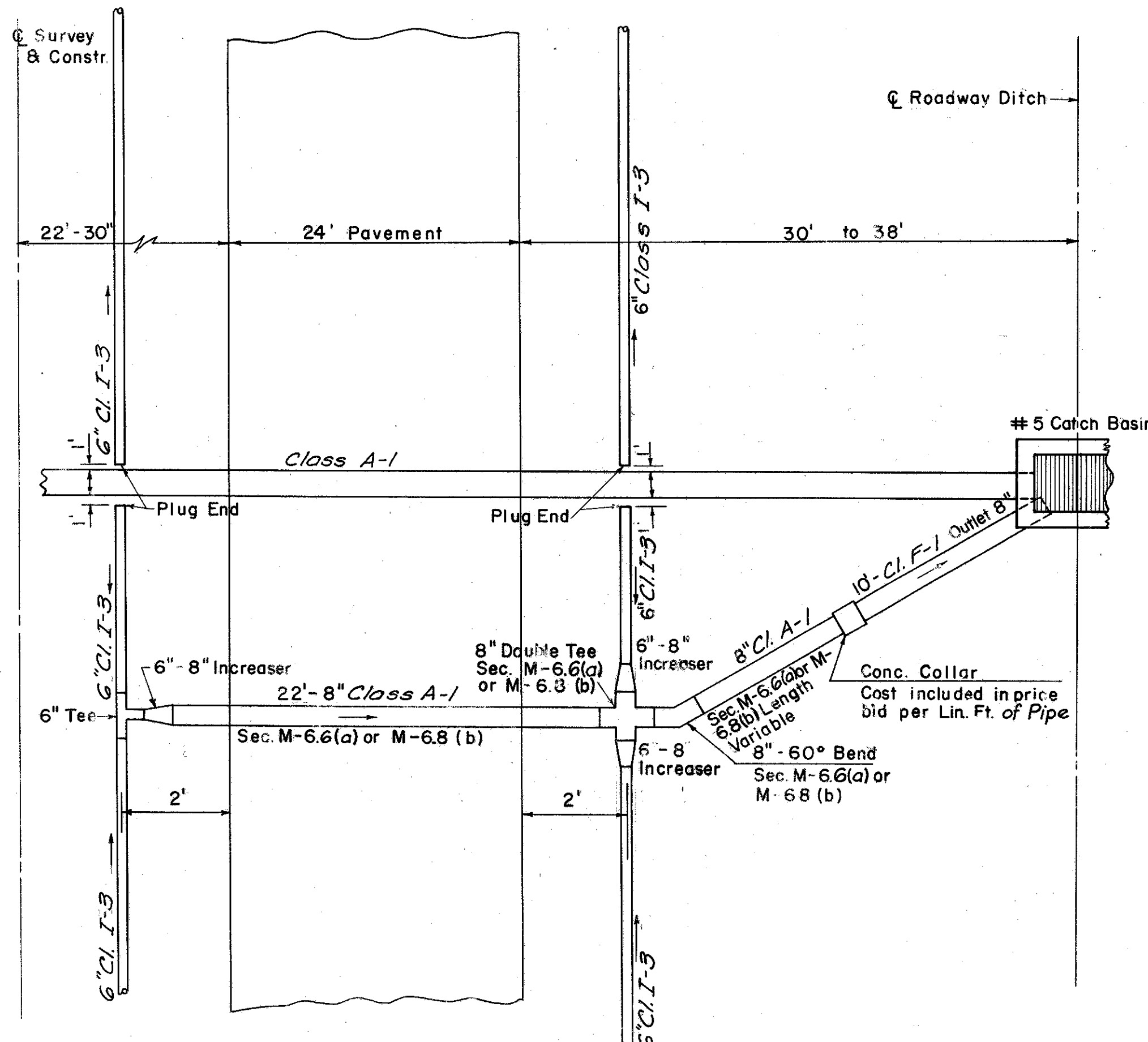


UNDERDRAIN OUTLET DETAIL C

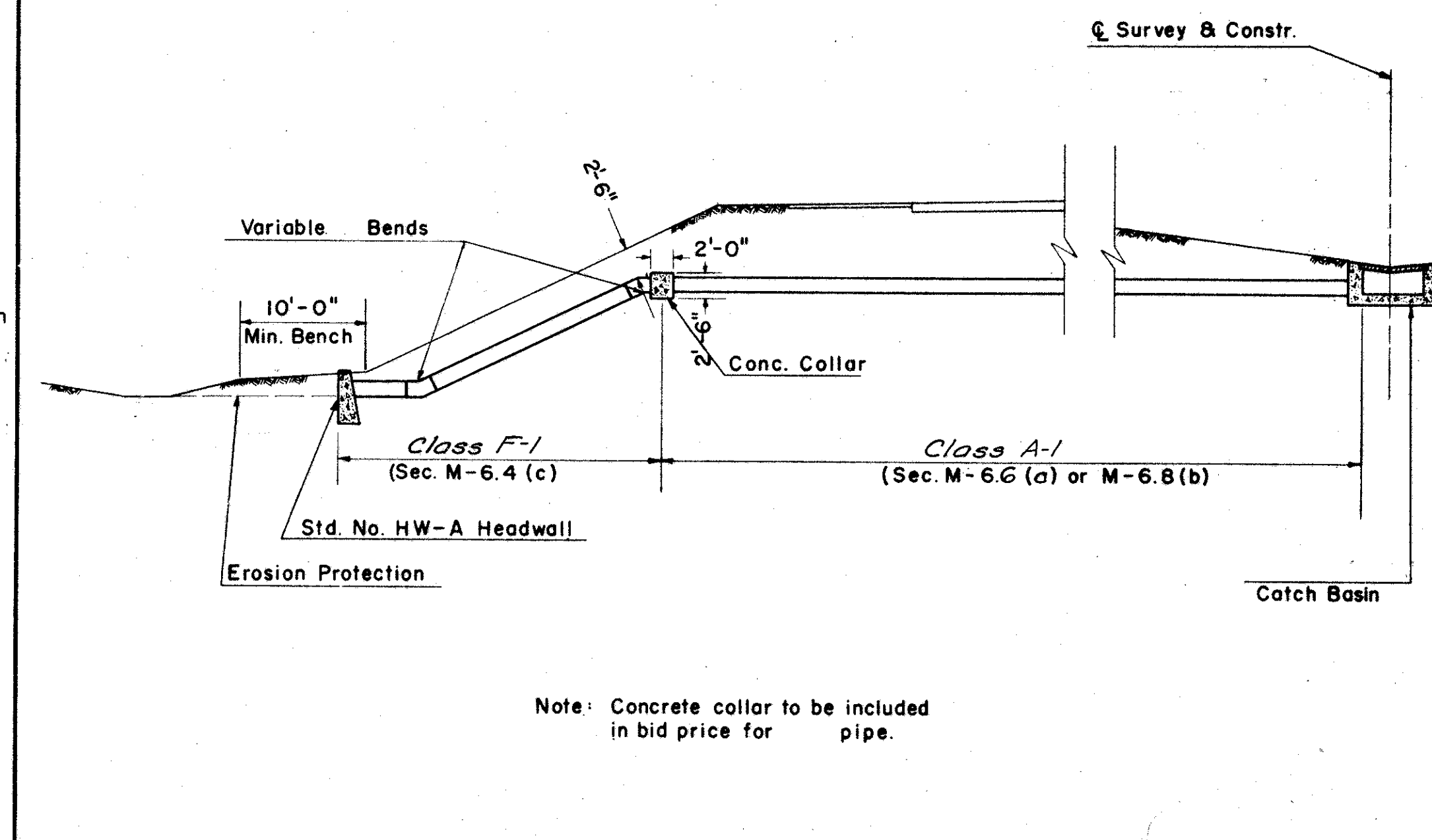


DETAIL CLASS I-3 CROSSOVER

CUT TO FILL SECTION



UNDERDRAIN OUTLET DETAIL E



MEDIAN OUTLET DETAIL IN HIGH FILL