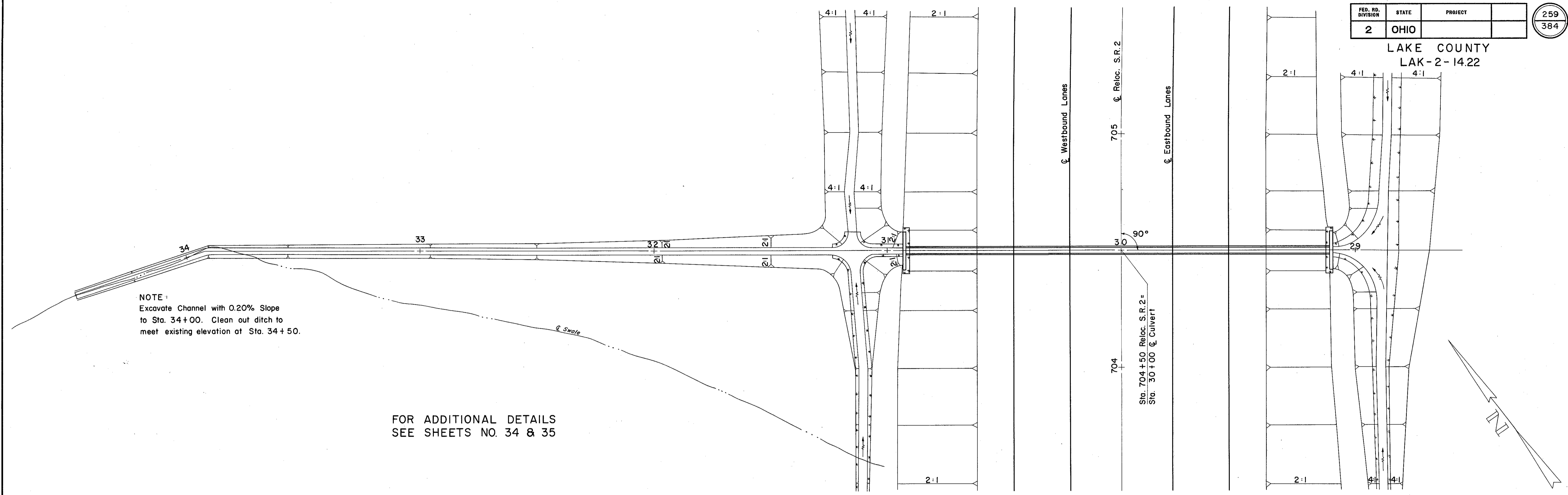


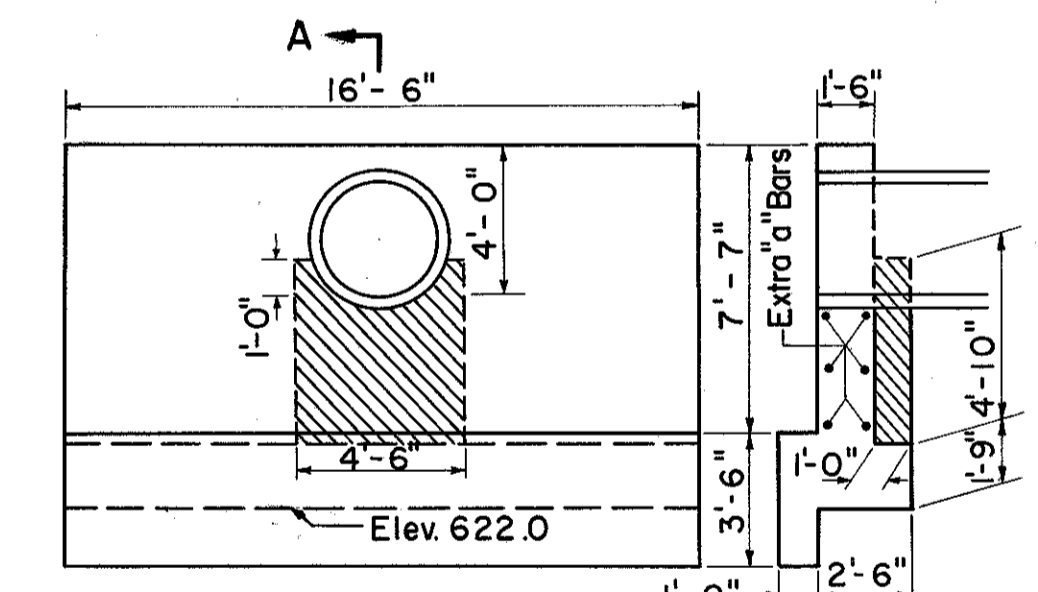
LAKE COUNTY
LAK-2-14.22



NOTE:
Excavate Channel with 0.20% Slope to Sta. 34+00. Clean out ditch to meet existing elevation at Sta. 34+50.

FOR ADDITIONAL DETAILS
SEE SHEETS NO. 34 & 35

TYPE STD. HW-C. -- LT. (MODIFIED)

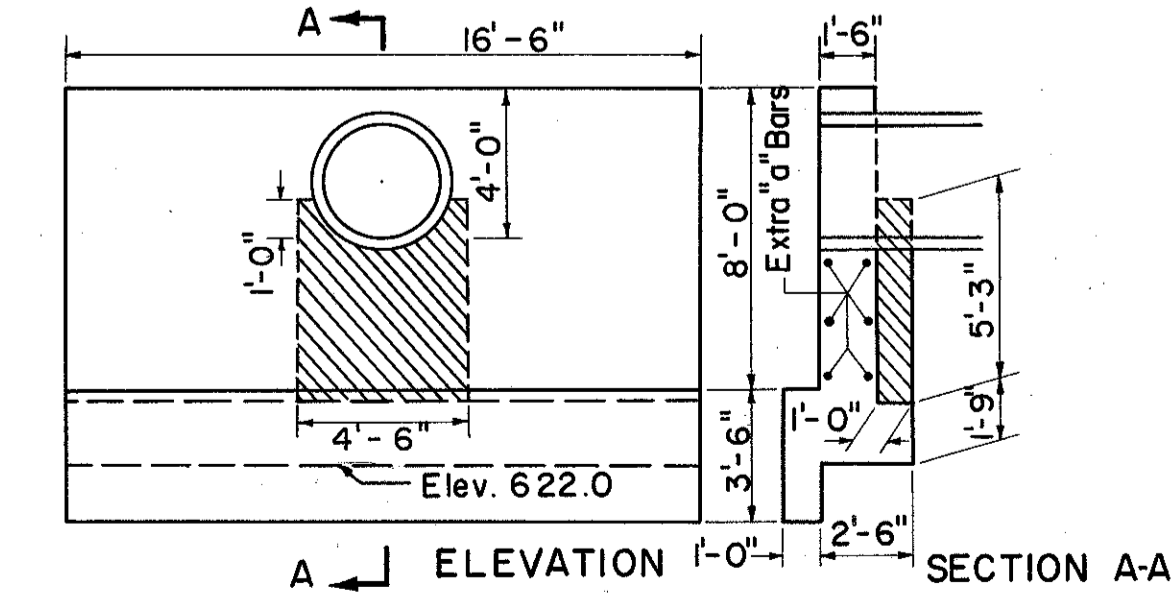


REINFORCING STEEL LIST & ESTIMATED QUANTITIES

Symbol	No.	Length	Weight - Lbs.	Concrete Cu. Yds.
a	17	16'-2"	288	
c	12	7'-1"	89	
d	6	9'-7"	61	
f	6	4'-1"	26	
h	10	12'-3"	184	
			648	

FOR FURTHER DETAILS
SEE STD. CONSTR.
DWG. HW-C.

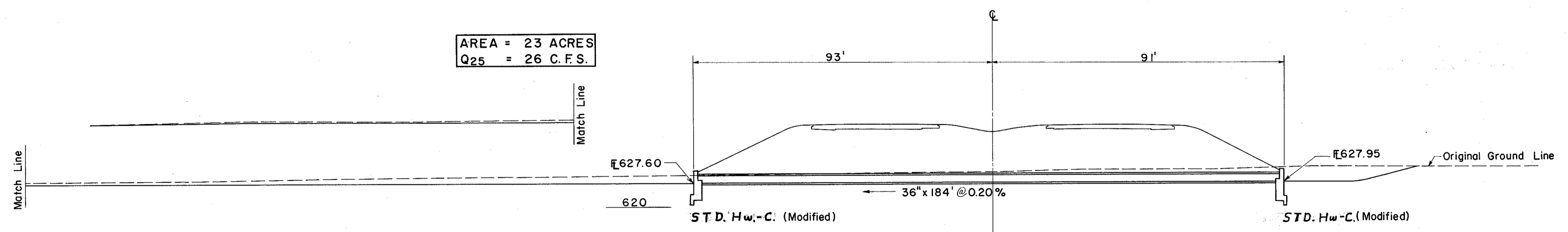
TYPE STD. HW-C. -- RT. (MODIFIED)



REINFORCING STEEL LIST & ESTIMATED QUANTITIES

Symbol	No.	Length	Weight - Lbs.	Concrete - Cu. Yds.
a	17	16'-2"	288	
c	12	7'-1"	89	
d	6	10'-1"	63	
f	6	4'-1"	26	
h	10	12'-10"	262	
			728	

AREA = 23 ACRES
Q25 = 26 C.F.S.



Scale: 1" = 20'

CULVERT DATA

TYPE: Pipe Culvert, Sec. M-6.6 (c) with Type "C" Headwalls (Modified)
SIZE: 36" x 184"
WORK REQUIRED: Build 36" Pipe Culvert with Type "C" Headwalls (Modified - See Detail) Place 18" of Sodding behind Headwalls and Excavate Channel as shown.

ESTIMATED QUANTITIES

E-3	Channel Excavation	99 C.Y.
I-2	Masonry	245 C.Y.
I-1	36" Pipe Class A-1 Sec. M-6.6 (c)	184 L.F.
L-10	Sodding	8 S.Y.

Station	Elevation	E-3	E-3 Area
627.10 Sta. 32+50	628.1	E-3 = 5 Sq. Ft.	626.2 Sta. 34+50
627.20 Sta. 32+00	628.8	E-3 = 10 Sq. Ft.	626.80 Sta. 34+00
627.30 Sta. 31+50	629.8	E-3 = 20 Sq. Ft.	627.3
627.60 Sta. 30+95	630.0	E-3 = 17 Sq. Ft.	626.90 Sta. 33+50
			627.4
			627.8

STRUCTURE NO. LAK-2-1523
PIPE CULVERT STA. 704+50