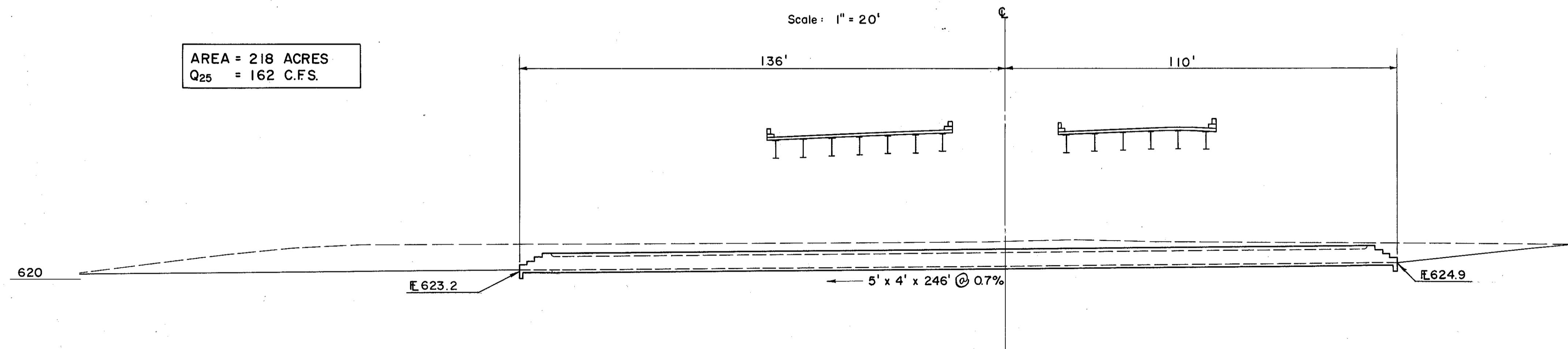


FOR ADDITIONAL DETAILS  
SEE SHEET NO. 32

AREA = 218 ACRES  
Q<sub>25</sub> = 162 C.F.S.

Scale: 1" = 20'



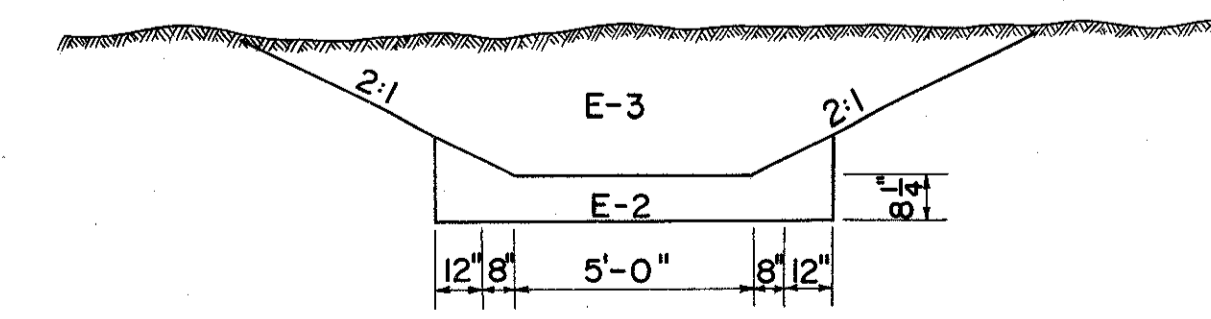
CULVERT DATA

TYPE: Std. Box Culvert  
 SIZE: 5' x 4' x 246'  
 WORK REQUIRED: Build a 5' x 4' Box Culvert and Excavate Channels as Shown. Place Sod Lt. as Shown.

ESTIMATED QUANTITIES

E-2	Excavation for Structures	68	C.Y.
E-3	Channel Excavation	1703	C.Y.
S-1	Concrete for Structures, Class "C"	123	C.Y.
S-4	Reinforcing Steel	15,438	Lbs.
L-10	Sodding	3	S.Y.

FOR CONSTRUCTION DETAILS  
SEE SHEET NO. 258



METHOD OF ESTIMATING E-2 & E-3