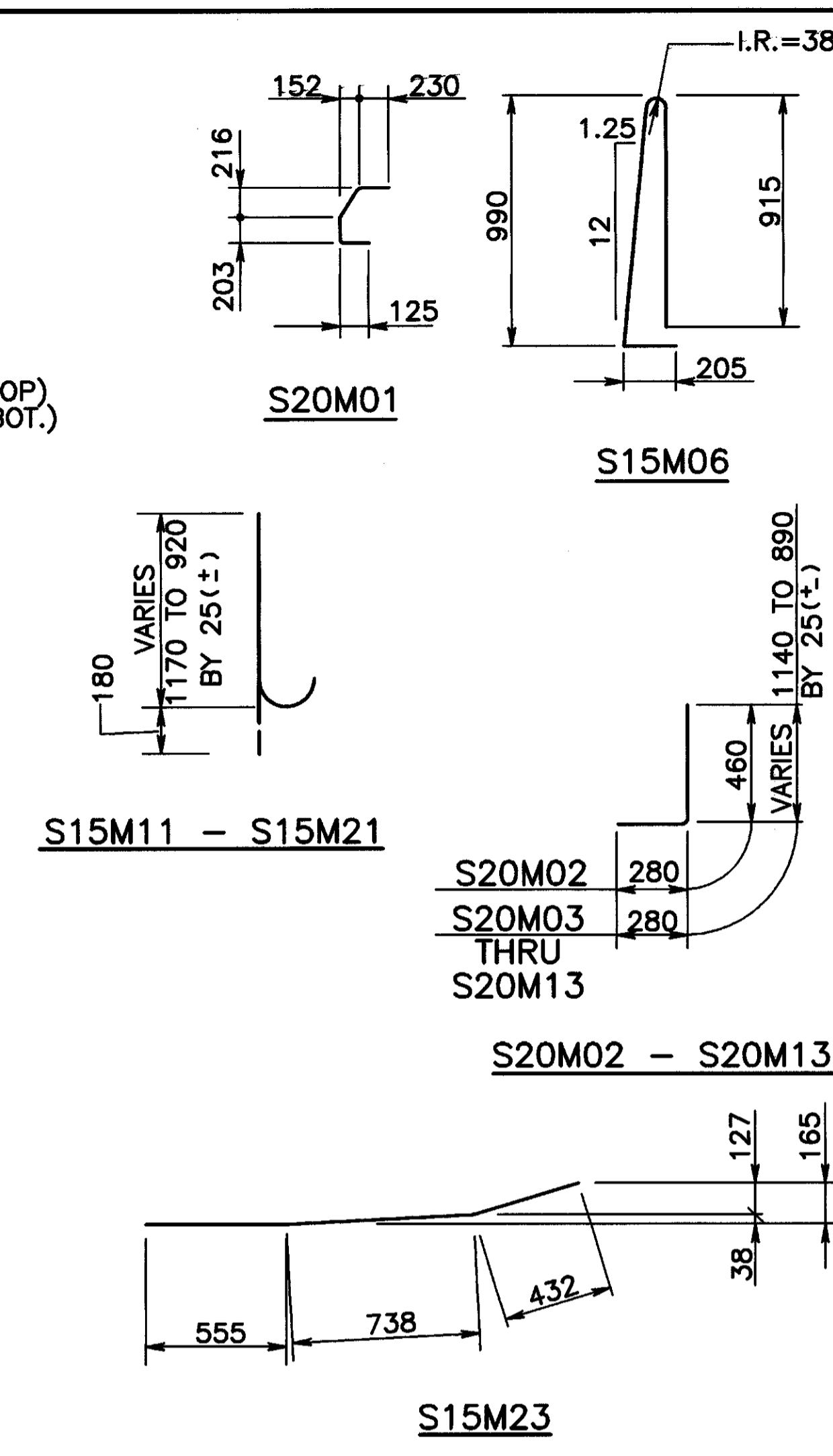
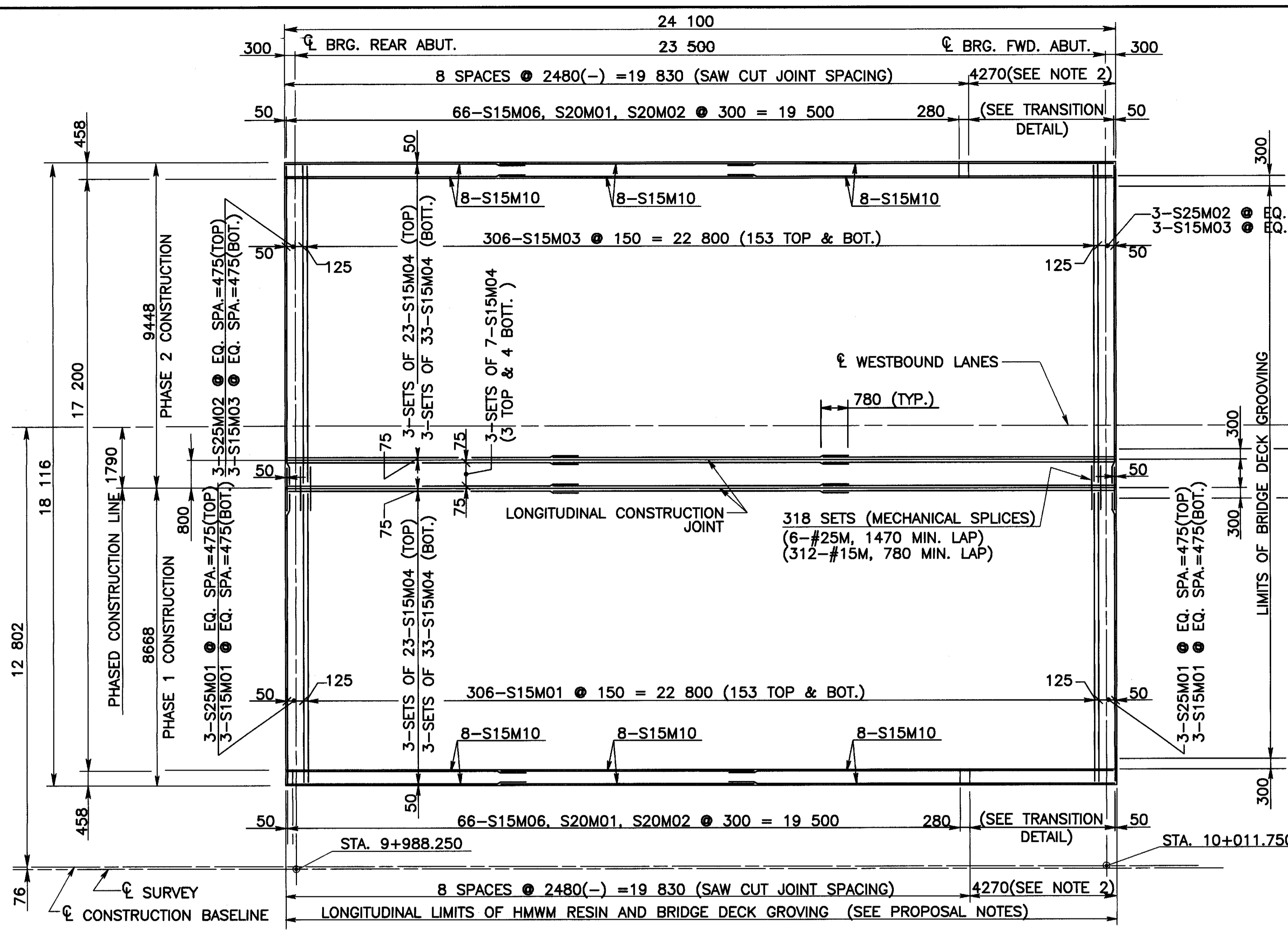
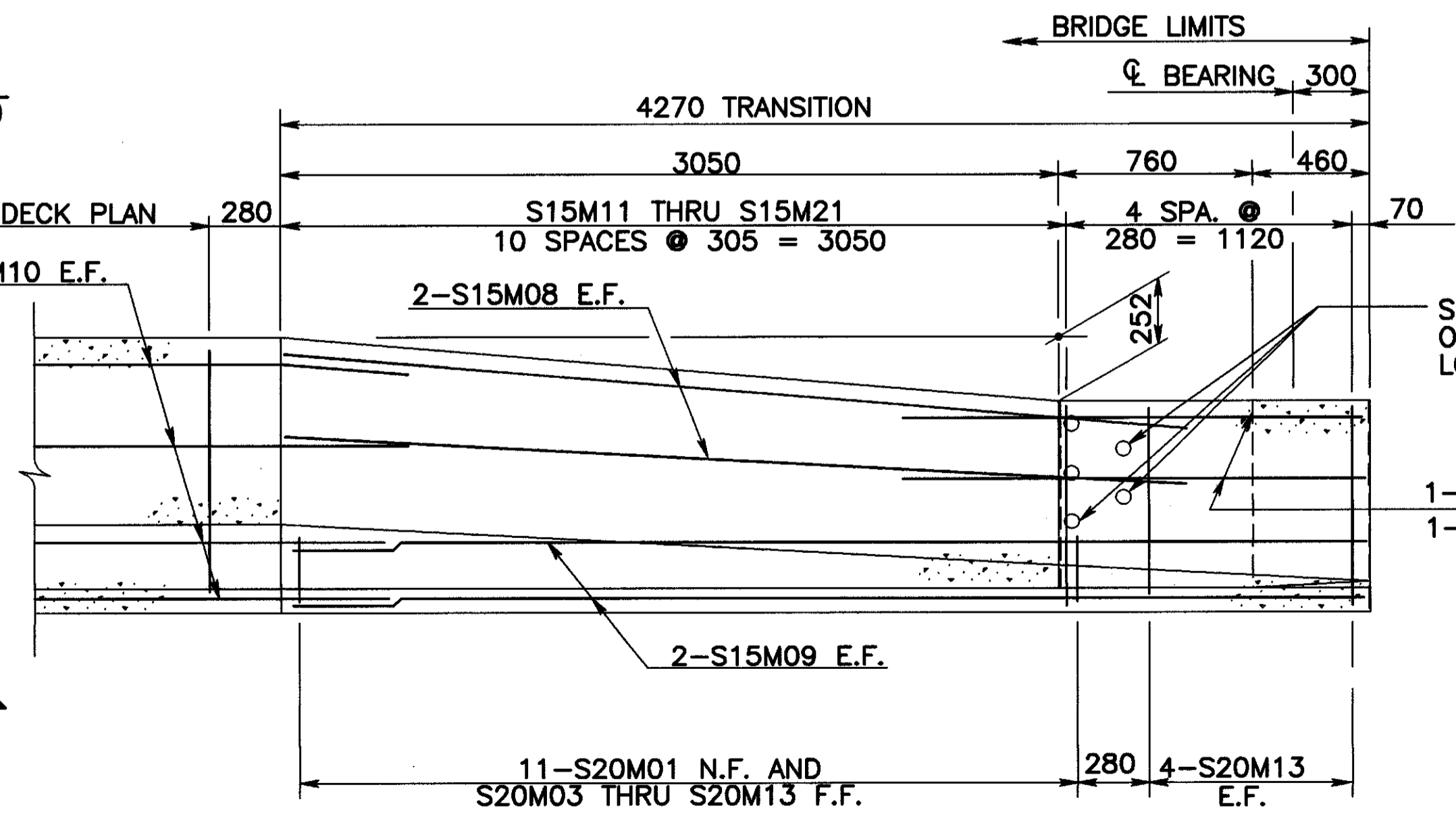
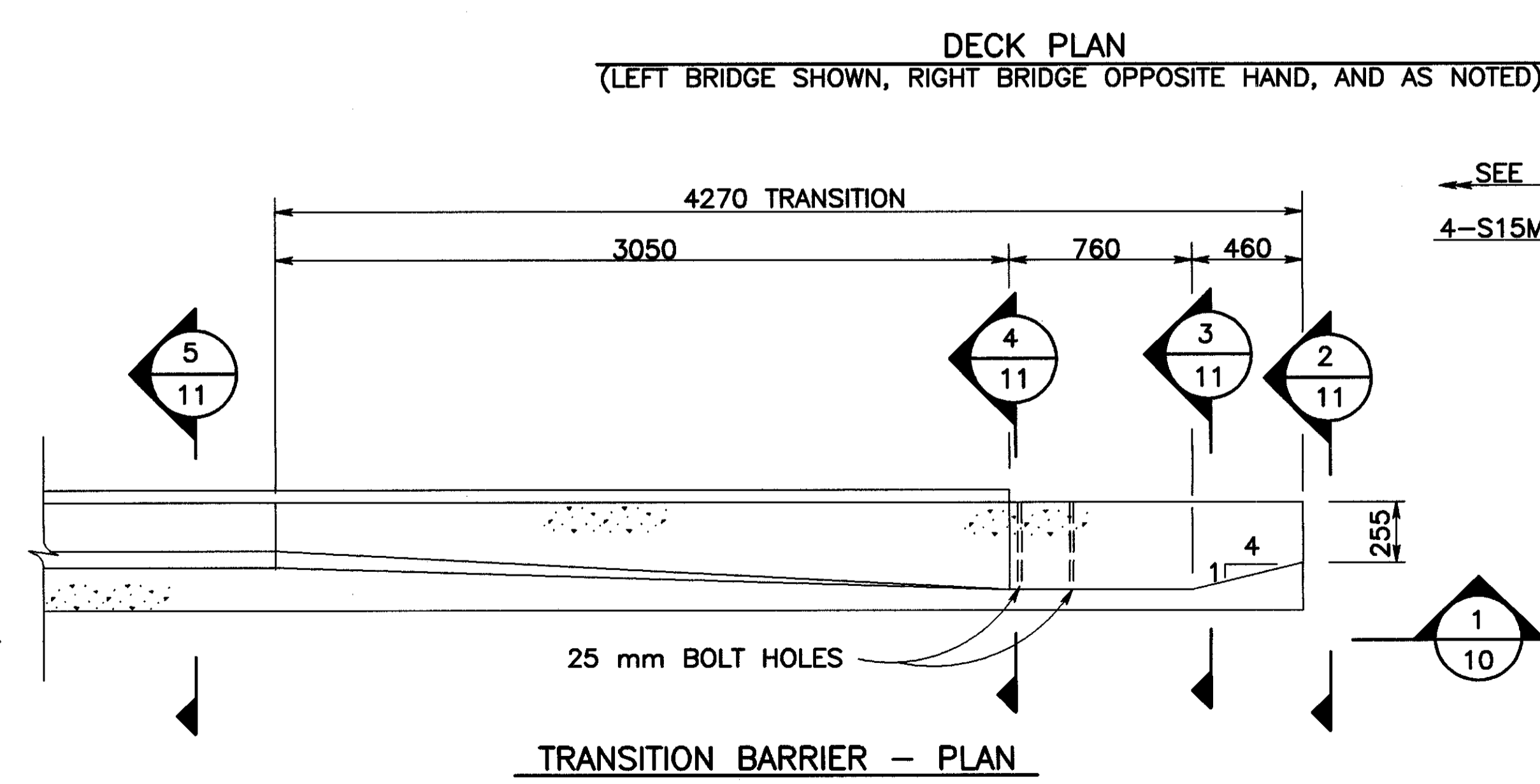


FILE: \\projects\31325\600\11221es10.dgn
DATE: 08-18-99 11:42



DECK REINFORCING SCHEDULE		
MARK	LENGTH (mm)	SHAPE
S15M01	8560	STR.
S15M03	9340	STR.
S15M04	8520	STR.
S15M06	3050	BT.
S15M08	3050	STR.
S15M09	4170	STR.
S15M10	7380	STR.
S15M11	1170	BT.
S15M12	1150	BT.
S15M13	1120	BT.
S15M14	1100	BT.
S15M15	1070	BT.
S15M16	1050	BT.
S15M17	1020	BT.
S15M18	1000	BT.
S15M19	970	BT.
S15M20	950	BT.
S15M21	920	BT.
S15M22	1730	STR.
S15M23	1730	BT.
S20M01	760	BT.
S20M02	690	BT.
S20M03	1370	BT.
S20M04	1350	BT.
S20M05	1320	BT.
S20M06	1300	BT.
S20M07	1270	BT.
S20M08	1250	BT.
S20M09	1220	BT.
S20M10	1200	BT.
S20M11	1170	BT.
S20M12	1150	BT.
S20M13	1120	BT.
S25M01	8560	STR.
S25M02	9340	STR.

ALL BARS ARE EPOXY COATED



NOTE:
1.) ALL DIMENSIONS ARE IN MILLIMETERS.
2.) PARAPET TRANSITIONS AT APPROACH ENDS ONLY.
3.) SEE SHEET 11/13 FOR DECK TYPICAL SECTION AND TRANSITION PARAPET SECTIONS.

DESIGN AGENCY: Gannett Fleming Corry & Carpenter ENGINEERS AND PLANNERS
BLONDVIEW OFFICE PARK
5015 PINE CREEK DR., COLUMBUS, OHIO 43081

DESIGNED: JR
CHECKED: JR

DRAWN: WSM
REVIEWED: JR

DATE: 10/13

DECK PLAN
BRIDGE NO. LAK - 2 - 12.231
S.R. 2 OVER NEWELL CREEK

LAK-2-12.231
(L AND R.)

10/13
40
43

AS-BUILT DRAWINGS 11/97