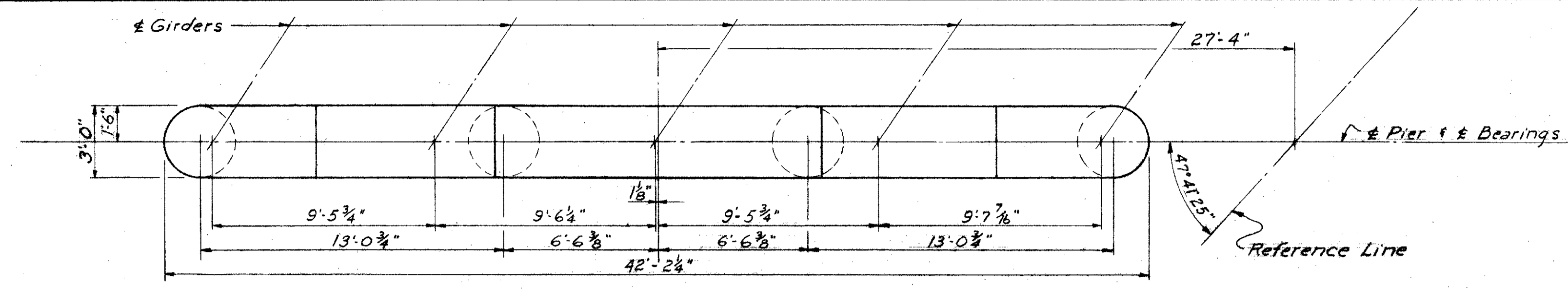
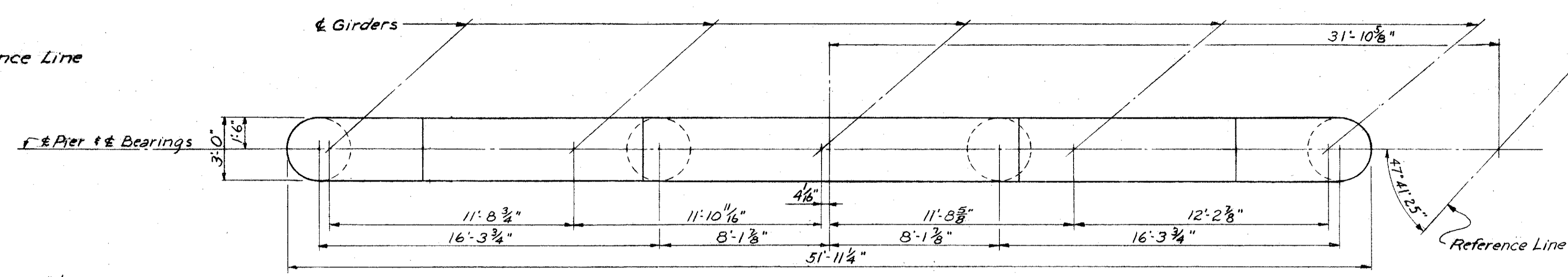


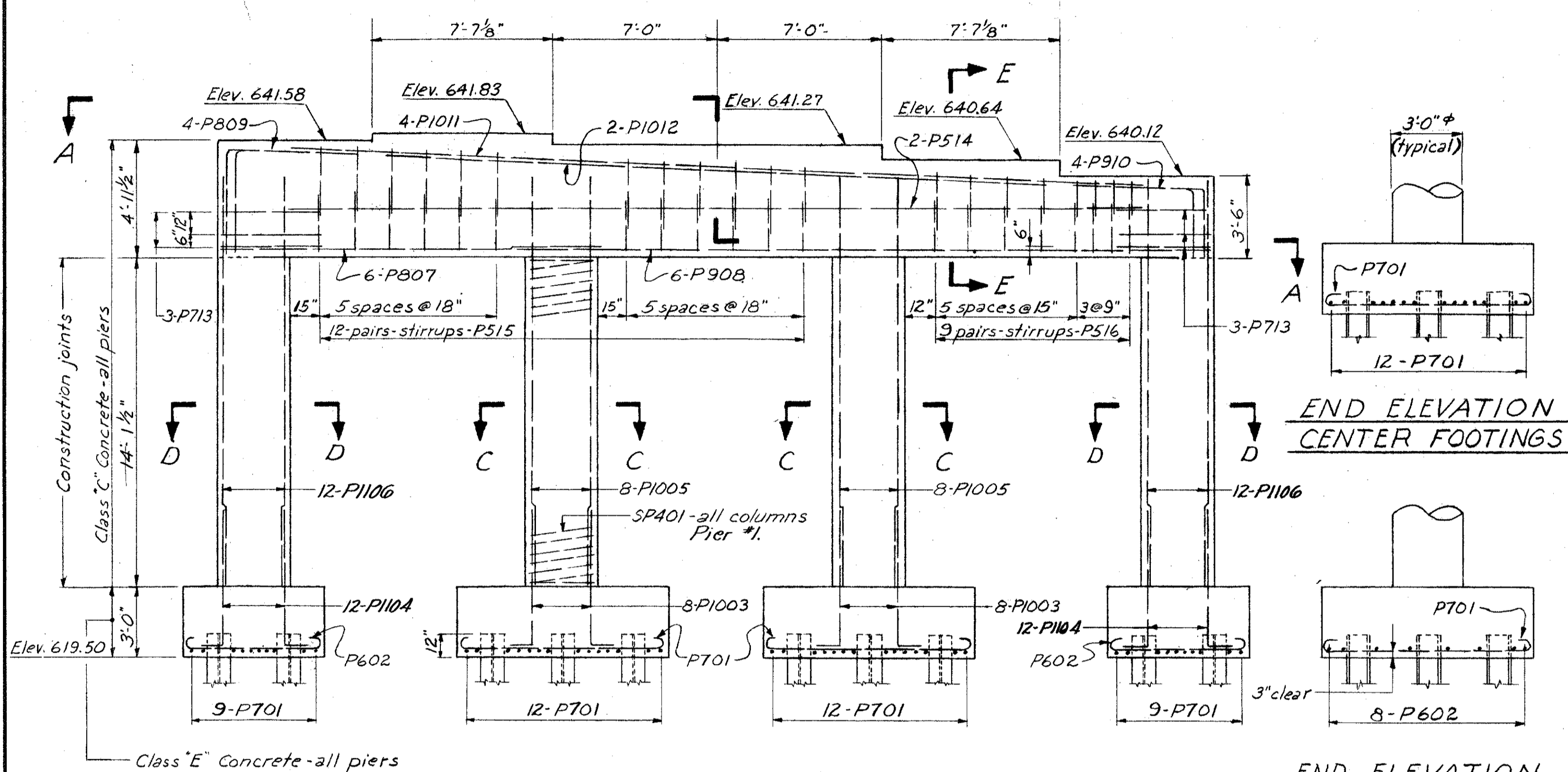
LAKE COUNTY
SEC. LAK-2-10.35



CAP PLAN - PIER NO. 1



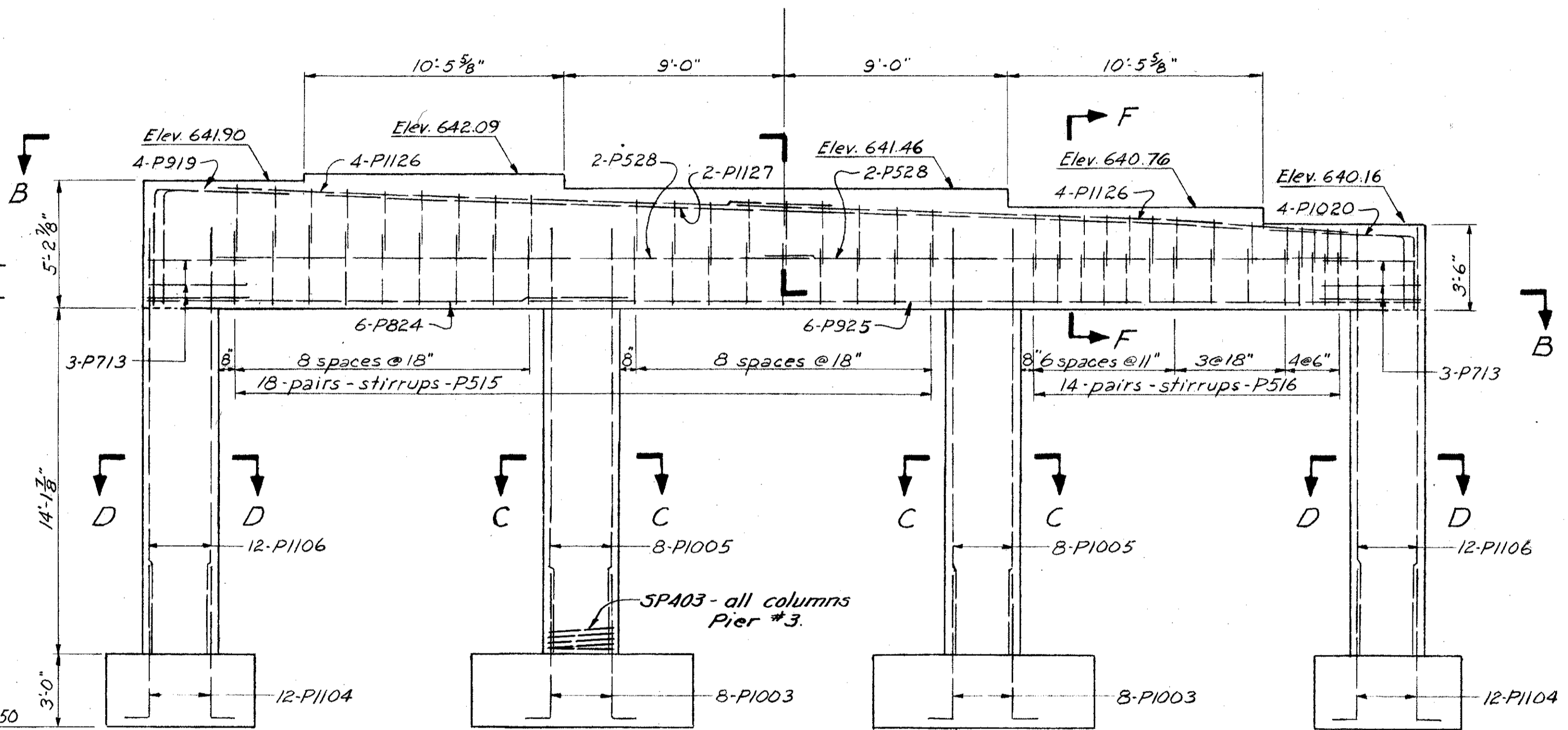
CAP PLAN - PIER NO. 3



ELEVATION - PIER NO. 1
(LOOKING AHEAD)

END ELEVATION
CENTER FOOTINGS

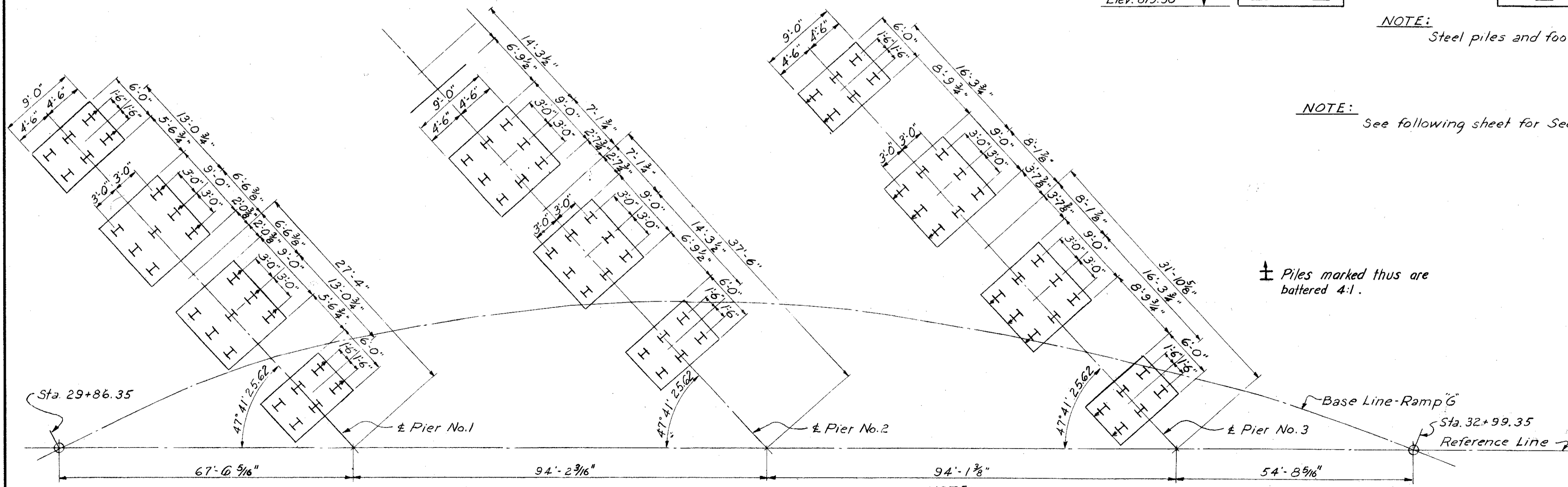
END ELEVATION
END FOOTINGS



ELEVATION - PIER NO. 3
(LOOKING AHEAD)

NOTE: Steel piles and footing reinforcing not shown - see Pier No. 1

NOTE: See following sheet for Sections



PIER FOOTING LAYOUT

NOTE: All footings to have steel piles, 12 BP53

± Piles marked thus are battered 4:1.

DESIGNED
JUL 1 1965

SEC. L-33

PREPARED BY
CAPITOL ENGINEERING ASSOCIATES, DILLSBURG, PA.
FOR

STATE OF OHIO
DEPARTMENT OF HIGHWAYS
DIVISION OF DESIGN AND CONSTRUCTION
BUREAU OF BRIDGES

PIERS
BRIDGE NO. LAK-2-1350
RELOC. S.R. 2 UNDER S.R. 44-RAMP G
LAKE COUNTY
STA. 613 + 25.24

DESIGNED	DRAWN	TRACED	CHECKED	REVISED DATE	REVISED
JEM	JEM			3-31-60	