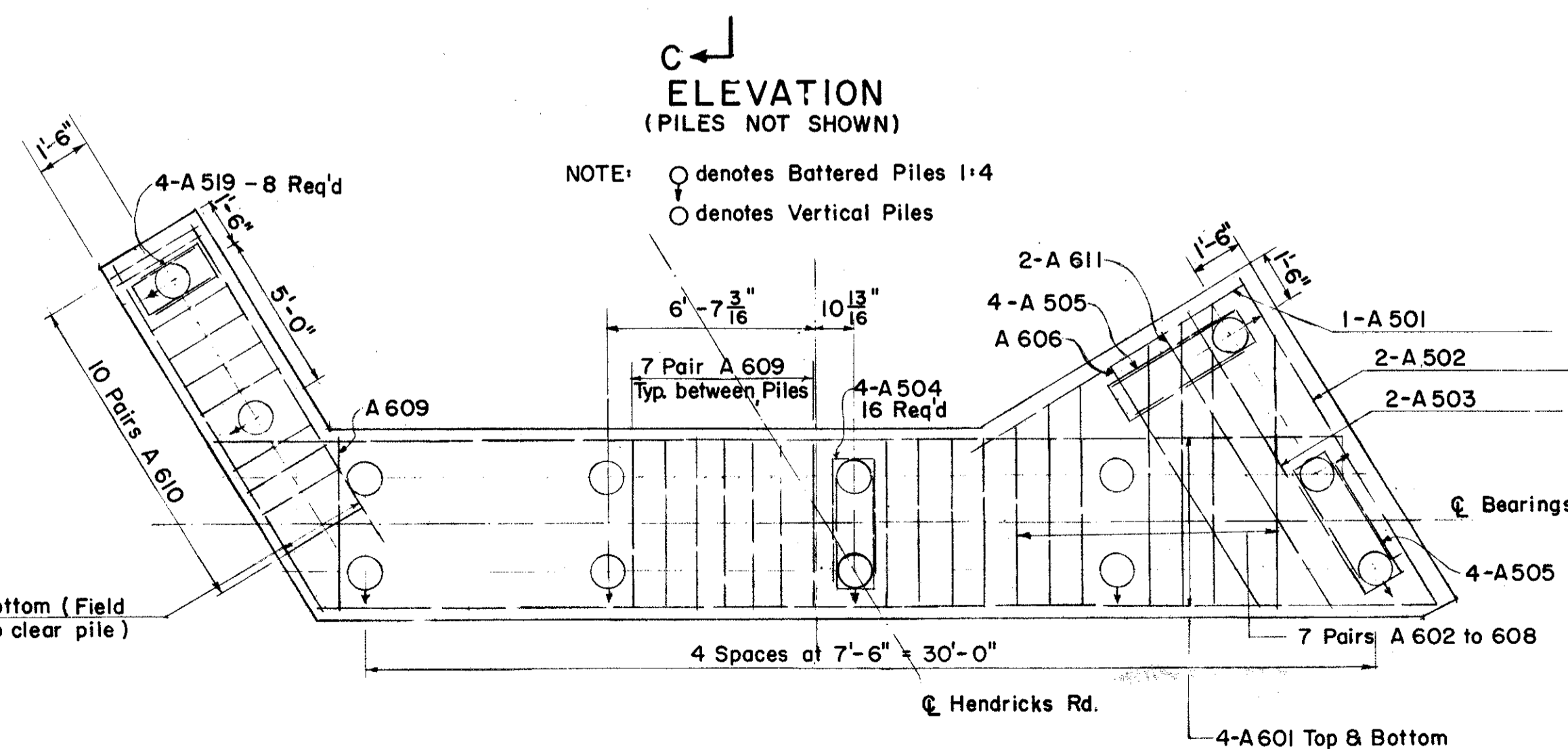
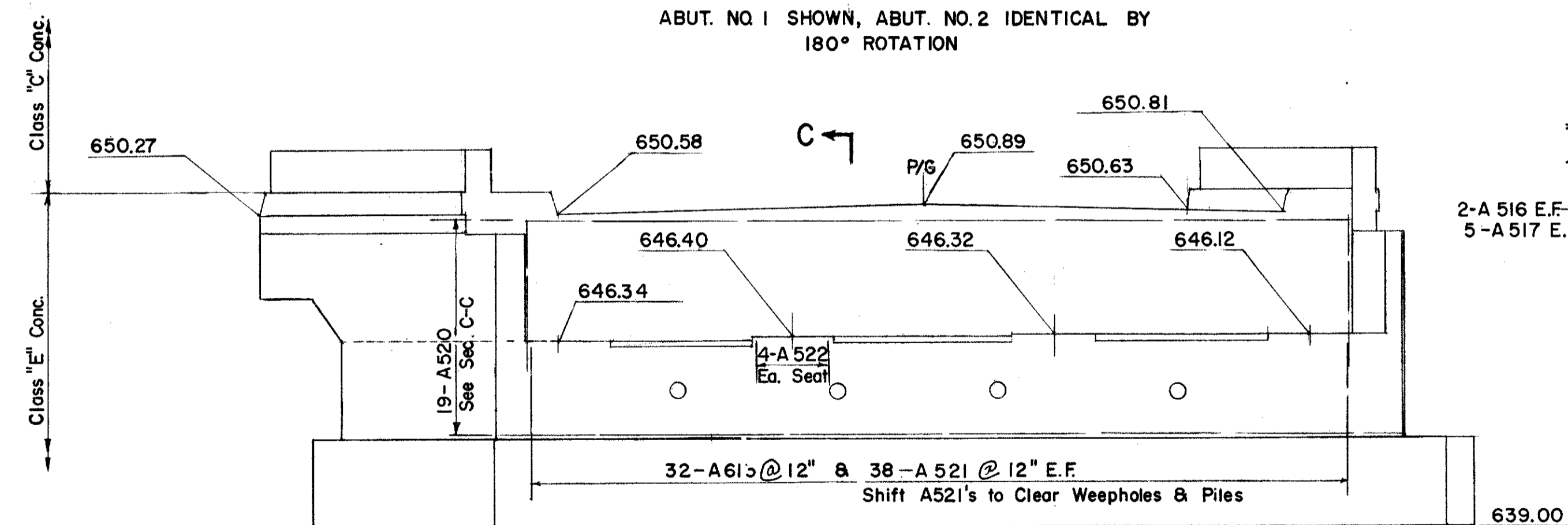
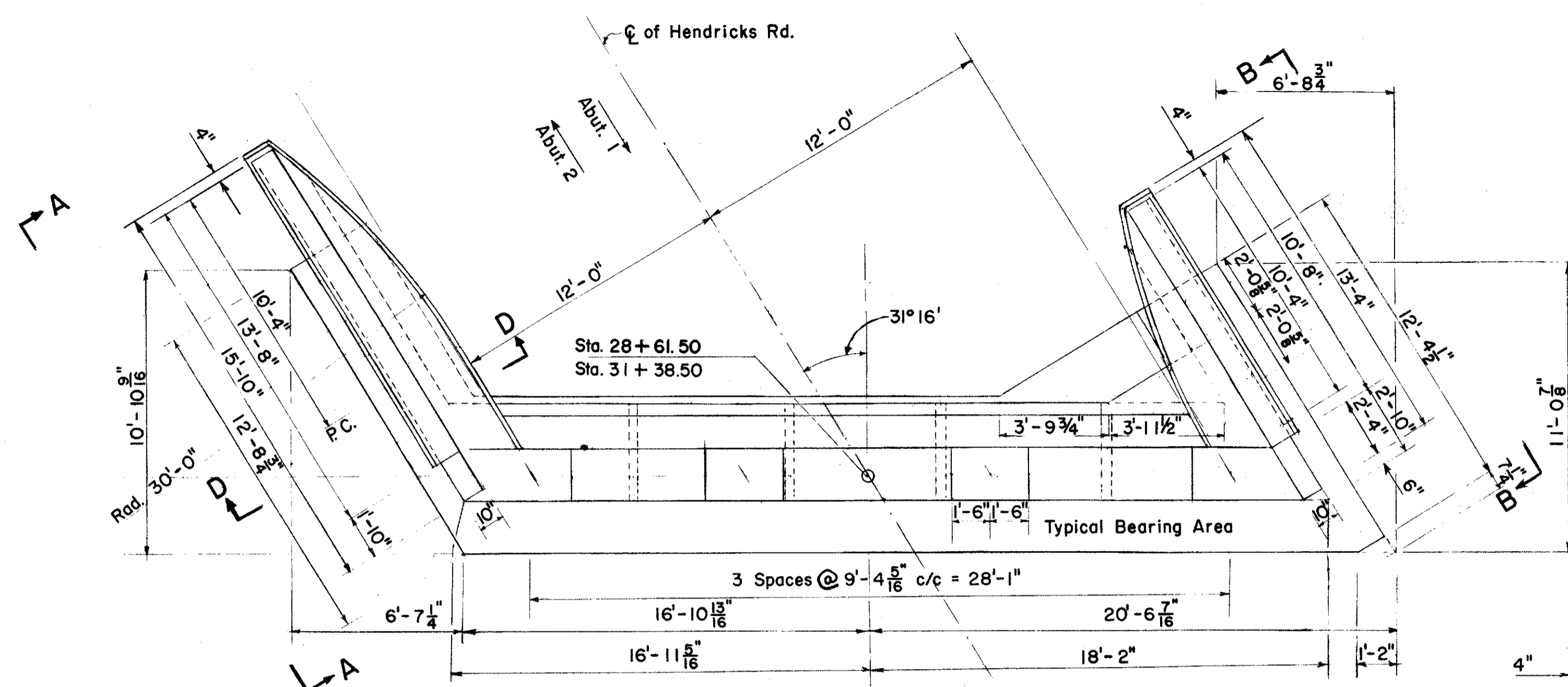
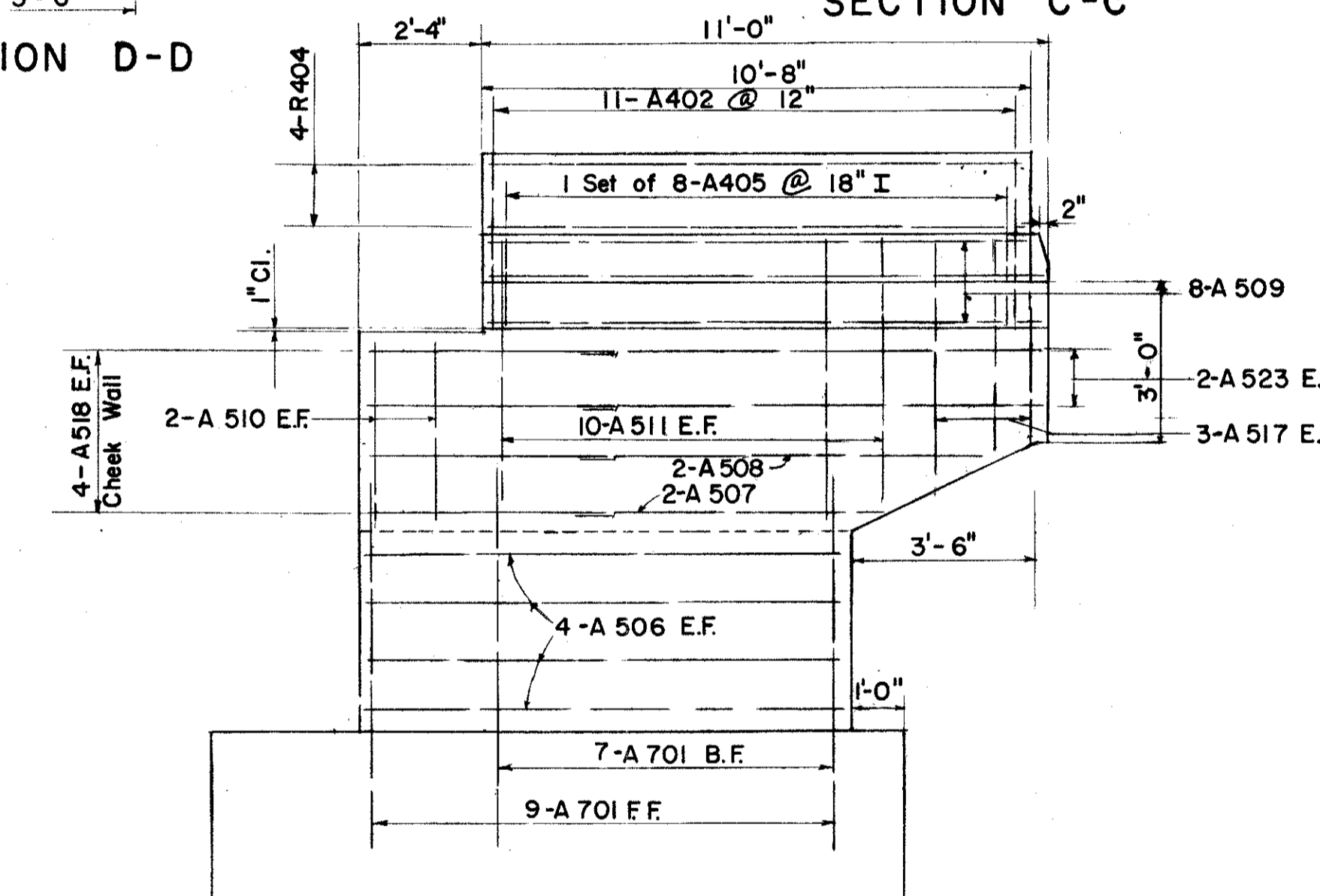
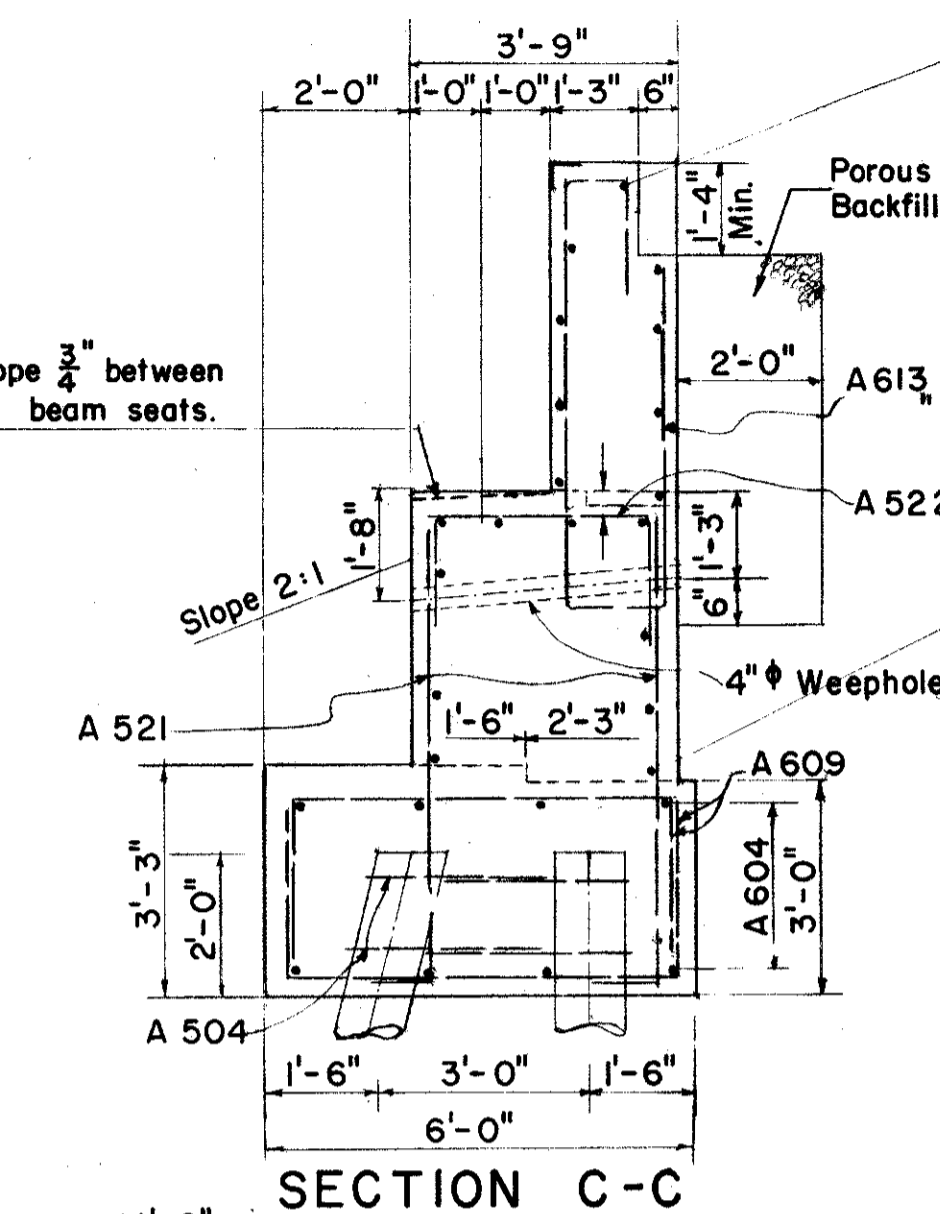
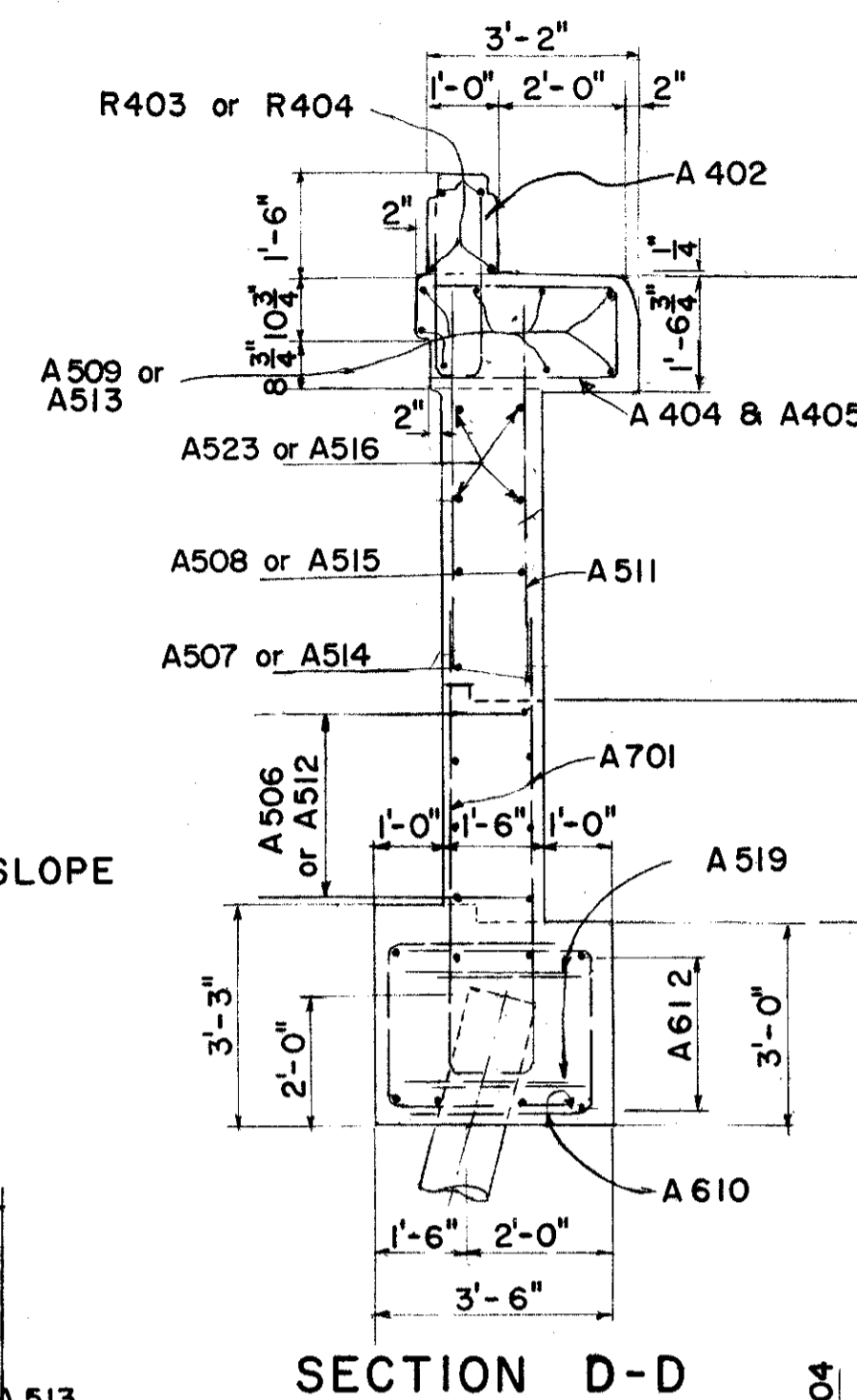
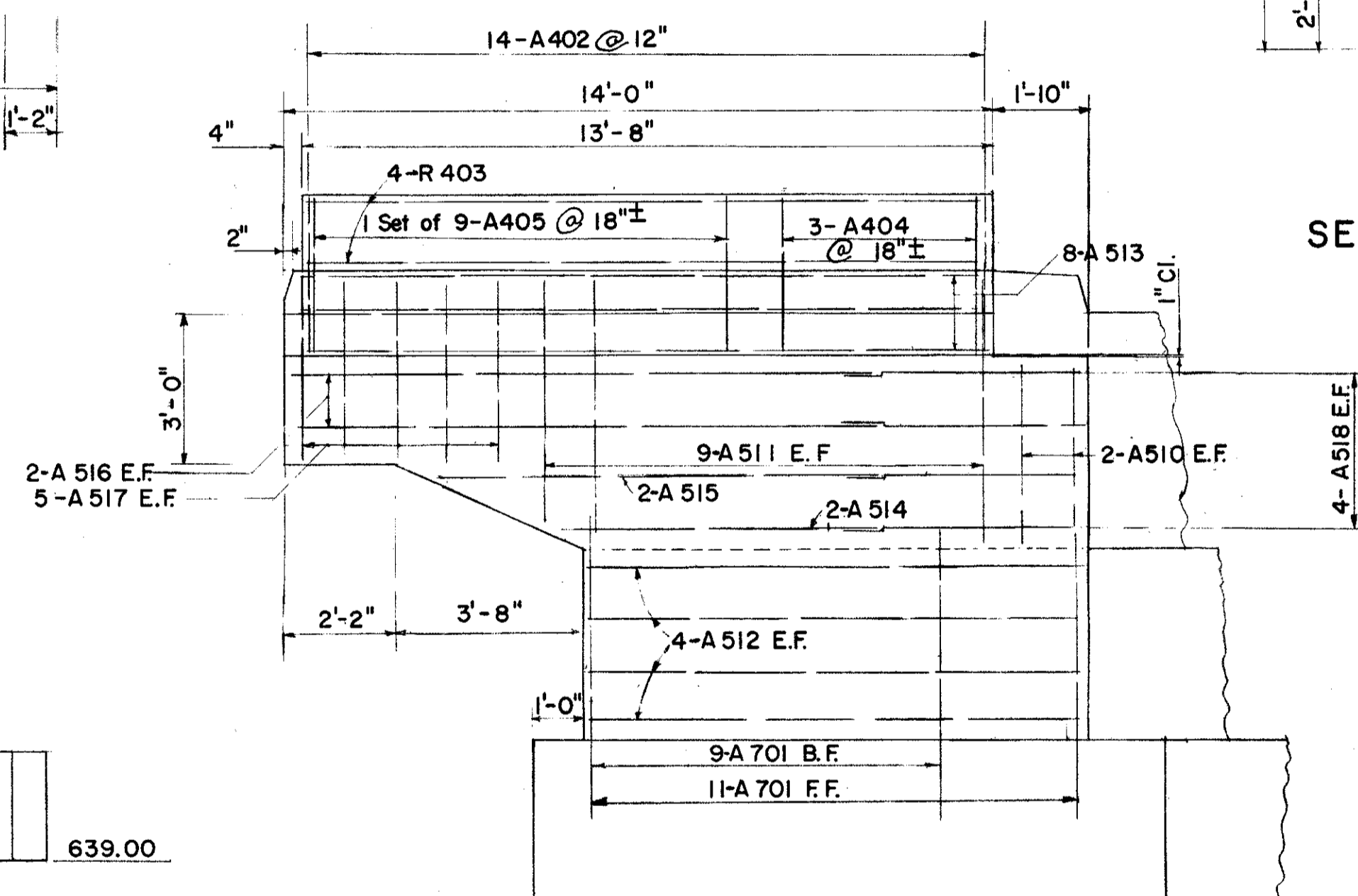


LAKE COUNTY
SEC. LAK-2-10.35



ABUTMENT BACKWALL SLOPE
SAME FOR 1 & 2



All piles shall be 12" cast-in-place concrete piles.
Estimated length of Vertical Piles 36', Battered Piles 37.5'.
Piles shall be driven to a minimum bearing capacity of 35 tons per pile

MICROFILMED
JUL 1 1985

SEC. L-33					
PREPARED BY CAPITOL ENGINEERING ASSOCIATES, DILLSBURG, PA. FOR					
STATE OF OHIO DEPARTMENT OF HIGHWAYS DIVISION OF DESIGN AND CONSTRUCTION BUREAU OF BRIDGES					
ABUTMENTS BRIDGE NO. LAK-2-1140 S.R. 2 UNDER HENDRICKS ROAD LAKE COUNTY STA. 499 + 91.55					
DESIGNED	DRAWN	TRACED	CHECKED	REVISED DATE	REVISED
McP	McP				