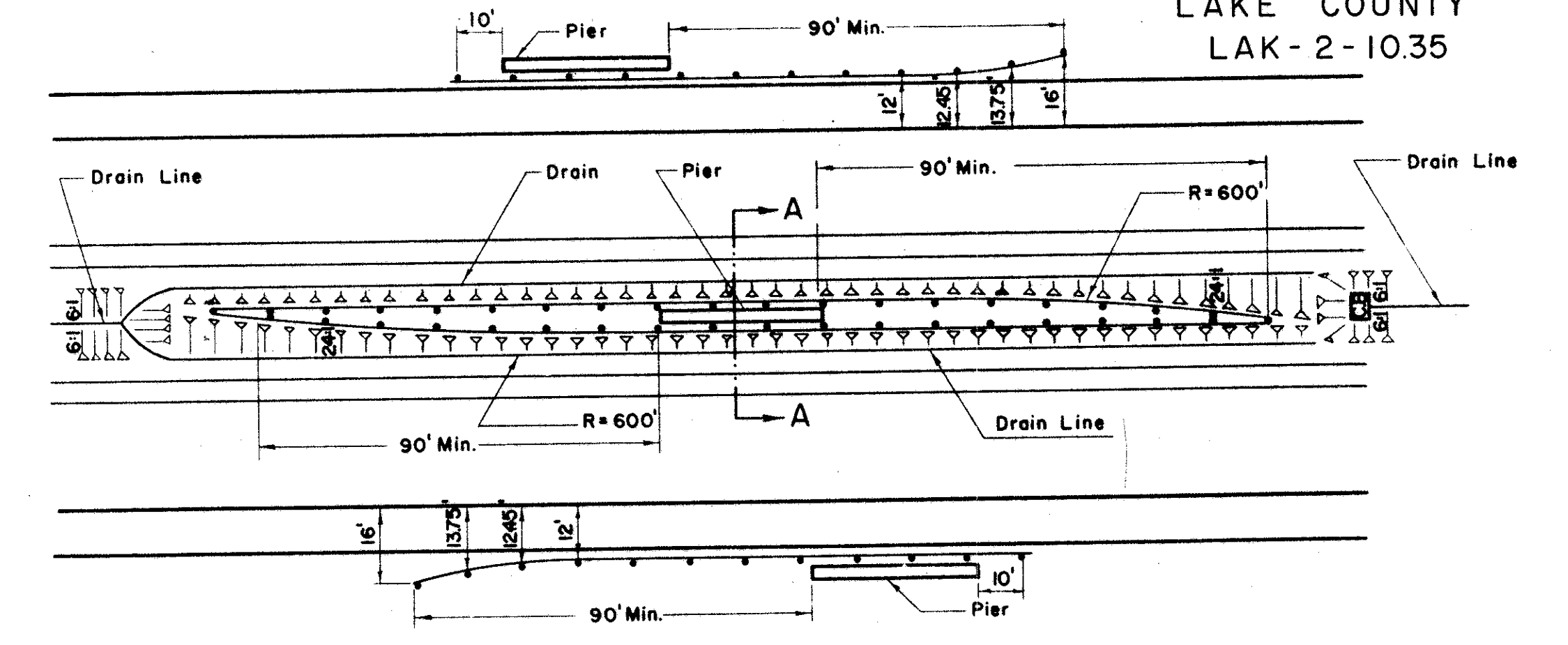
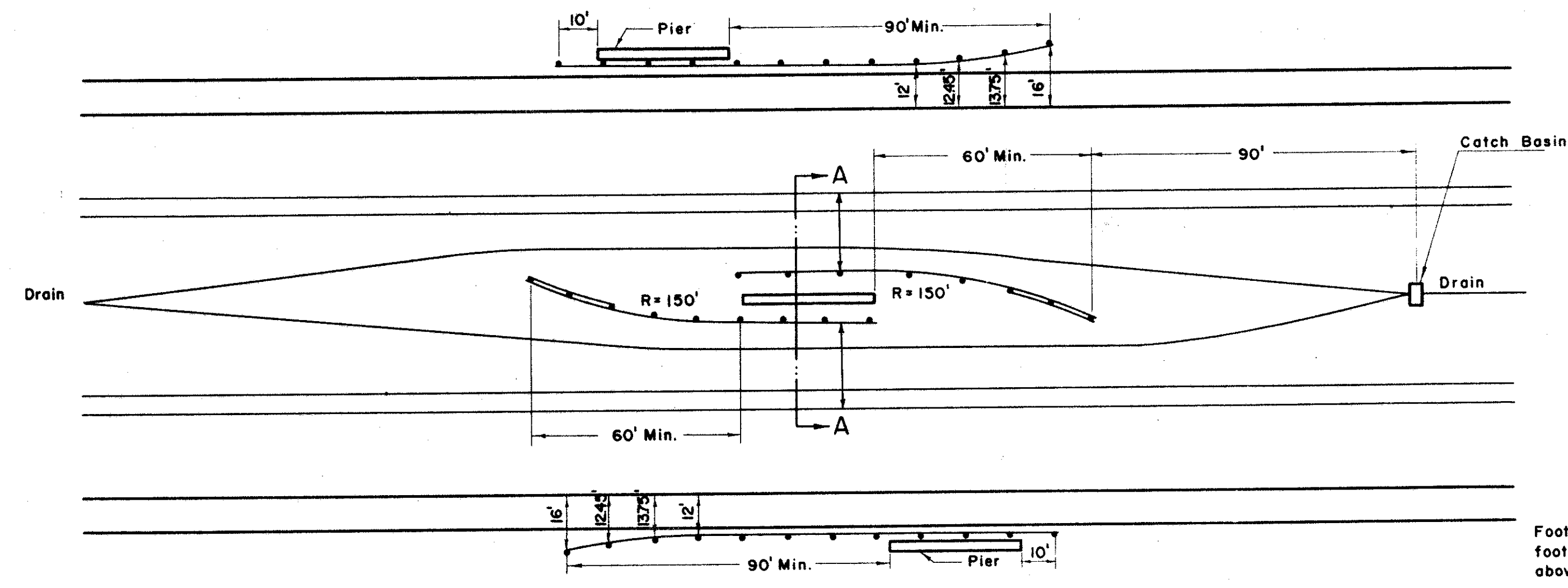
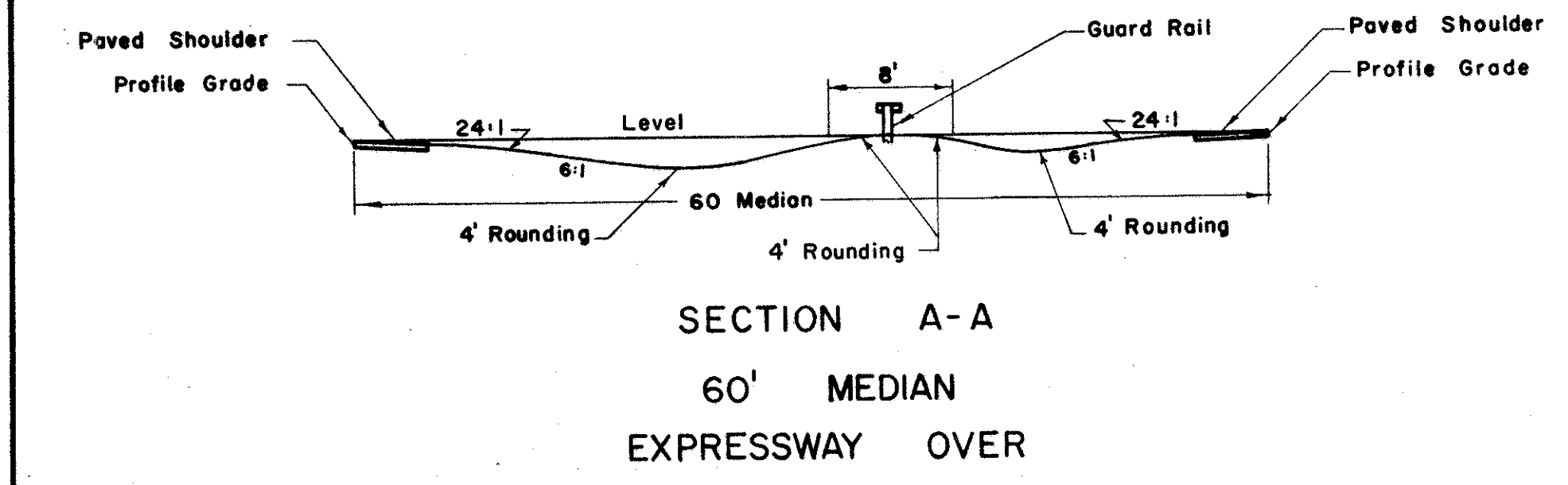
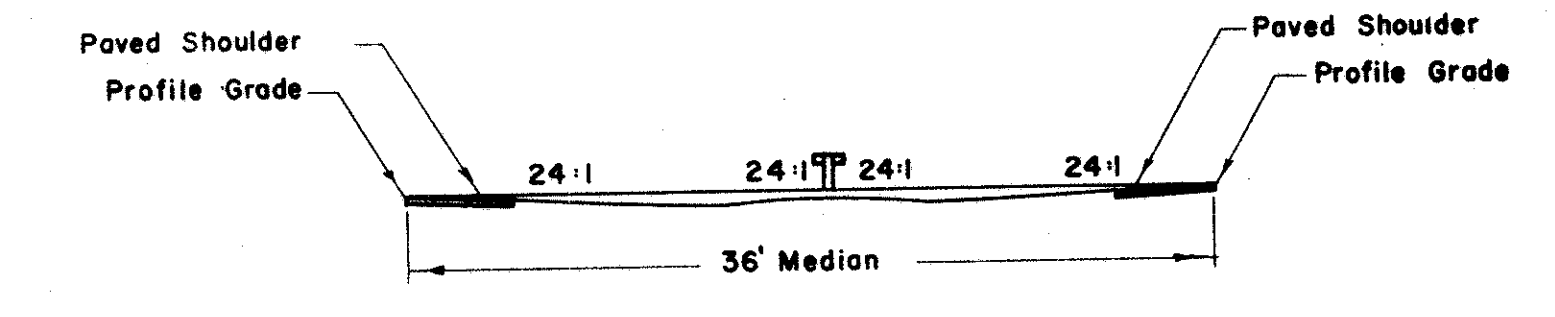
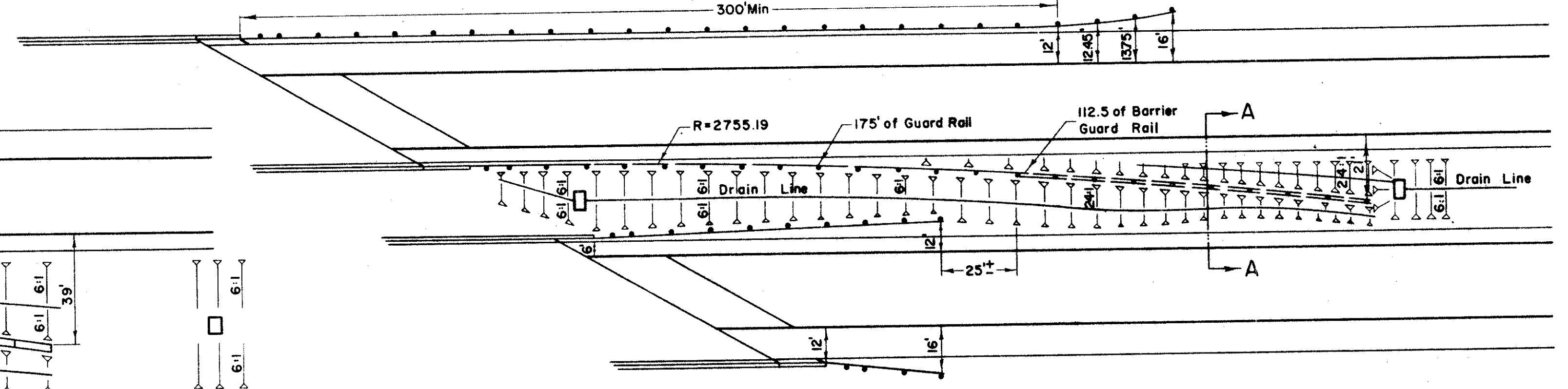
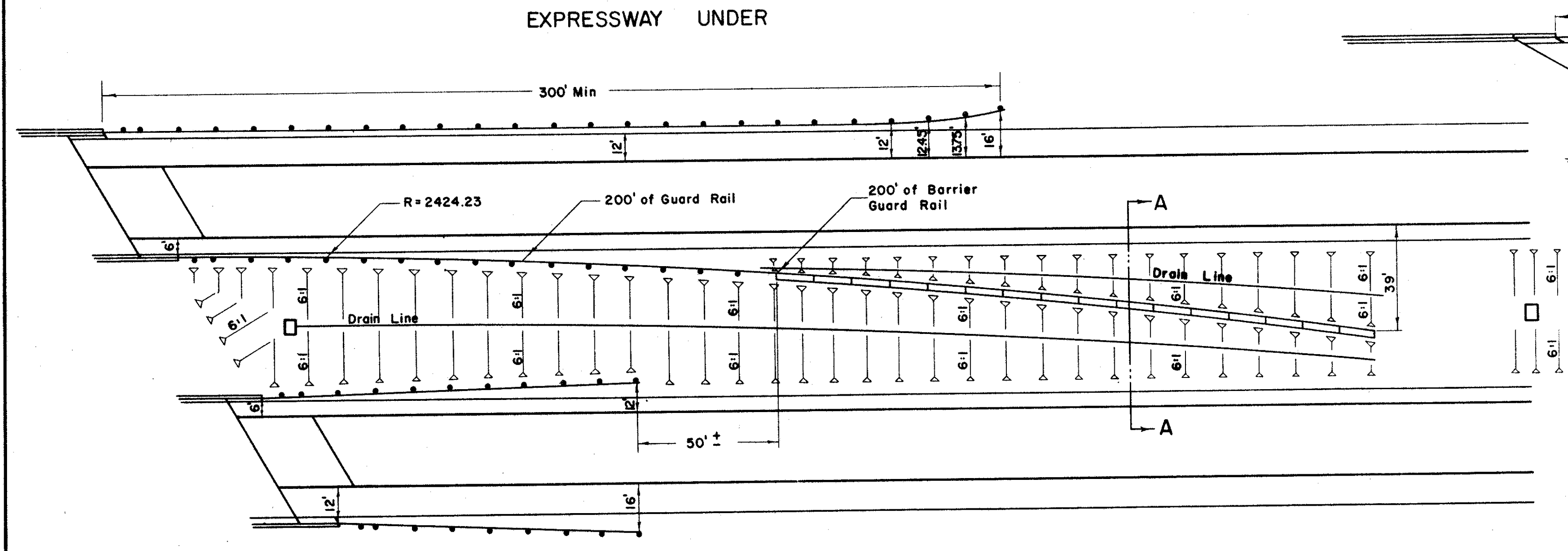
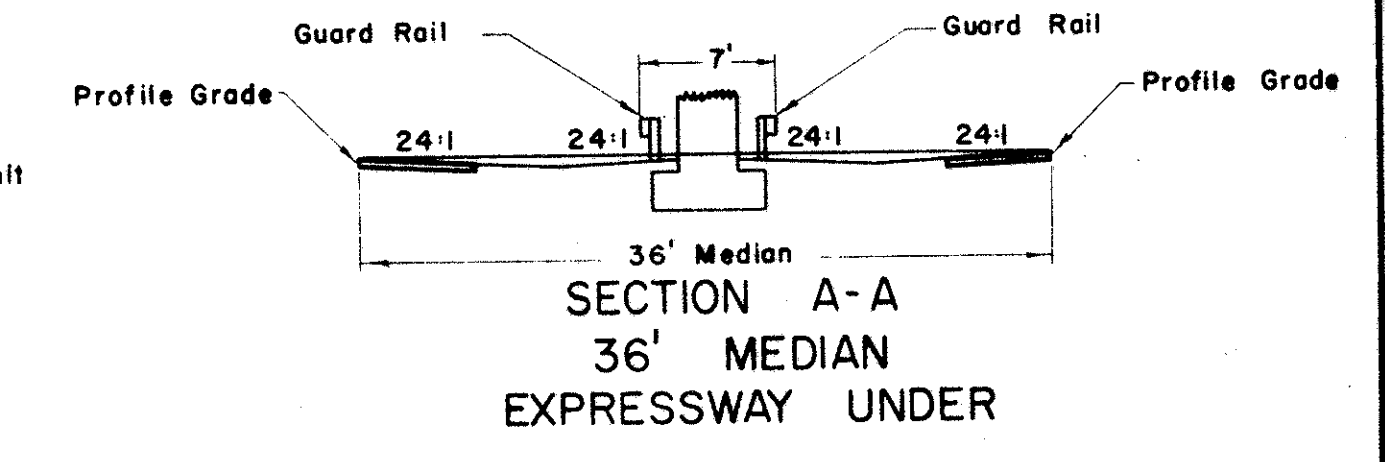
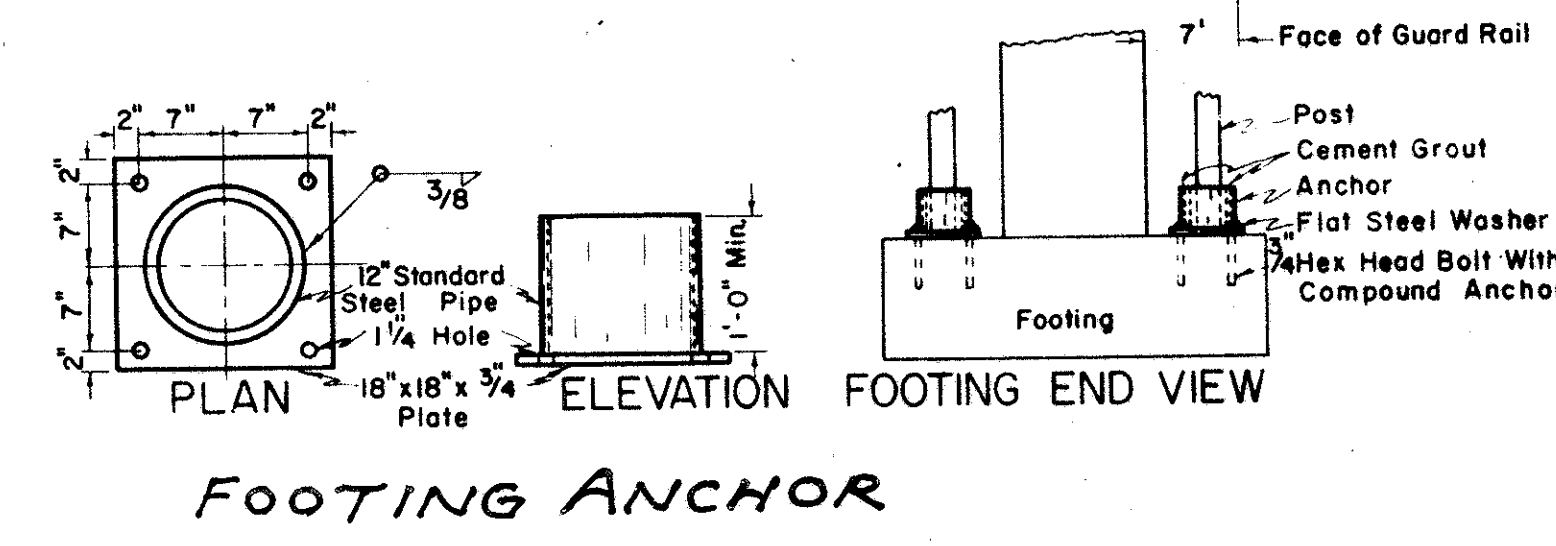
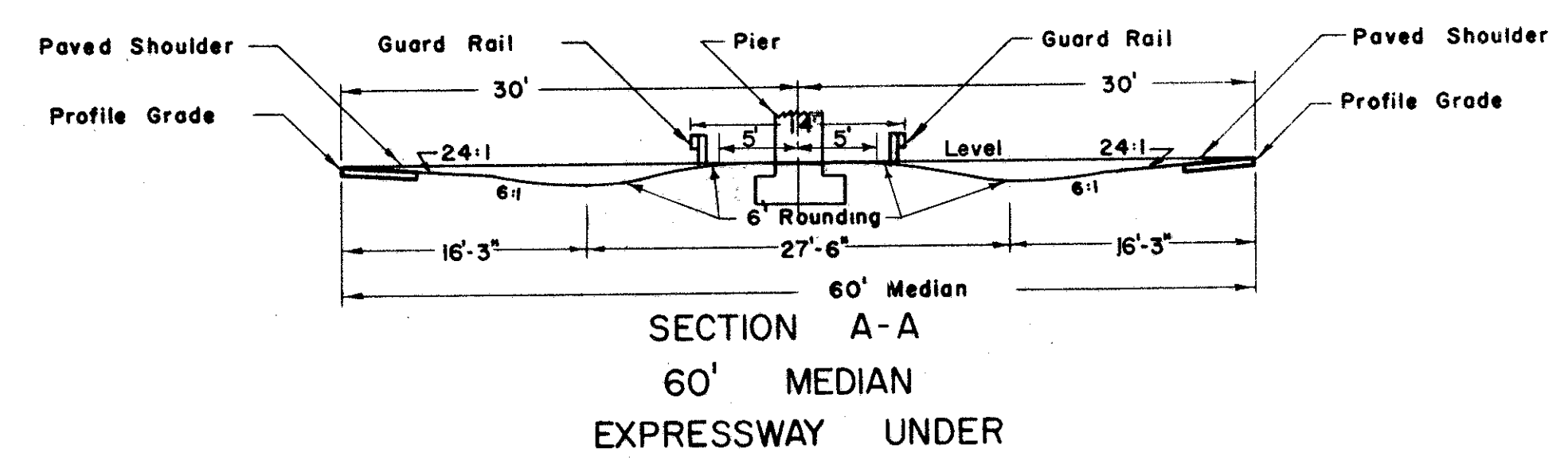


LAKE COUNTY
LAK-2-10.35



Footing anchor to be used where posts are over footings and less than 3'-0" of earth is provided above the top of footing.



60' MEDIAN

POST	OFFSET	POST	OFFSET
1/2	6.01	17	15.31
1	6.03	18	16.44
2	6.10	19	17.63
3	6.29	20	18.89
4	6.52	21	20.20
5	6.81	22	21.59
6	7.16	23	23.03
7	7.58	24	24.55
8	8.06	25	26.13
9	8.61	26	27.77
10	9.22	27	29.47
11	9.90	28	31.24
12	10.64	29	33.08
13	11.45	30	34.98
14	12.32	31	36.94
15	13.25	32	39.00
16	14.25		

NOTE
GENERAL - Design details shown hereon shall govern the construction of guard rail at structures and piers unless otherwise shown on the plans.
DIKE shall be provided at each end of each pair of structures.
Top of rail shall be 24" above profile grade line throughout length of rail.

36' MEDIAN

POST	OFFSET	POST	OFFSET
1/2	6.00	12	10.08
1	6.03	13	10.79
2	6.11	14	11.56
3	6.26	15	12.38
4	6.45	16	13.26
5	6.71	17	14.19
6	7.02	18	15.18
7	7.39	19	16.23
8	7.82	20	17.34
9	8.30	21	18.50
10	8.84	22	19.72
11	9.43	23	21.00