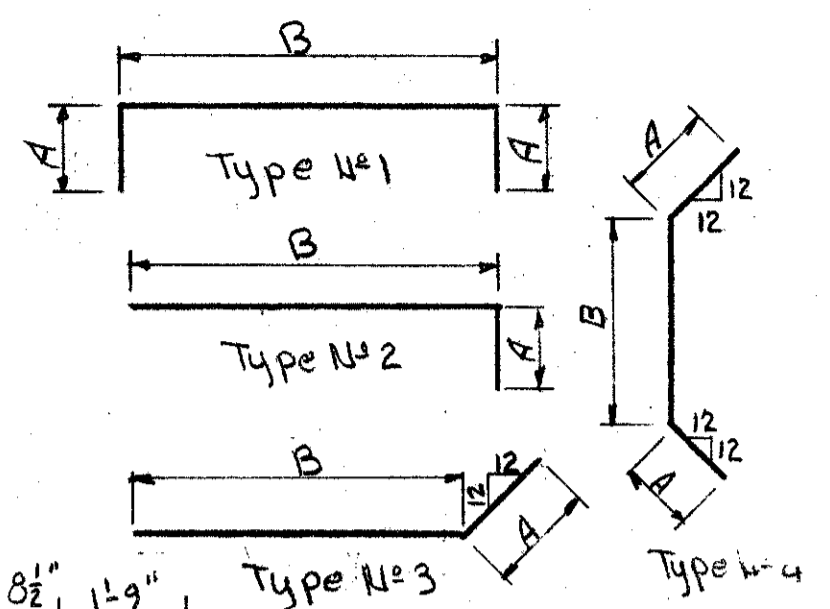
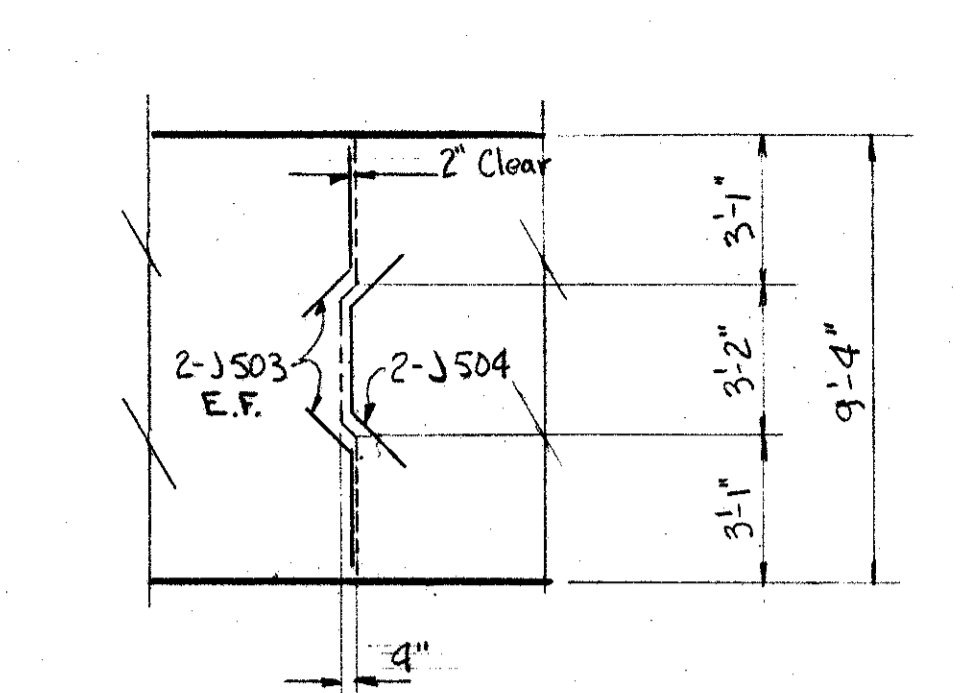
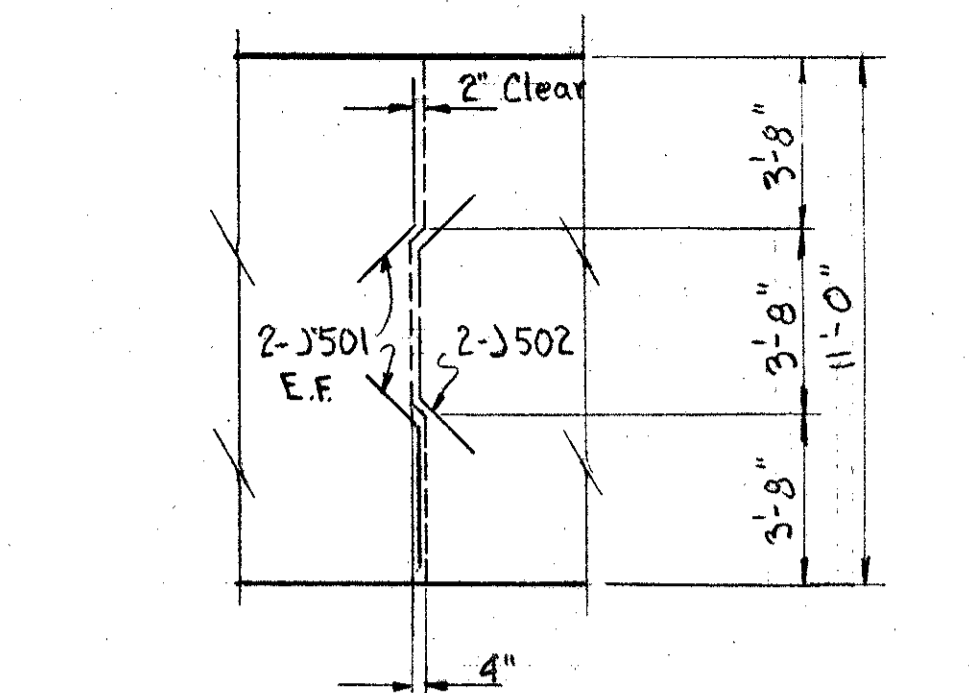
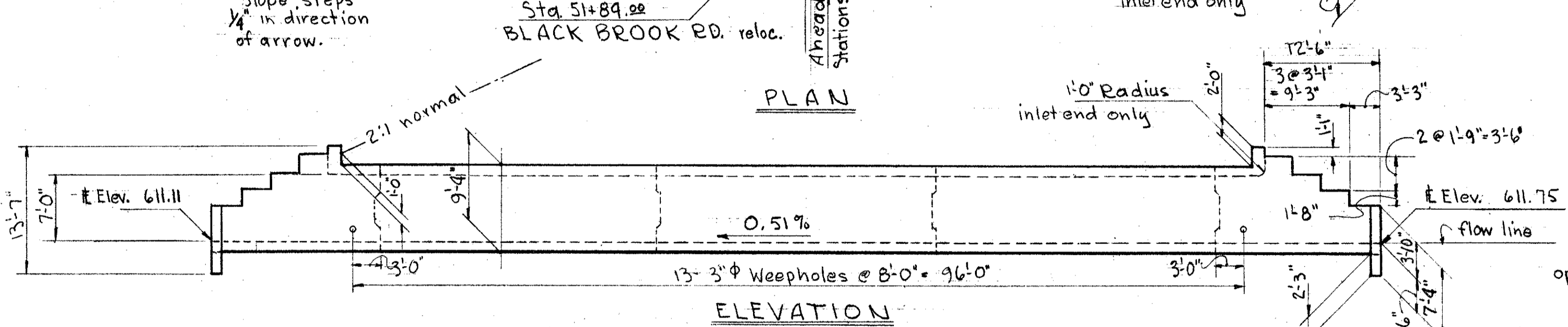
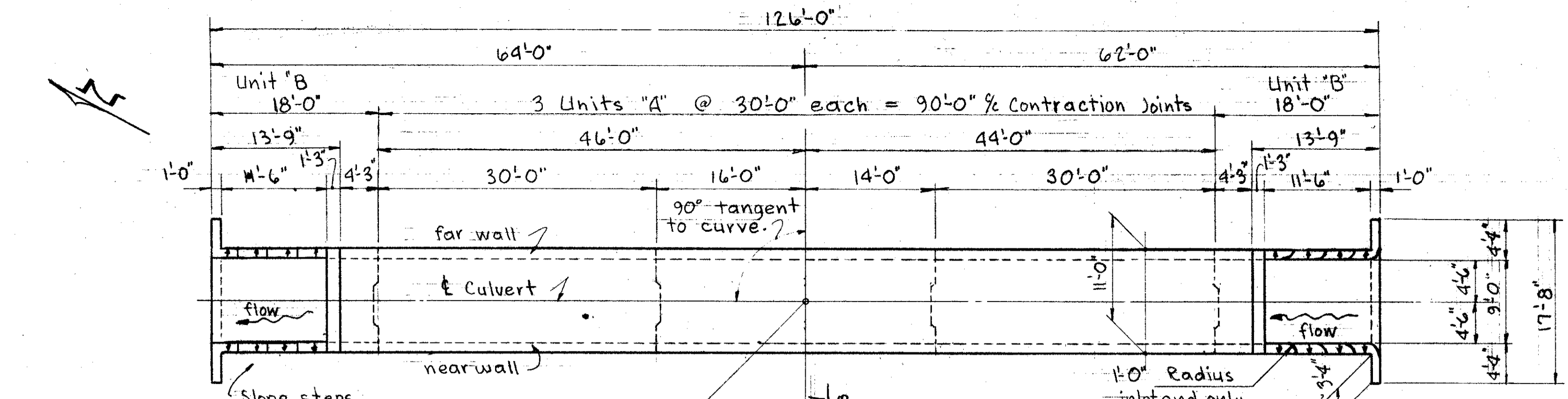
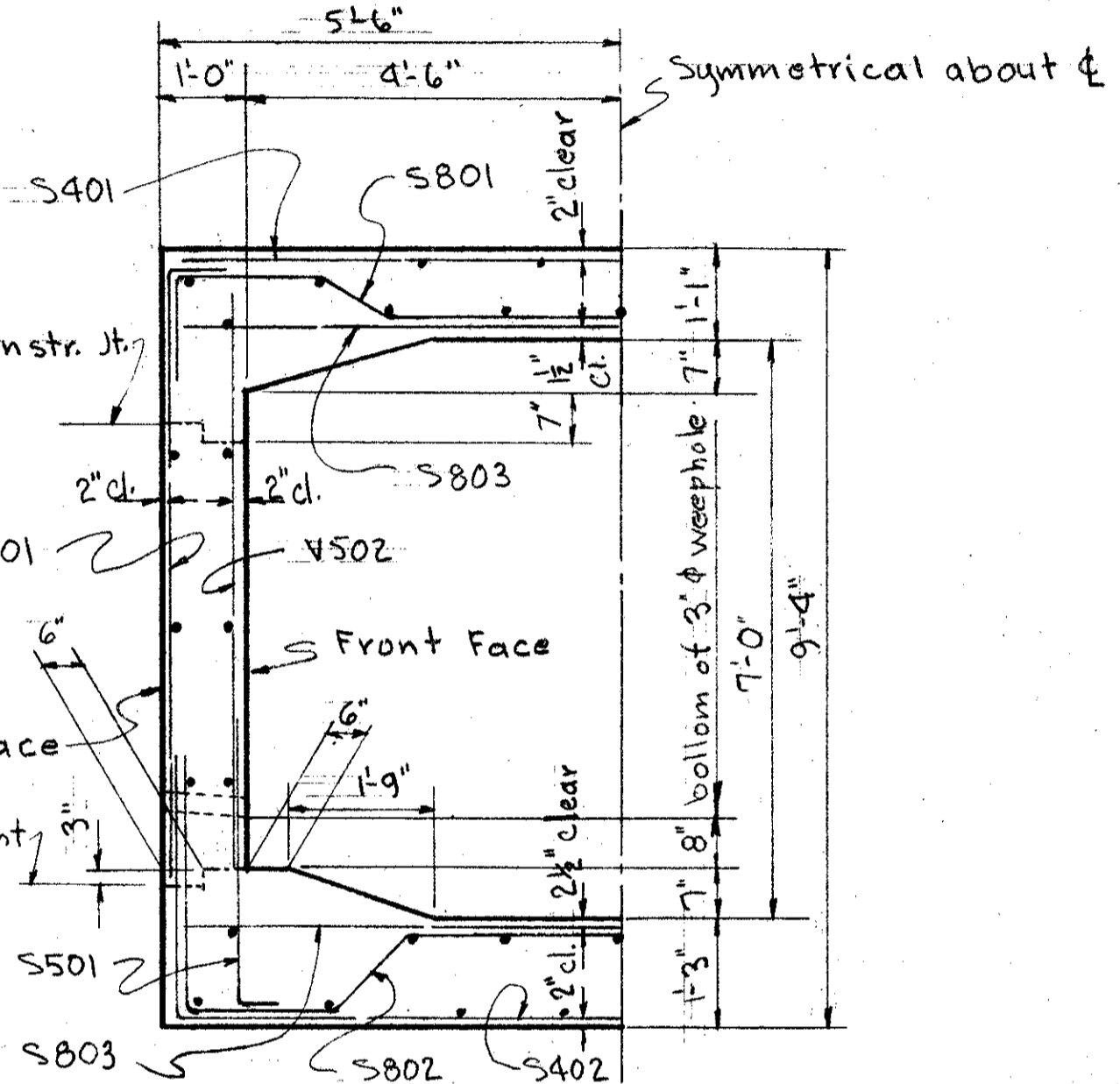
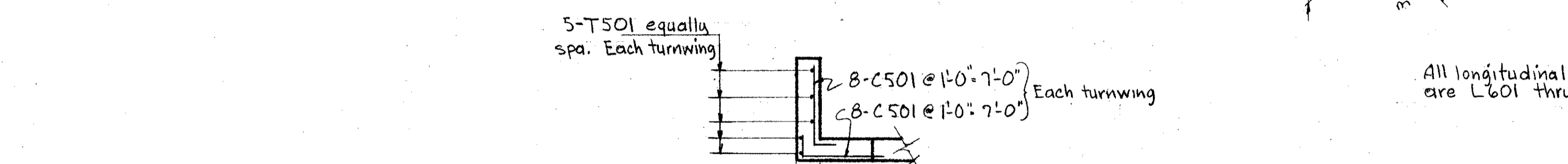


LAKE COUNTY
LAK-2-10.35



DETAIL OF CONTRACTION JOINT TOP & BOTTOM OF BARREL

DETAIL OF CONTRACTION JOINT NEAR & FAR WALL OF BARREL



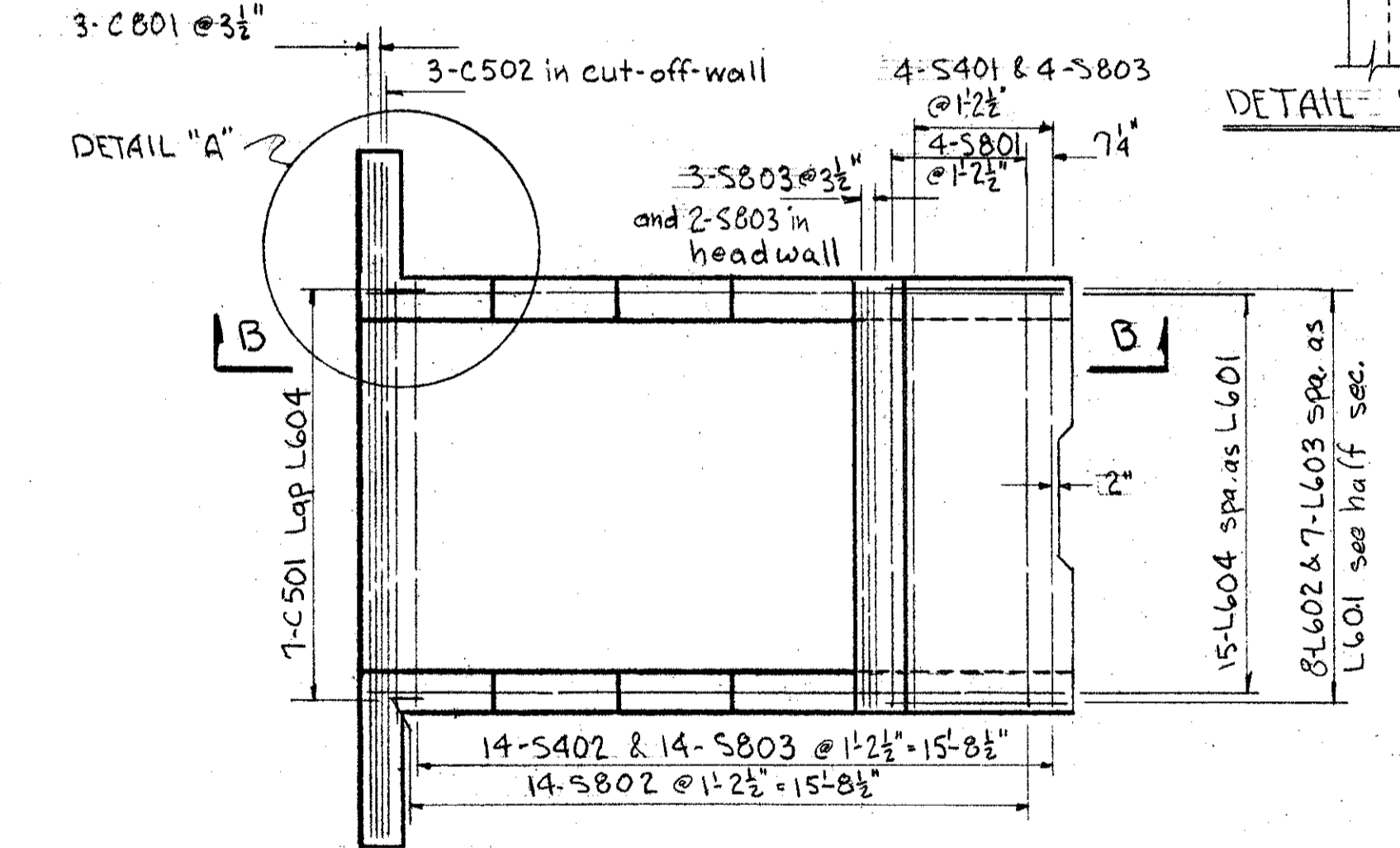
TYPICAL HALF BARREL SECTION - C-C

REINFORCING STEEL LIST						
MARK	N ^o	LENGTH	WEIGHT	TYPE	A	B
C501	78	3'-11"	319	2	1'-0"	3'-0"
C502	6	17'-3"	108	Str.		
C801	6	17'-3"	276	Str.		
J501	32	4'-9"	159	3	1'-6"	3'-3"
J502	16	6'-3"	104	4	1'-6"	3'-3"
J503	32	4'-3"	145	3	1'-6"	2'-9"
J504	16	5'-9"	96	4	1'-6"	2'-9"
L601	126	29'-0"	5488	Str.		
L602	16	5'-9"	138	2	2'-0"	3'-11"
L603	14	4'-9"	100	Str.		
L604	38	17'-3"	985	Str.		
L605	8	14'-0"	168	Str.		
L606	8	10'-11"	131	Str.		
S401	83	10'-6"	582	Str.		
S402	103	16'-11"	1164	1	3'-3"	10'-8"
S501	132	4'-6"	620	2	10"	3'-9"
S801	83	13'-7"	3010	5	See above	
S802	103	18'-3"	5020	5	See above	
S803	196	10'-6"	3495	Str.		
T501	20	7'-0"	146	Str.		
V501	314	8'-4"	2728	2	10"	7'-9"
V502	74	7'-3"	560	Str.		
V503	32	8'-6"	284	Str.		
V504	16	6'-11"	116	Str.		
V505	24	5'-3"	131	Str.		
V506	16	3'-6"	58	Str.		
		TOTAL	28,131			

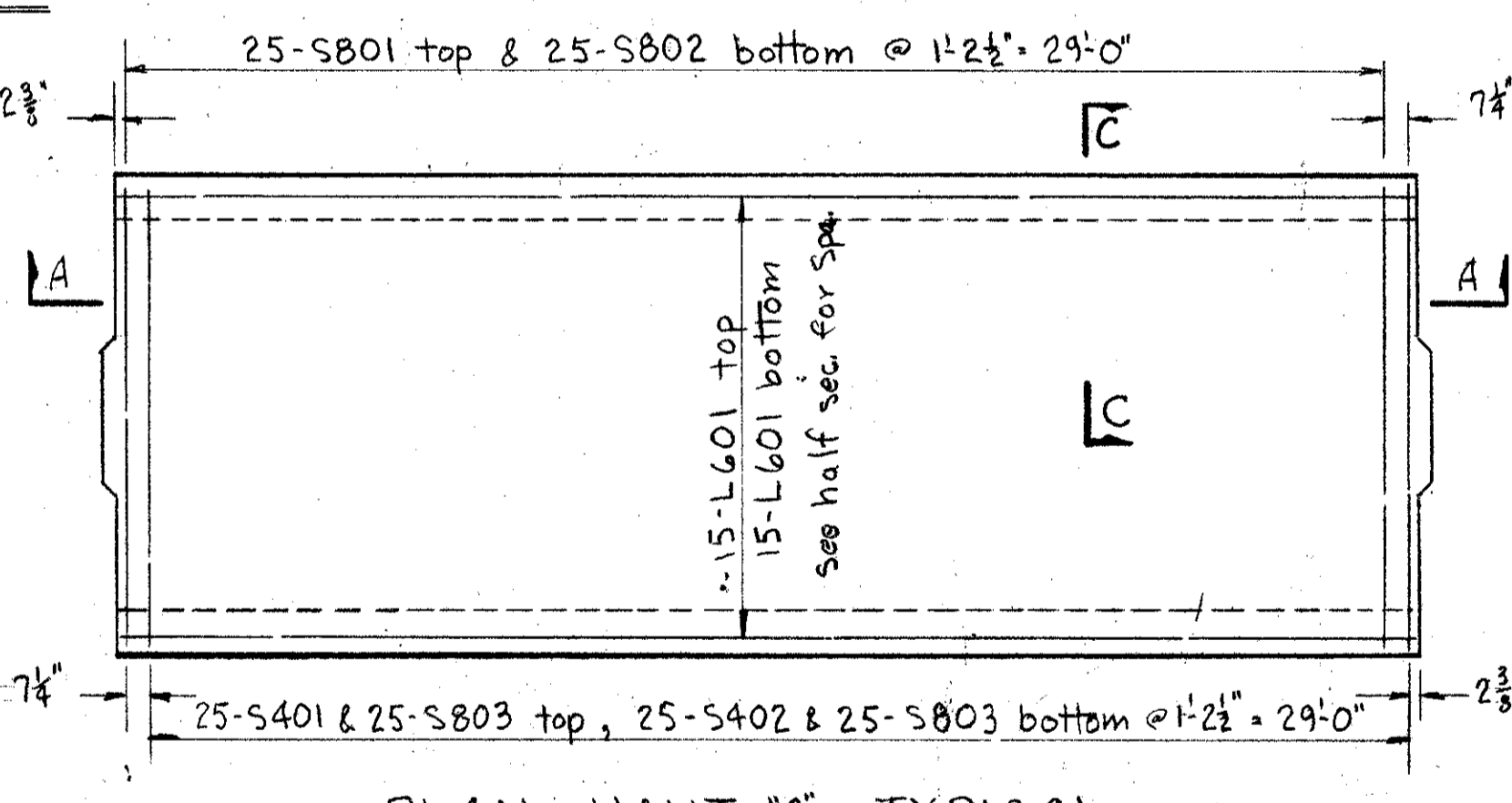
ESTIMATED QUANTITIES			
Item	UNIT	DESCRIPTION	TOTAL
E-2	CU. YD.	Unclassified Excavation	140
E-3	CU. YD.	Channel Excavation	546 #
I-10	CU. YD.	Dumped Rock C.P.	46
S-4	LBS.	Reinforcing Steel	28,131
S-1	CU. YD.	Class "C" Concrete	191

See Note on Sheet No. 11.

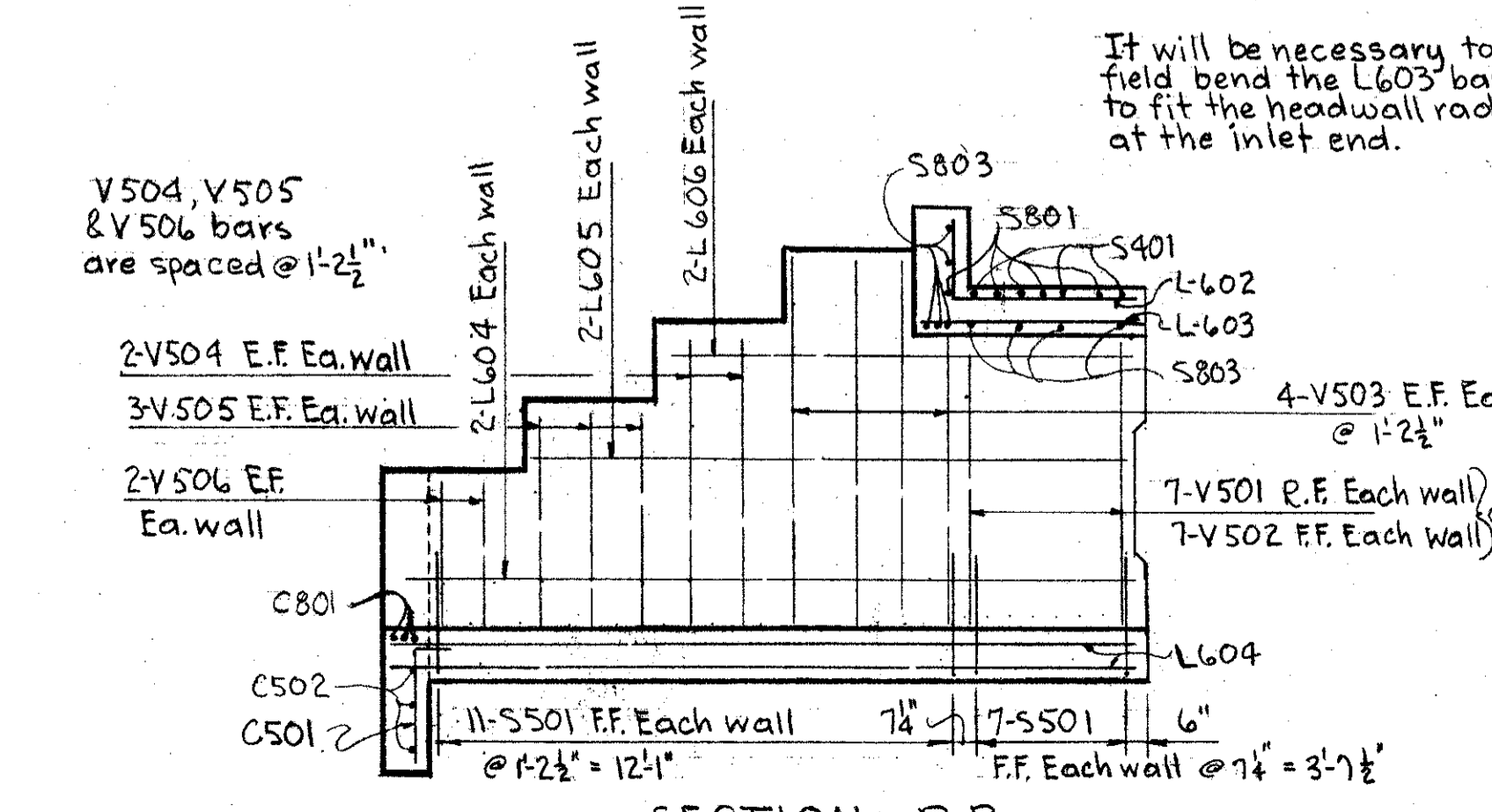
- Notes:
- All reinforcing steel shall have 2" of cover from all faces except as otherwise shown.
 - Bar Size is indicated in the bar mark. The first digit indicates the bar size number. For example S801 is a #8 size bar.
 - All concrete shall be class "C".
 - R.F. denotes Rear Face.
 - F.F. denotes Front Face.
 - E.F. denotes Each Face.



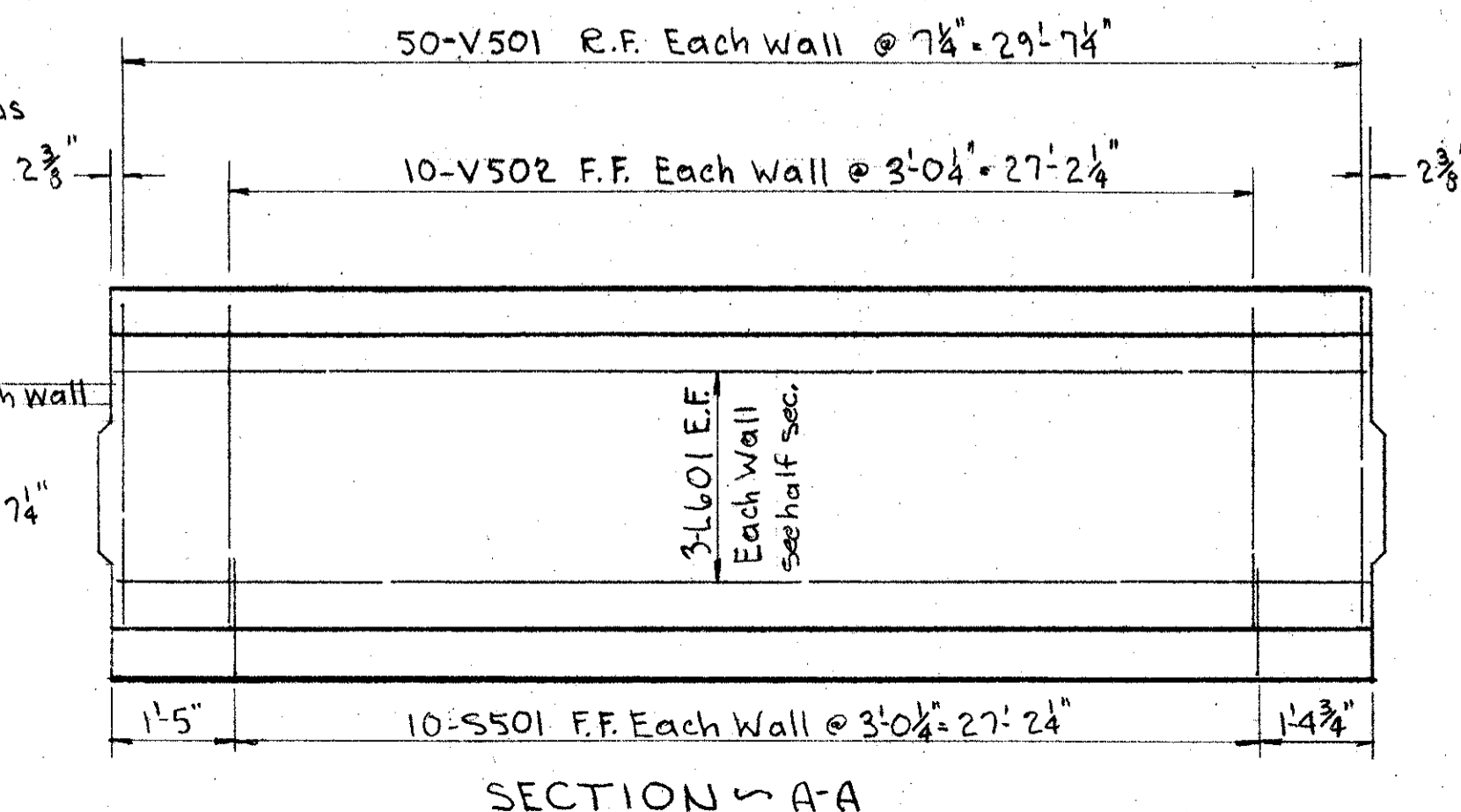
PLAN UNIT "B" TYPICAL



PLAN UNIT "A" TYPICAL



SECTION - B-B



SECTION - A-A

SEC. L-33

PREPARED BY
CAPITOL ENGINEERING ASSOCIATES, DILLSBURG, PA.
FOR

STATE OF OHIO
DEPARTMENT OF HIGHWAYS
DIVISION OF DESIGN AND CONSTRUCTION
BUREAU OF BRIDGES

STRUCTURE
BOX CULVERT
UNDER RELOC. BLACKBROOK RD.
LAKE COUNTY
STA. 51 + 84.00

DESIGNED	DRAWN	TRACED	CHECKED	REVISED	DATE	REVISED
	DET					