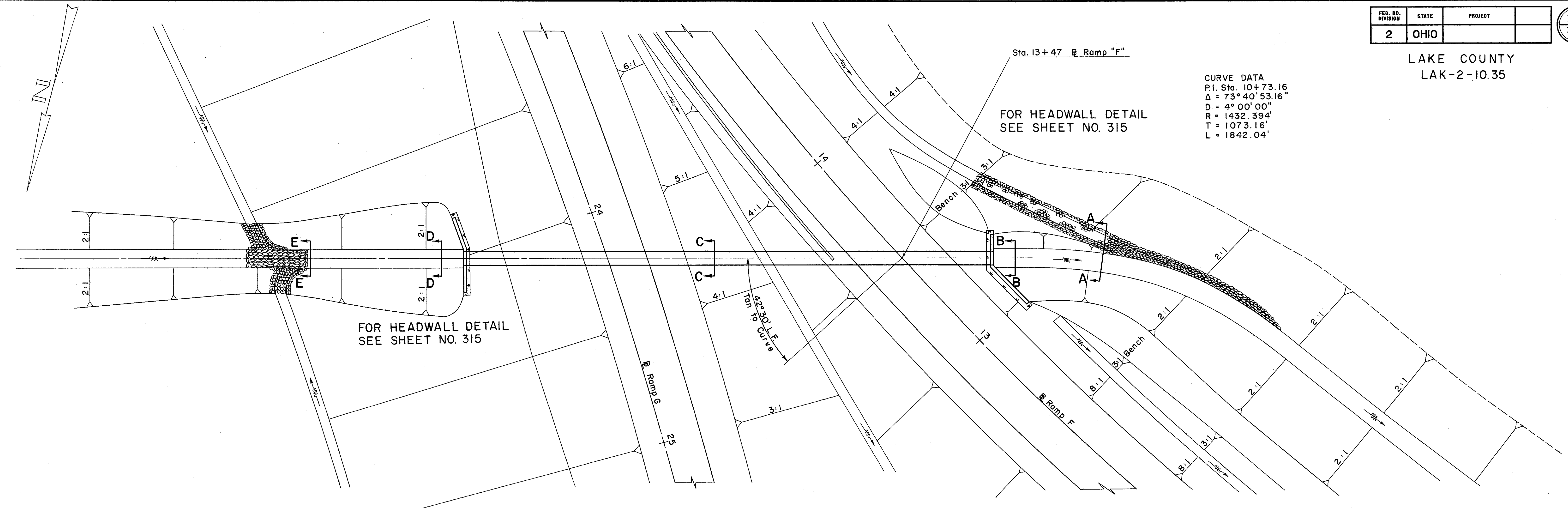


CURVE DATA
P.I. Sta. 10+73.16
 $\Delta = 73^\circ 40' 53.16''$
 $D = 4^\circ 00' 00''$
 $R = 1432.394'$
 $T = 1073.16'$
 $L = 1842.04'$

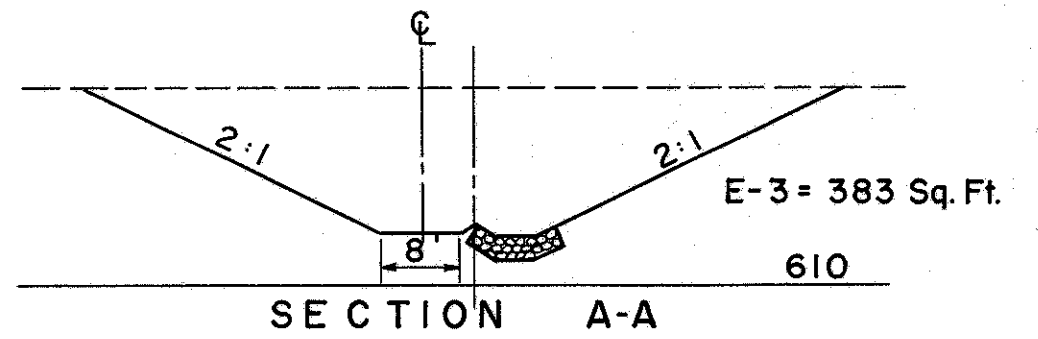
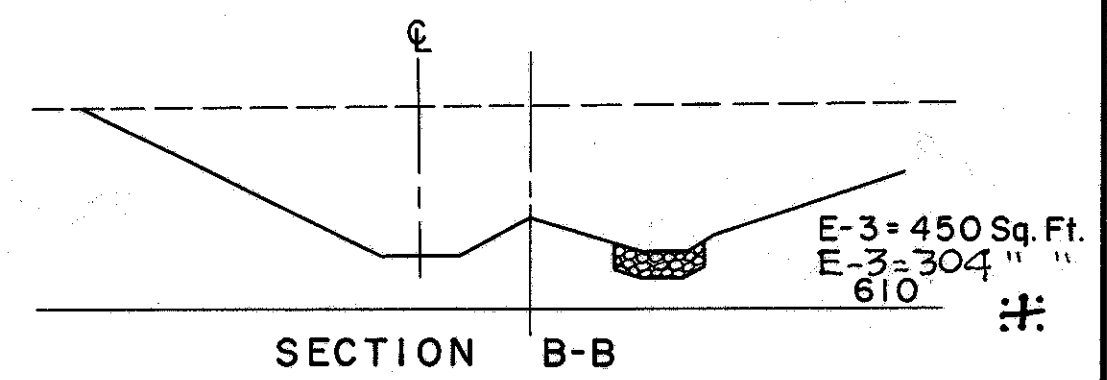
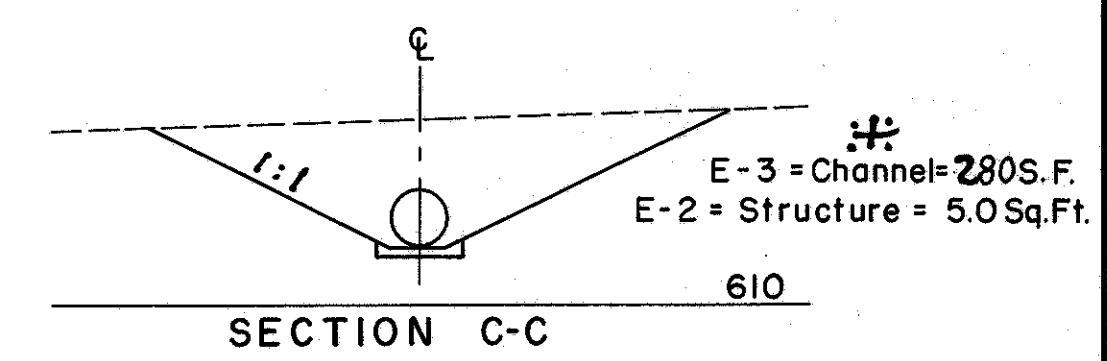
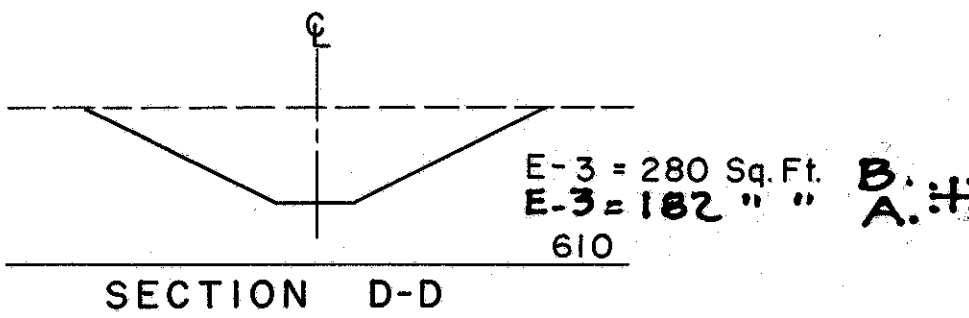
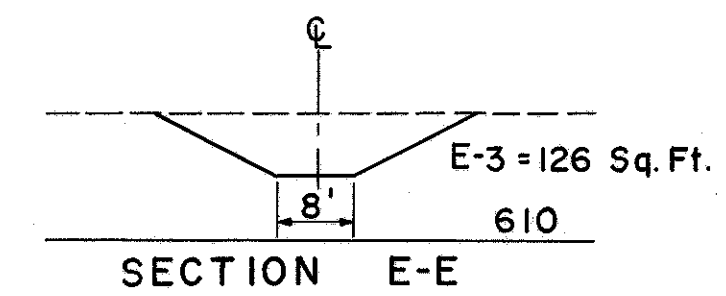
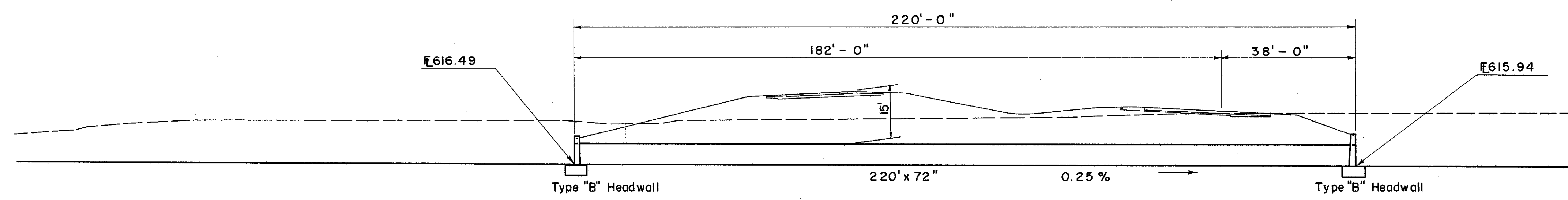
FOR HEADWALL DETAIL
SEE SHEET NO. 315

FOR HEADWALL DETAIL
SEE SHEET NO. 315



AREA = 235 ACRES
 $Q_{25} = 119$ C.F.S.

HEADWATER = 4.55 FT.
OUTLET VELOCITY = 7.26 F.P.S.



ESTIMATED QUANTITIES

* E-2 Excavation for Structures	135 C.Y.
E-3 Channel Excavation	3708 C.Y. #
S-27 72" Pipe for Roadway Culvert	220 L.F.
L-10 Sodding	13.5 S.Y.
I-10 Dumped Rock Channel Protection	89 C.Y.
S-4 Reinforcing Steel	3518 Lbs.
S-1 Concrete for Structures, Class "C"	874 C.Y.

* E-2 Includes Excavation for Headwalls
* I-10 Dumped Rock Lt. included with culvert quantities Ramp "H" Sta. 4+00.

CULVERT DATA
TYPE: Pipe Culvert S-27 M-6.6 (c)
SIZE: 72" x 220"
WORK REQUIRED: Build a Pipe Culvert with type "B" headwalls Rt. & Lt. Excavate channel Rt. & Lt., sod Rt. & Lt. as shown. Place dumped rock as shown.

#: See Note on Sheet No 11