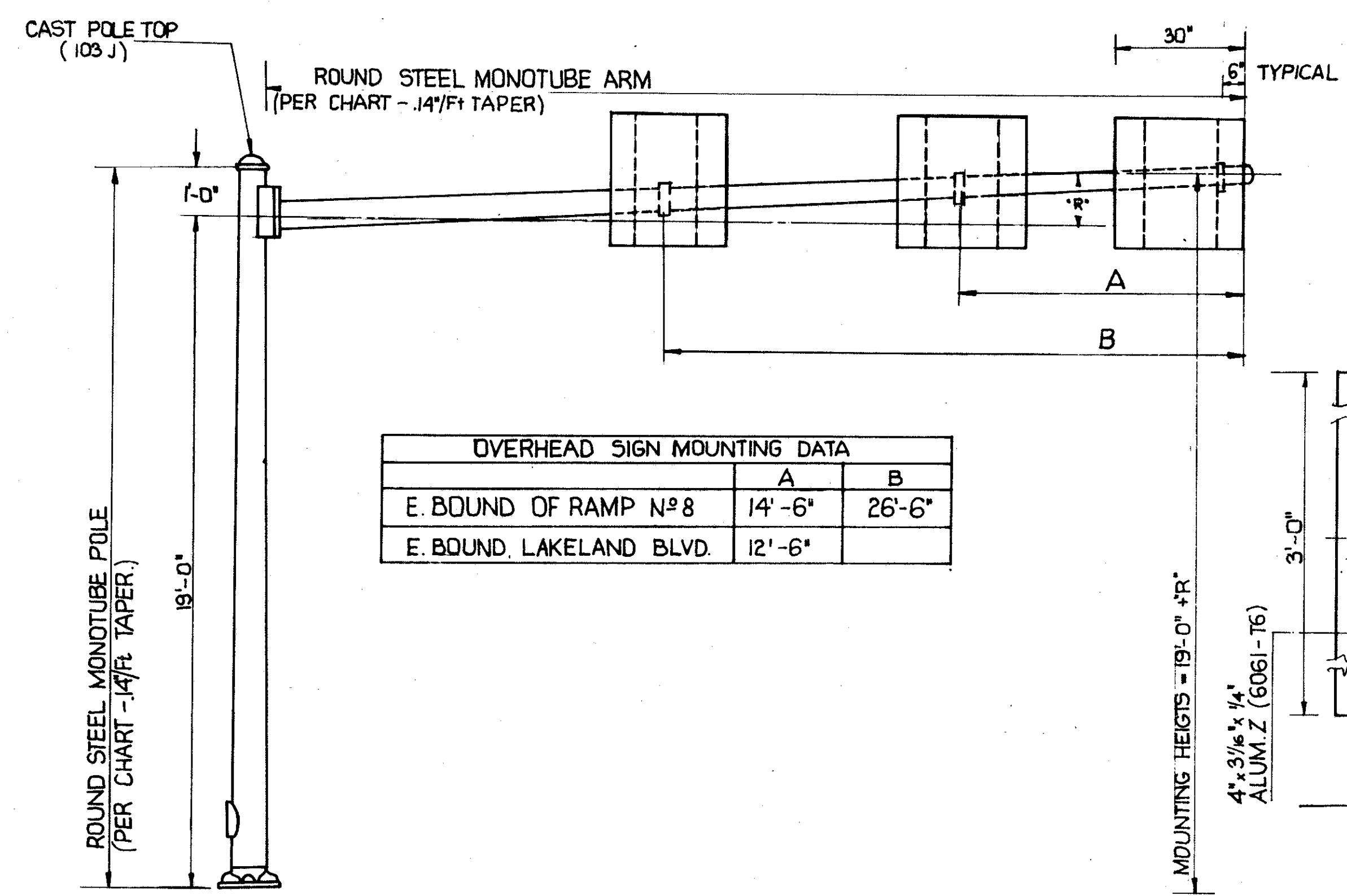
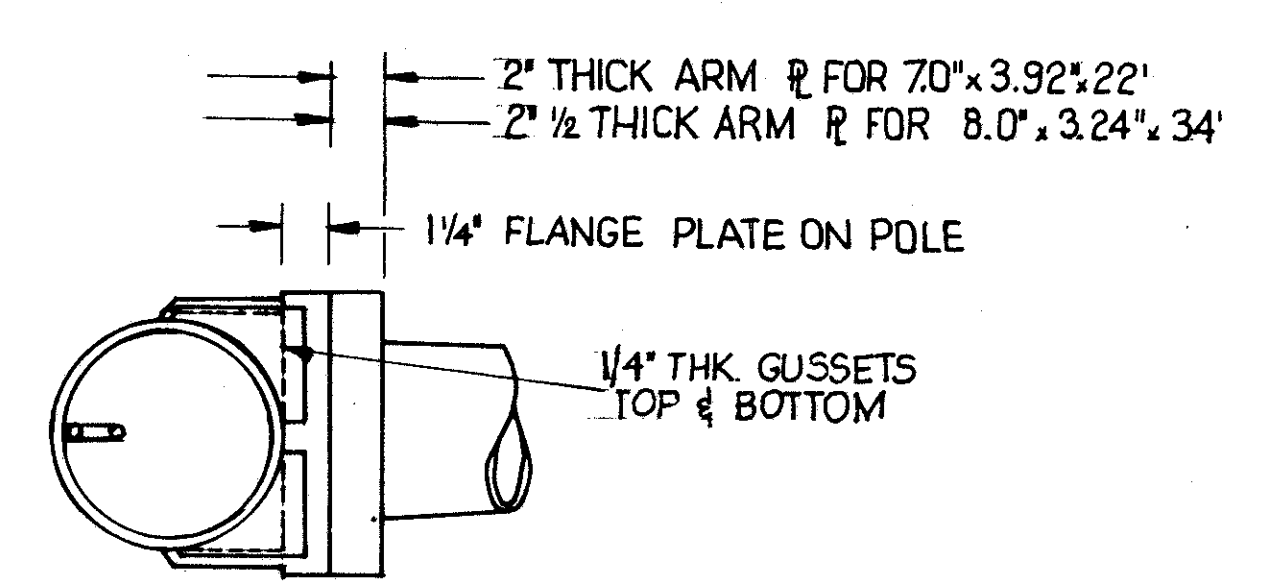
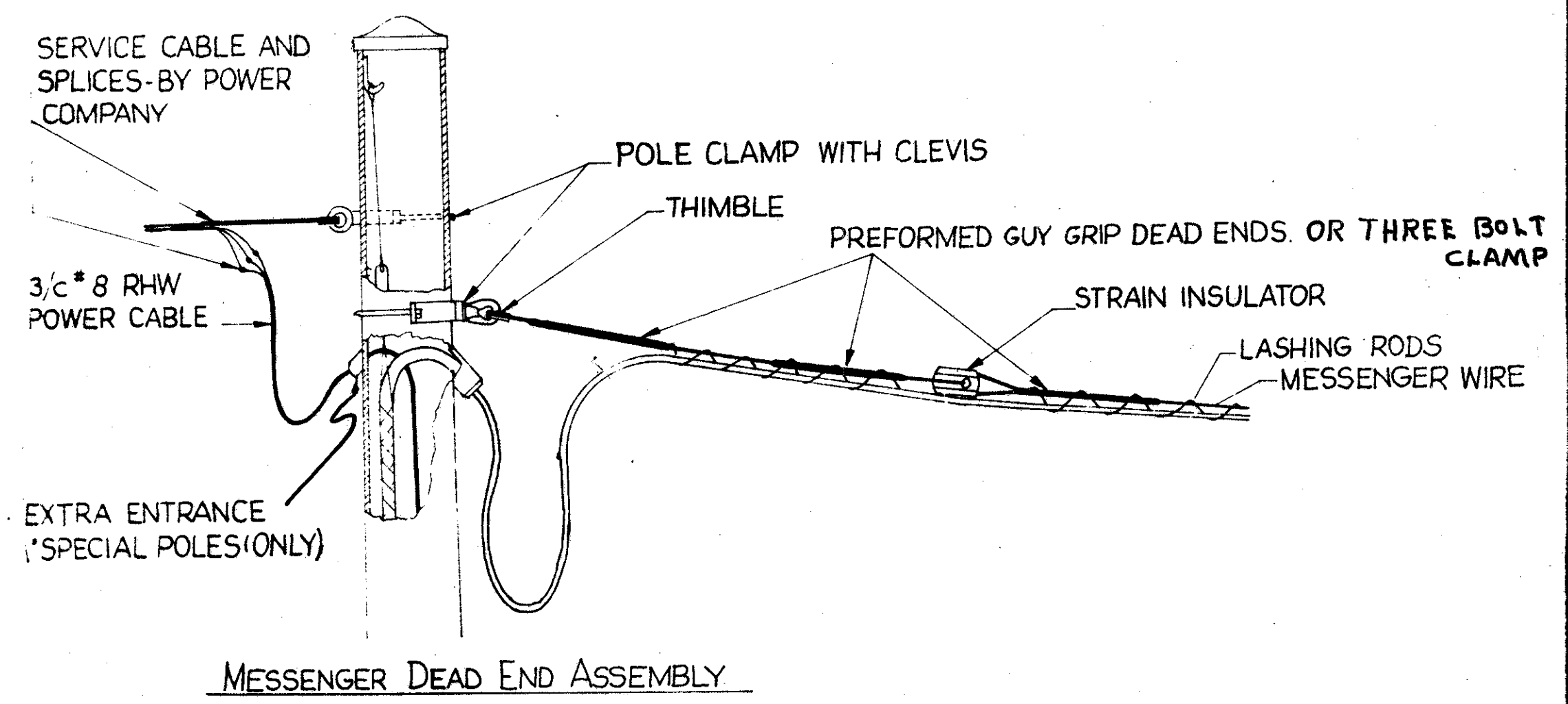
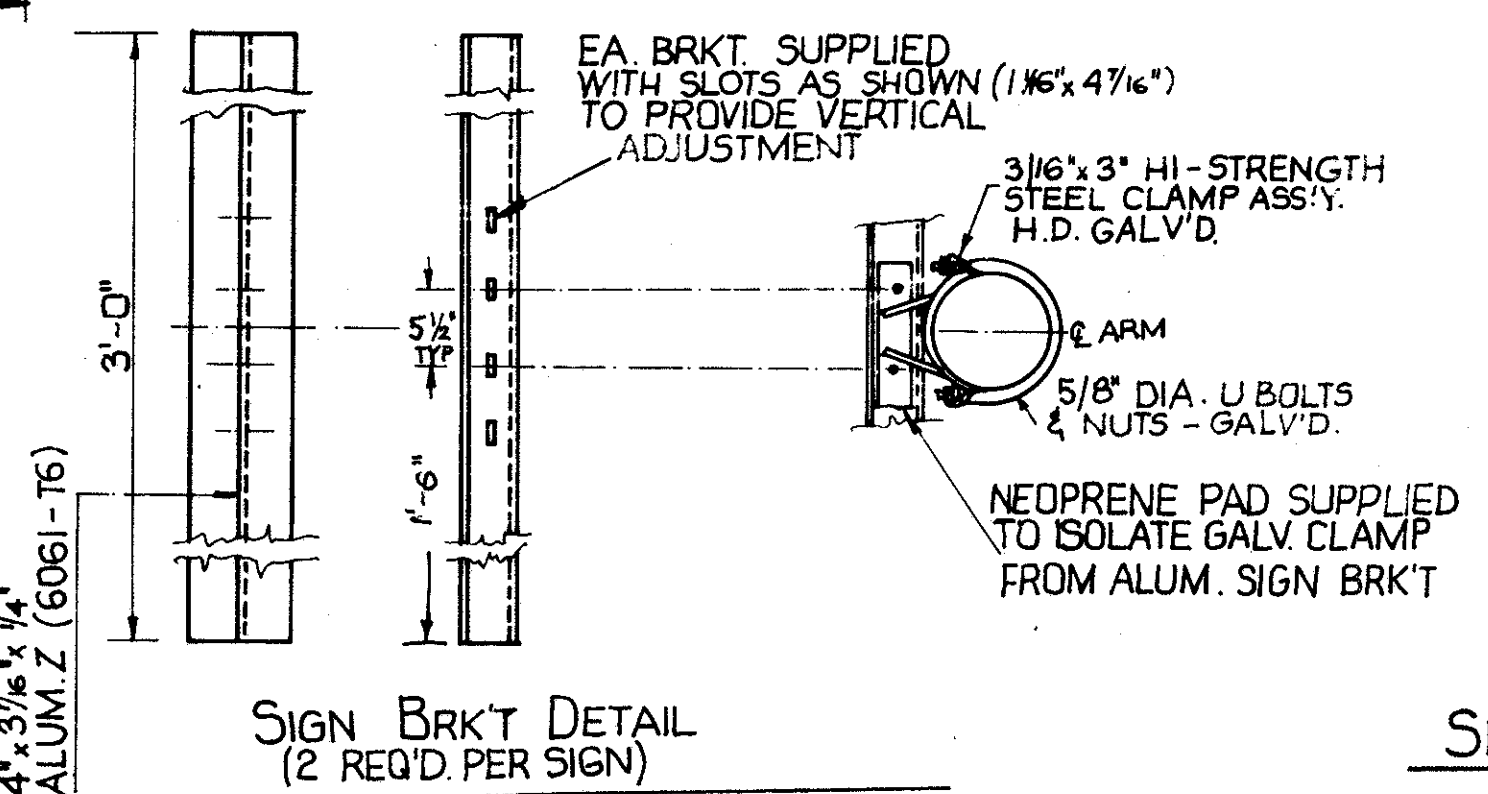


TYPICAL LANE CONTROL SUPPORT



OVERHEAD SIGN MOUNTING DATA		
	A	B
E. BOUND. OF RAMP N° 8	14'-6"	26'-6"
E. BOUND. LAKELAND BLVD.	12'-6"	



(4) ANCHOR RODS PER CHART WITH HEX NUTS & HVY. SQ. NUTS FOR PLUMBING.

BOLT CIRCLE
ANCHOR BOLT PLAN

ANCHOR BOLT DATA				
POLE DIA.	POLE GA.	BOLT CIRCLE	SQUARE	ANCHOR BOLTS
10"	76A	13 1/2"	14 7/8"	1 1/2" x 60" LG.
11"		15"	15 5/8"	1 1/2" x 60" LG.

SIGNAL HEAD DETAIL

