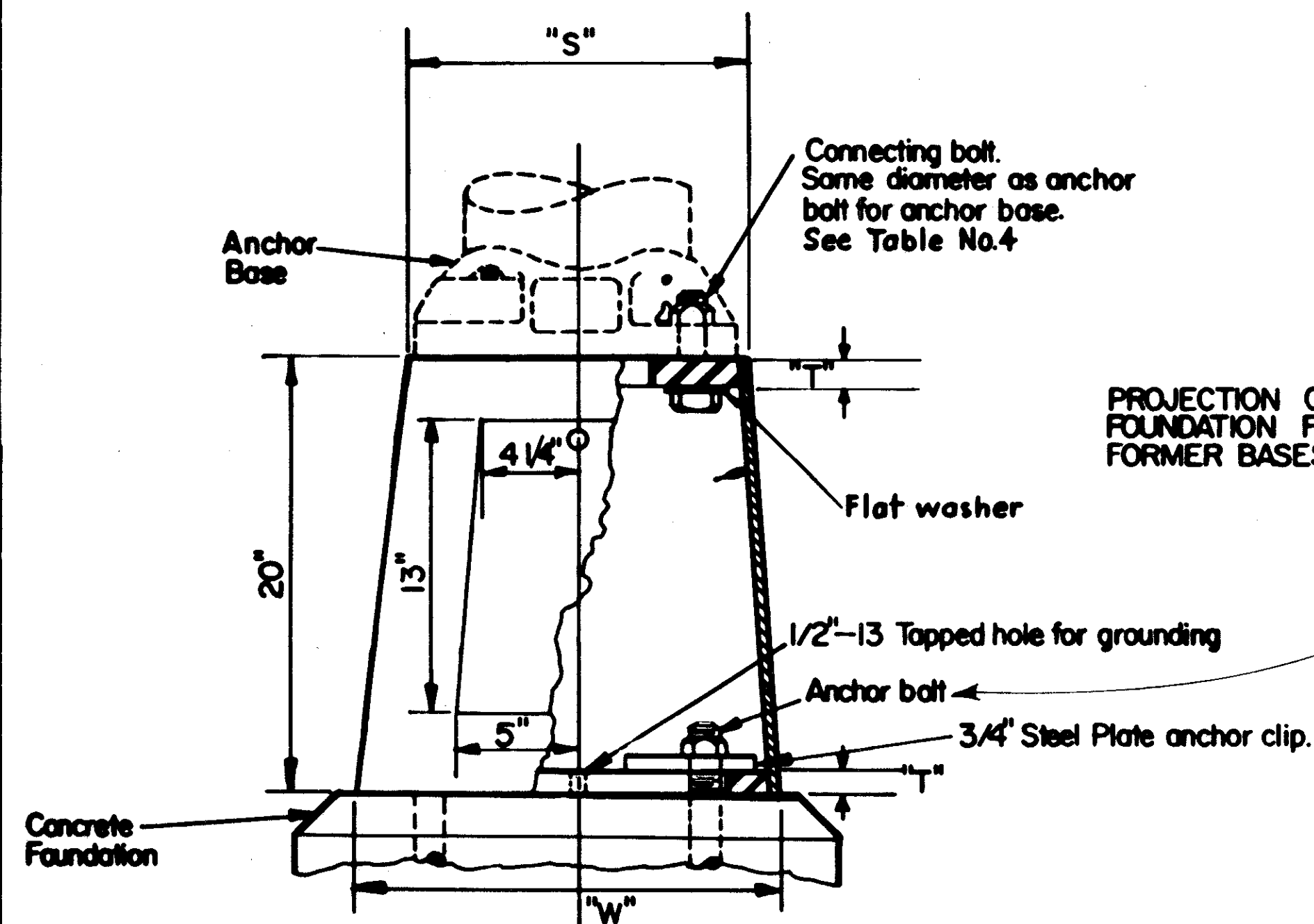
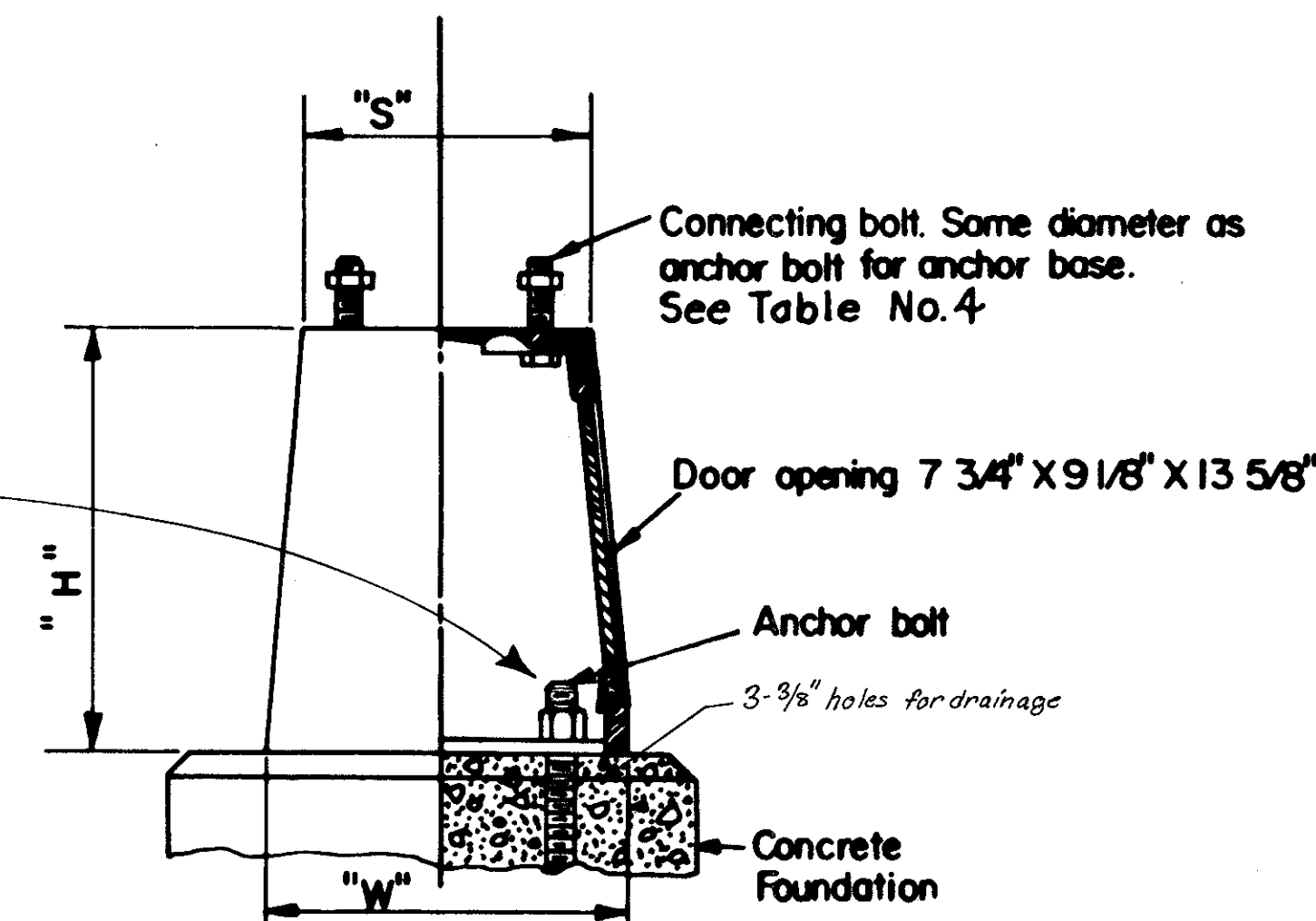


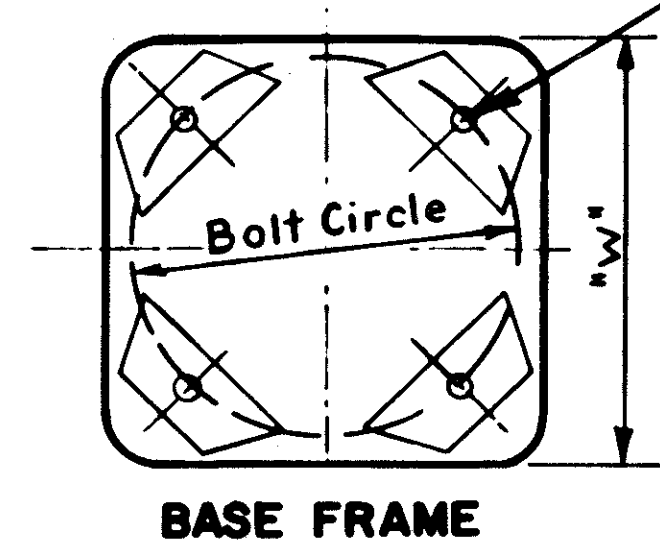
# POLE BASE DETAILS



PROJECTION OF ANCHOR BOLT ABOVE TOP OF FOUNDATION FOR STEEL AND ALUMINUM TRANSFORMER BASES SHALL BE 4 1/2".



SHAFT SIZE	"T"	"S"	"W"	BOLT CIRCLE
6.0" thru 9.2"	3.4" min.	13" sq.	16" sq.	15"
8.5" thru 10"	1 1/4" min.	15" sq.	18" sq.	17 1/4"
11" and 12"	1 1/4"	17" sq.	25" sq.	22"



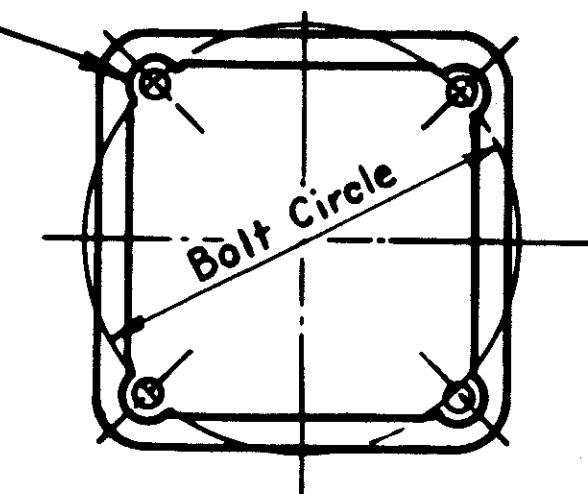
BASE FRAME

## STEEL TRANSFORMER BASES

SHAFT SIZE	POLE GAUGE		
	NO. 11	NO. 7	NO. 3
6.5"	1" x 40"	1" x 40"	1 1/4" x 48"
7"			
7.5"			
8"			
8.5"			
9"			
9.5"			
10"			
11"			
12"			

40" bolts include 4" bend  
48" and 60" bolts include 6" bend

TYPE	"H"	"S"	"W"	BOLT CIRCLE	SHAFT SIZE
AT-A	20"	13"	16 3/8"	15"	SEE NOTE (2)
AT-C	20"	14 5/8"	17 1/4"	17 1/4"	SEE NOTE (3)



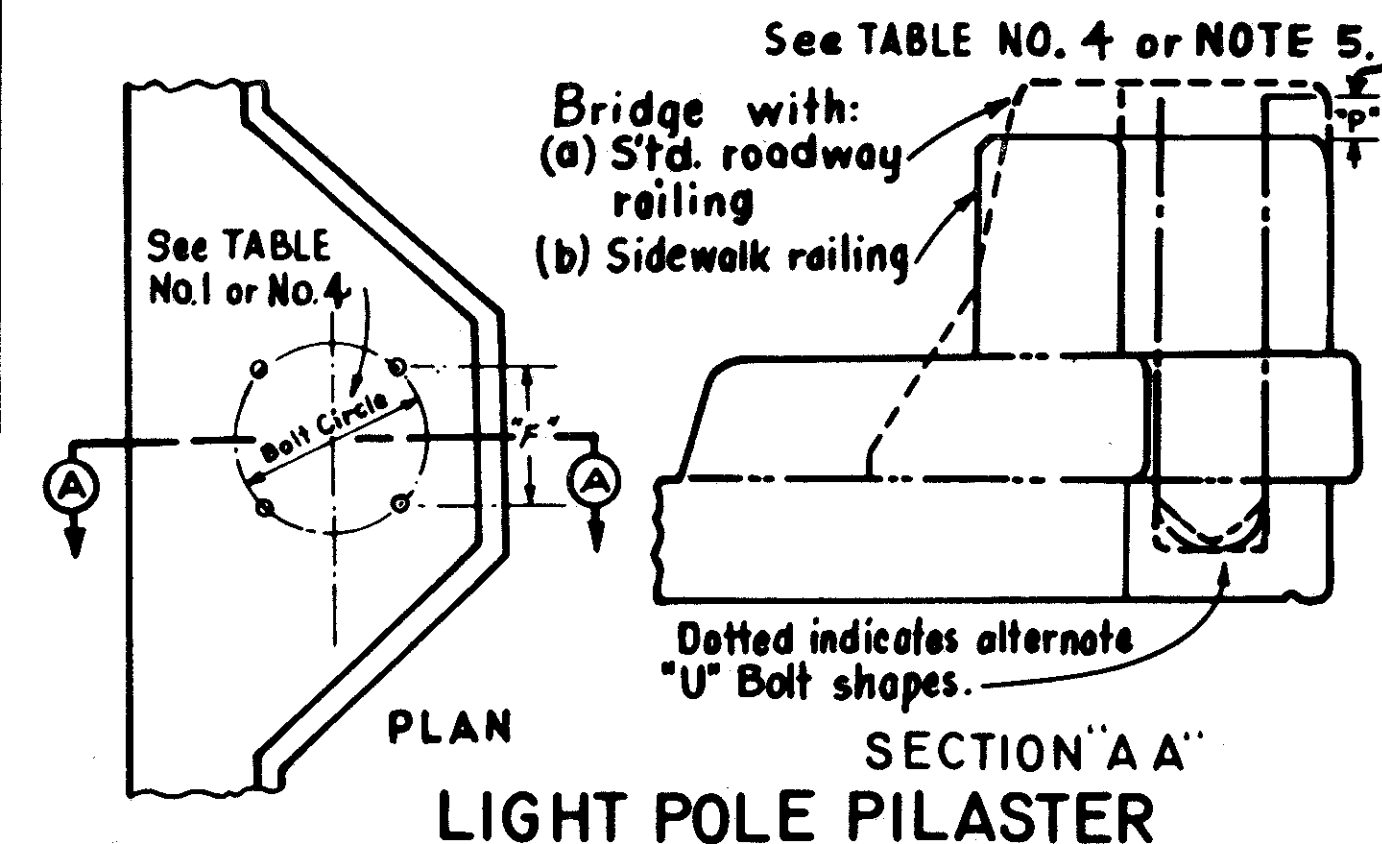
BASE FRAME

## CAST ALUMINUM TRANSFORMER BASES

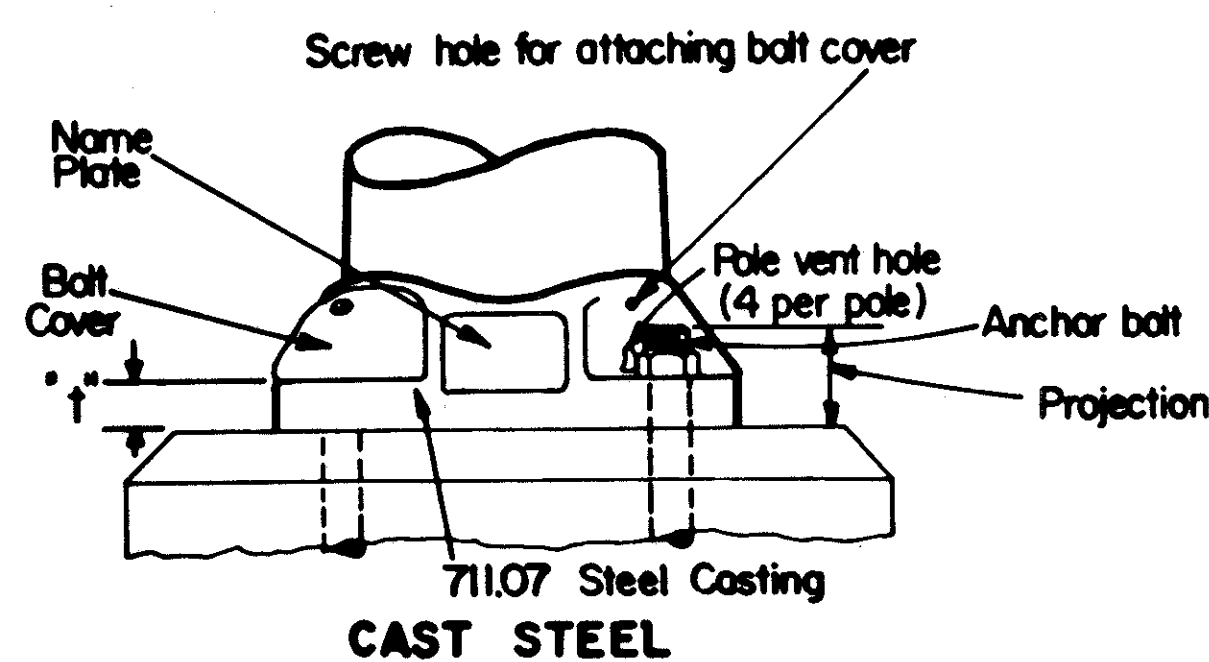
SHALL NOT BE USED WHERE OVERHEAD WIRING IS REQUIRED

SHAFT SIZE	"F"	U-BOLT * LENGTH
6.5"	6 3/4"	75"
7.0"	7 1/16"	75"
7.5"	7 1/16"	76 1/2"
8.0"	7 3/4"	76 1/2"
8.5"	8 1/8"	76 1/2"
9.0"	8 7/8"	78"
9.5"	9 3/16"	78"
10.0"	9 9/16"	79 1/2"
11.0"	10 5/8"	79 1/2"
12.0"	11 1/2"	81"

\* See NOTES 4 & 5



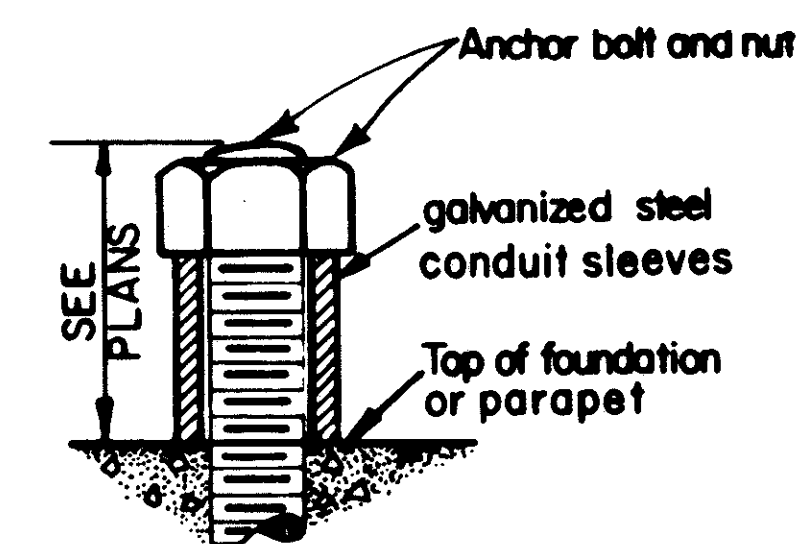
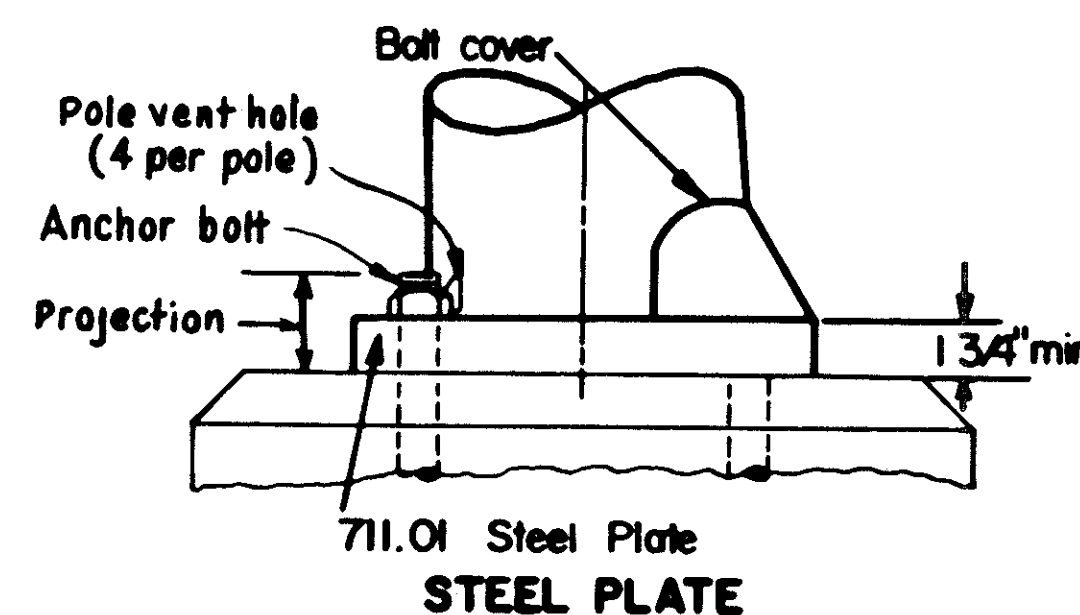
## BRIDGE MOUNTED POLES



SHAFT SIZE	BOLT CIRCLE	BOLT * PROJ.	"t"	POLE GAUGE		
				NO. 11	NO. 7	NO. 3
6.5"	9 1/2"	2 1/8"	7/8"			
7"	10"	2 1/4"	1"			
7.5"	10 1/2"	2 5/8"	1 1/8"			
8"	11"	2 5/8"	1 3/16"			
8.5"	11 1/2"	2 3/4"	1 1/4"	1" x 40"		1 1/4" x 48"
9"	12 1/2"	3"	1 5/16"			
9.5"	13"	3 1/8"	1 3/8"			1 1/2" x 60"
10"	13 1/2"	3 3/8"	1 7/16"	1 1/4" x 48"		
11"	15"	3 5/8"	1 5/8"			1 1/2" x 60"
12"	16"	4"	1 11/16"			1 3/4" x 90"

\* Based on cast steel anchor bases only. Plate bases may deviate.

## STEEL ANCHOR BASES



ANCHOR BOLT COVER  
Note: To be placed on all light pole anchor bolts provided for future lighting installations.