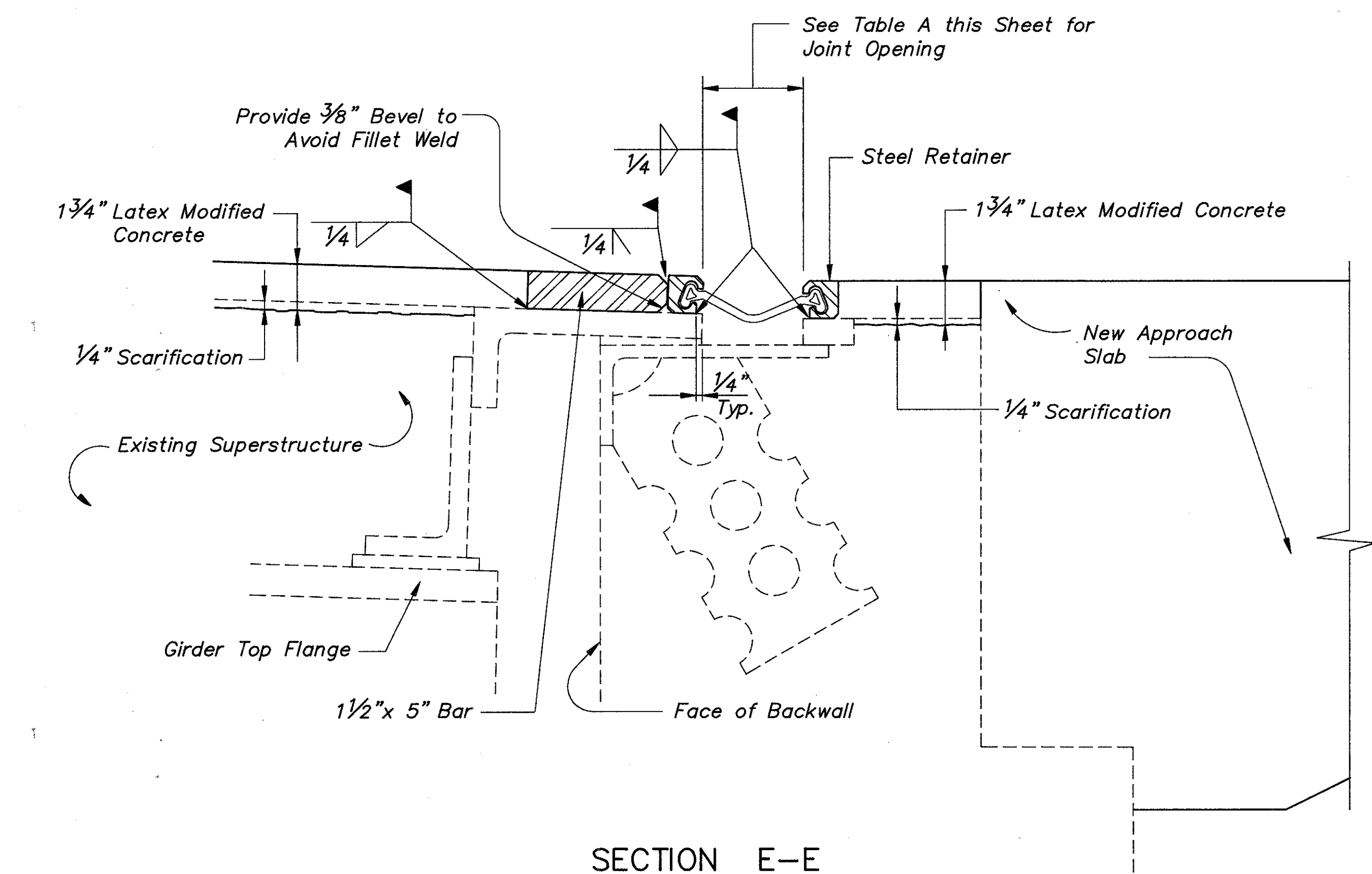
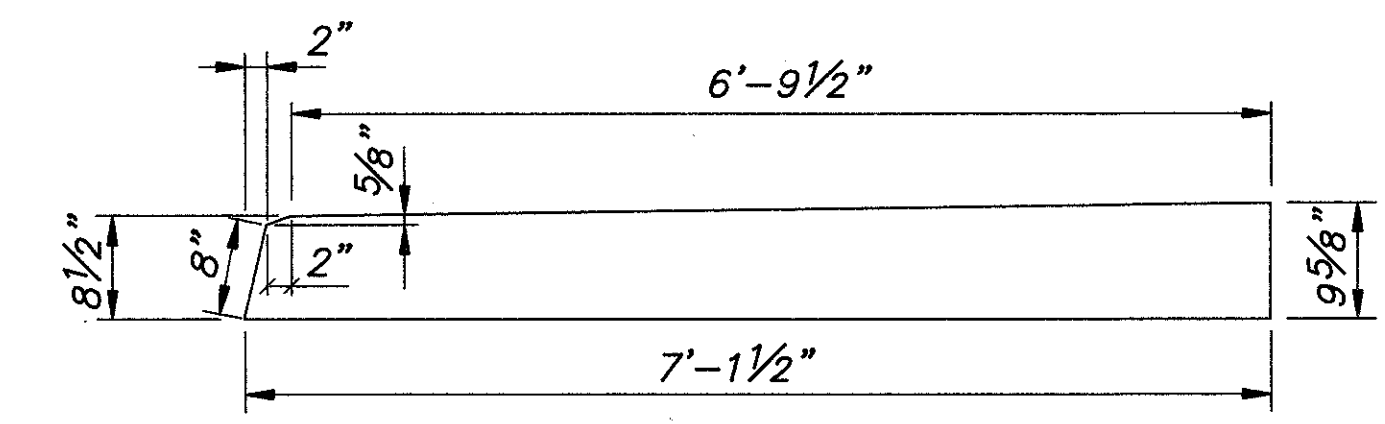


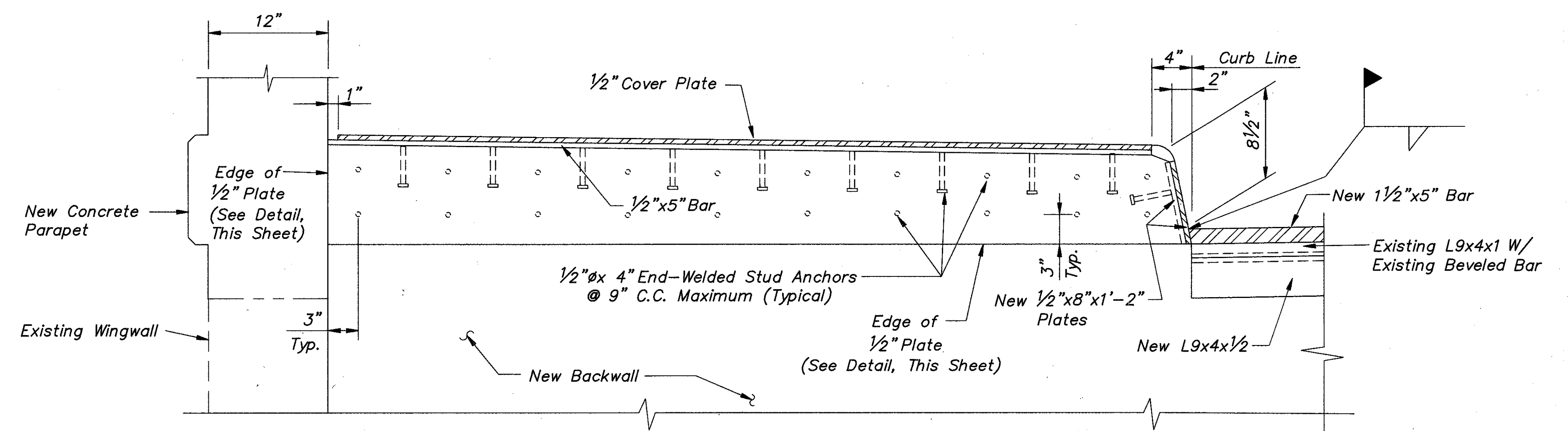
SECTION D-D
AT REAR ABUTMENT



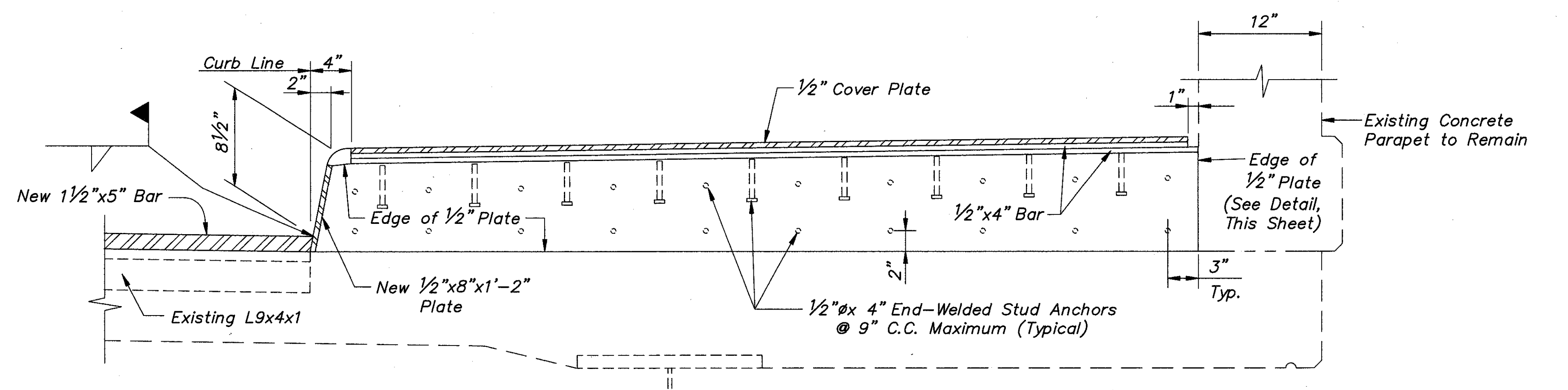
SECTION E-E
AT FORWARD ABUTMENT



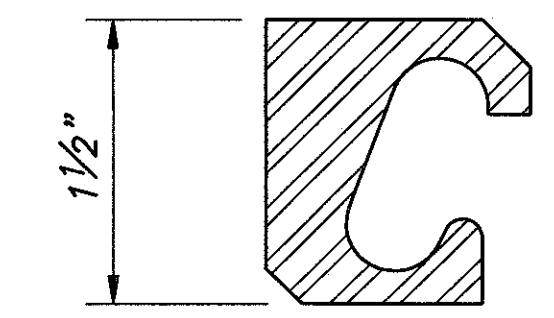
1/2" END DAM PLATE DETAIL



SECTION F-F



SECTION G-G



STEEL RETAINER DETAIL

JOINT	SKEW	DISTANCE "D _A "	DISTANCE "D _M "	JOINT LENGTH	JOINT OPENING*	SEAL SIZE (IN.)
Rear Abutment	33° 44' 38"	292'-6"	243'-3"	60.13'	2 3/8"	5"
Forward Abutment	38° 38' 08"	389'-6"	304'-3"	64.01'	2 1/4"	5"

*Assumes 60° Ambient Temperature. See Table D on Sheet 20/21
For Joint Opening if the Temperature is Other than 60° F.

Joint Length is Measured Horizontally Along Centerline of the Joint Face to Face of Curbs.

COLPETZER-THOMAS, INC.
AN ENGINEERING GROUP
WILLOUGHBY • MENTOR • NORTH CANTON • STEUBENVILLE • LORAIN 19/21

EXPANSION JOINT DETAILS
LAK-615-0402
LAKE COUNTY

DESIGNED	DRAWN	TRACED	CHECKED	REVIEWED	DATE	REVISED
JPR	R.L.B.	R.L.B.	RJC	SEA	9-22-88	