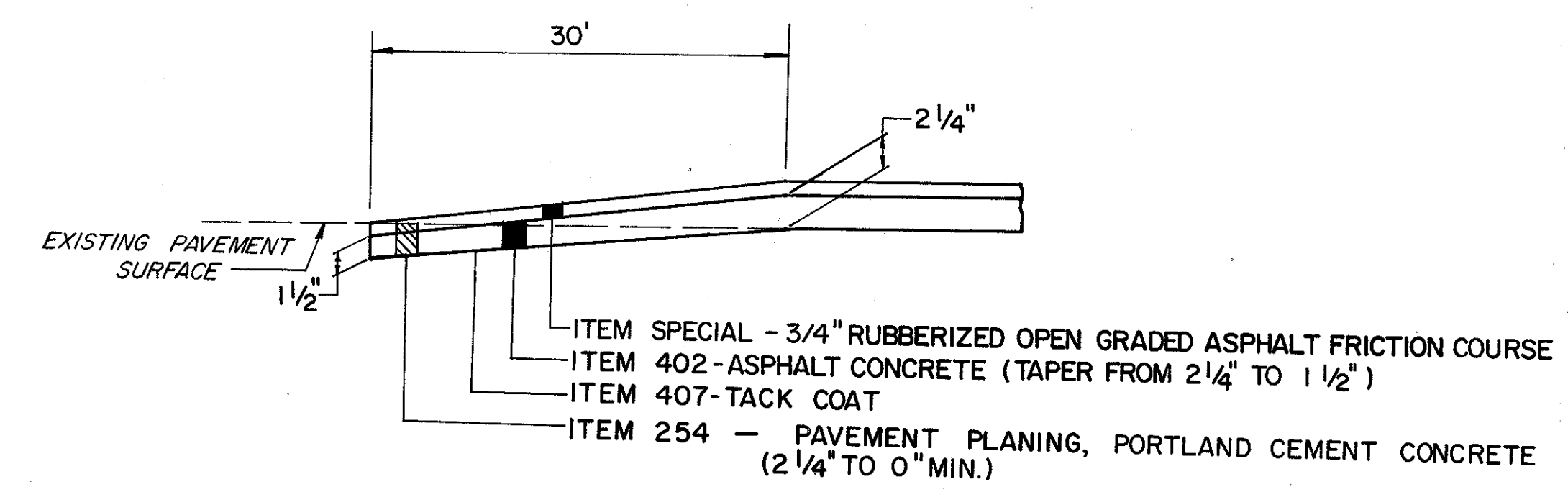
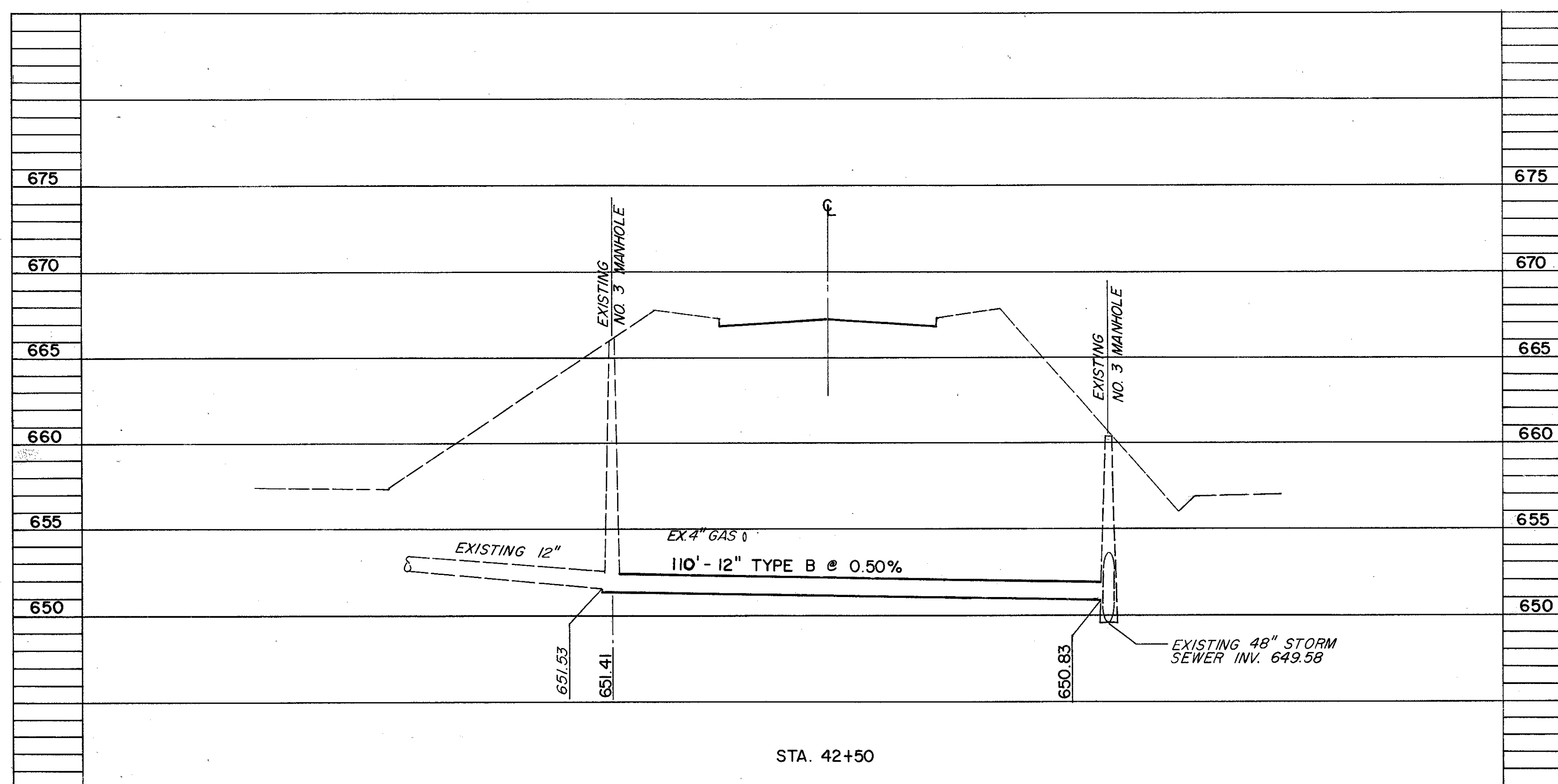
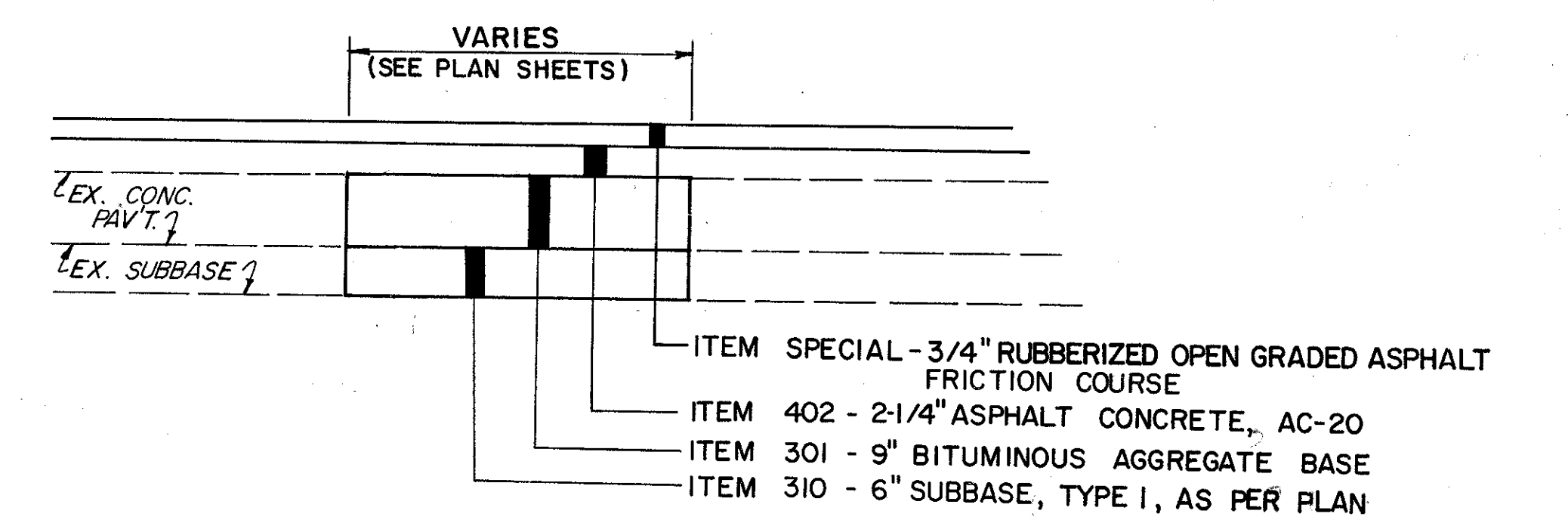


SEE SHEET 56 FOR TAPER OF LATEX MODIFIED CONC. OVERLAY THICKNESS ON BRIDGE DECK.

**BUTT JOINT DETAIL
 AT
 APPROACH SLAB**



**BUTT JOINT DETAIL
 AT
 PAVING LIMITS**



**PAVEMENT REPLACEMENT OVER
 STORM SEWER TRENCH
 STA. 42+50
 STA. 56+84**