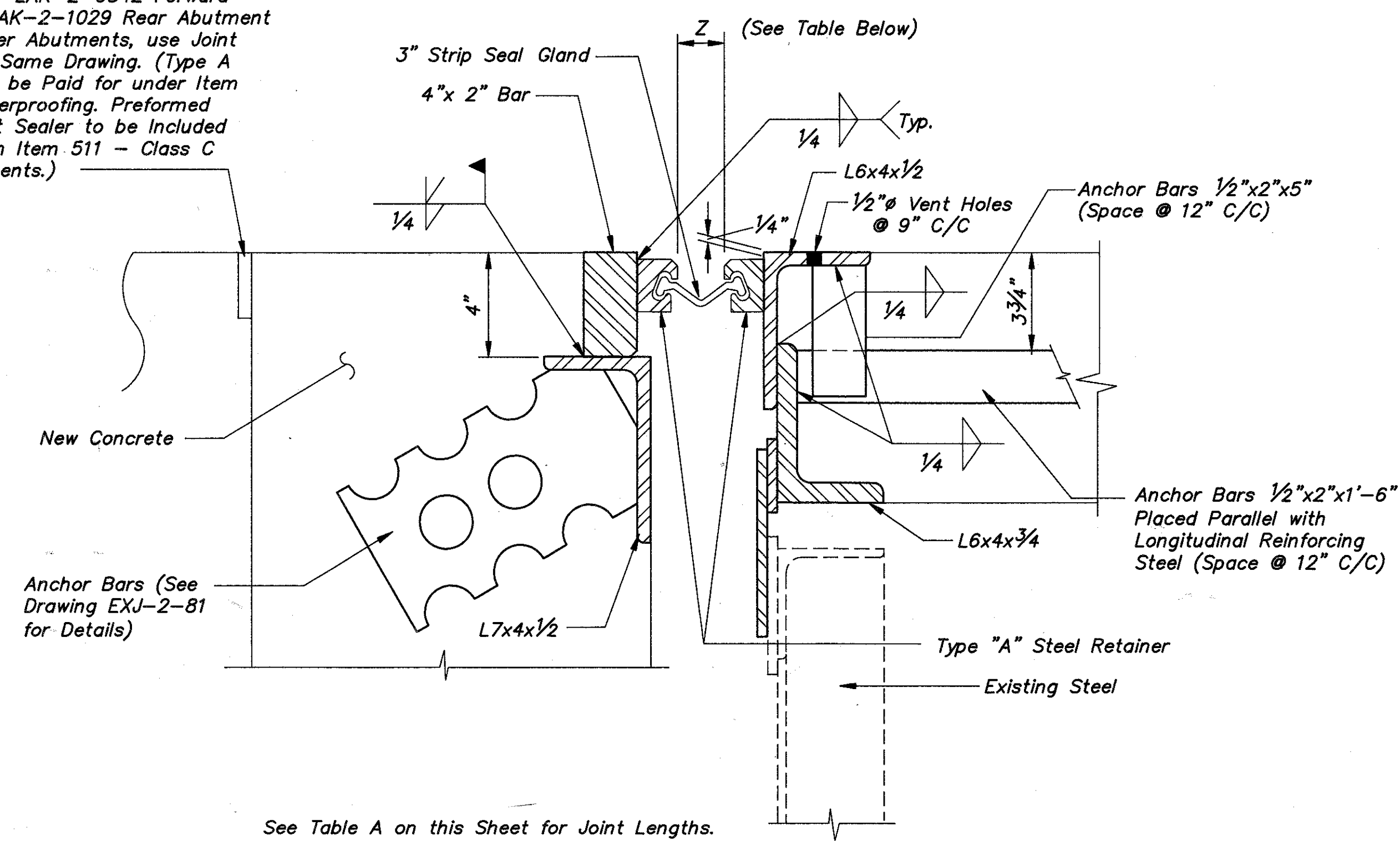


See Joint Detail B on Drawing AS-1-81, Sheet 2 of 3 for LAK-2-0542 Forward Abutment and LAK-2-1029 Rear Abutment only. For all other Abutments, use Joint Detail C on the Same Drawing. (Type A Waterproofing to be Paid for under Item 512-Type A Waterproofing, Preformed Elastomeric Joint Sealer to be Included for Payment with Item 511 - Class C Concrete, Abutments.)

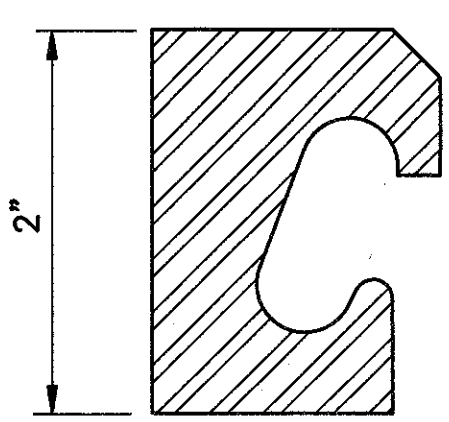


NEW TRANSVERSE EXPANSION JOINT (ALL STRUCTURES)

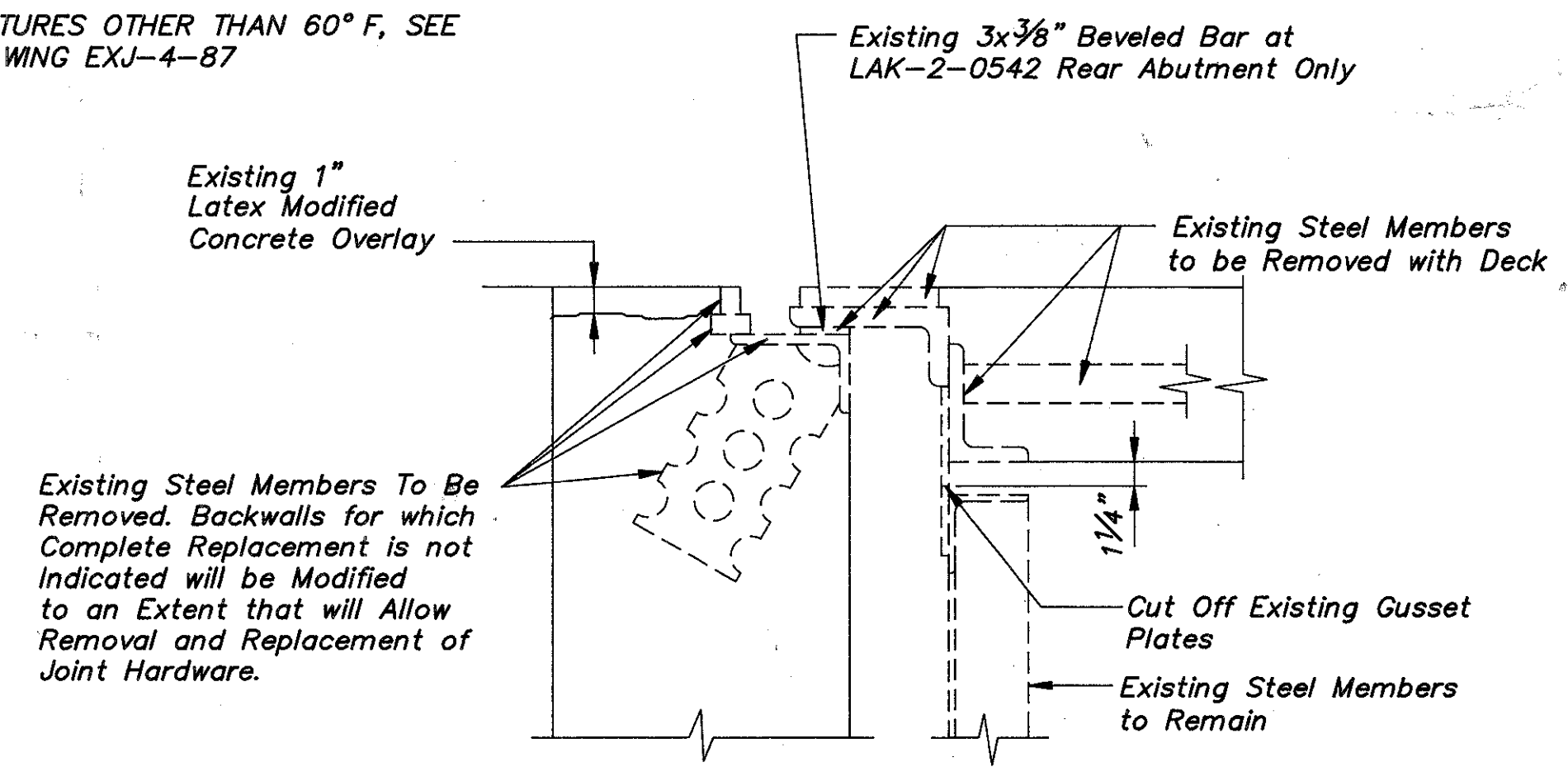
STRUCTURE	SKEW	DISTANCE "D _A "	JOINT LENGTH	Z @ 60° F *	
				REAR ABUTMENT	FORWARD ABUTMENT
LAK-2-0180L	5° 35' 00"	44.0' R. / 116.5' F.	53.09'	1 3/4"	1 5/8"
LAK-2-0180R	5° 35' 00"	44.0' R. / 116.5' F.	53.09'	1 3/4"	1 5/8"
LAK-2-0363L	34° 00' 00"	36.0' R. / 96.0' F.	63.73'	1 3/4"	1 5/8"
LAK-2-0363R	34° 00' 00"	36.0' R. / 96.0' F.	63.73'	1 5/8"	1 5/8"
LAK-2-0542	21° 06' 46"	121.0'	81.47'	1 5/8"	1 5/8"
LAK-2-1029	15° 13' 34"	122.0'	39.38'	1 5/8"	1 5/8"

JOINT LENGTH IS MEASURED HORIZONTALLY ALONG THE CENTERLINE OF THE JOINT TOE TO TOE OF ROADWAY PARAPETS OR FACE TO FACE OF SIDEWALK PARAPETS.

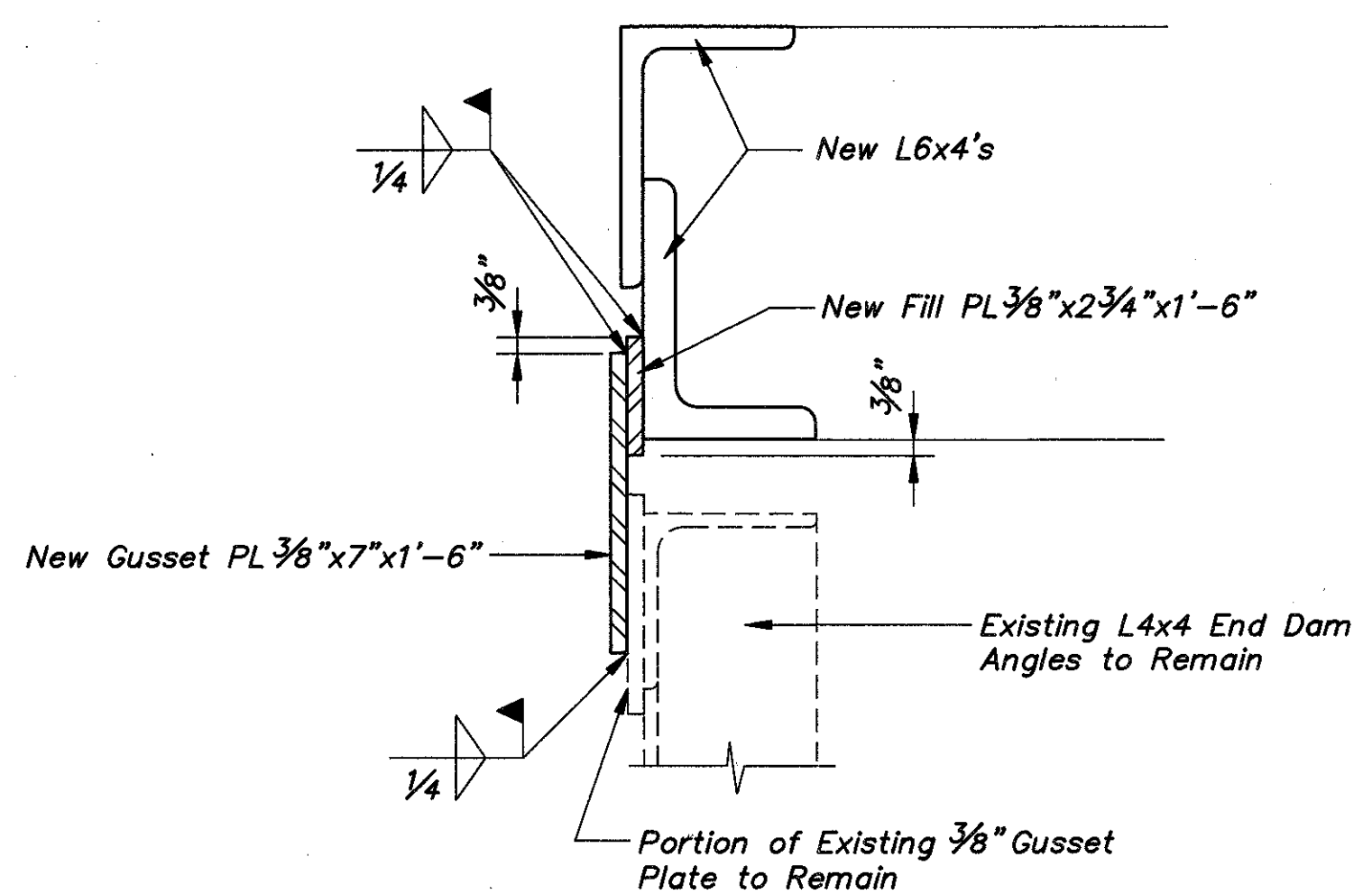
* FOR TEMPERATURES OTHER THAN 60° F, SEE TABLE B, DRAWING EXJ-4-87



TYPE "A" STEEL RETAINER

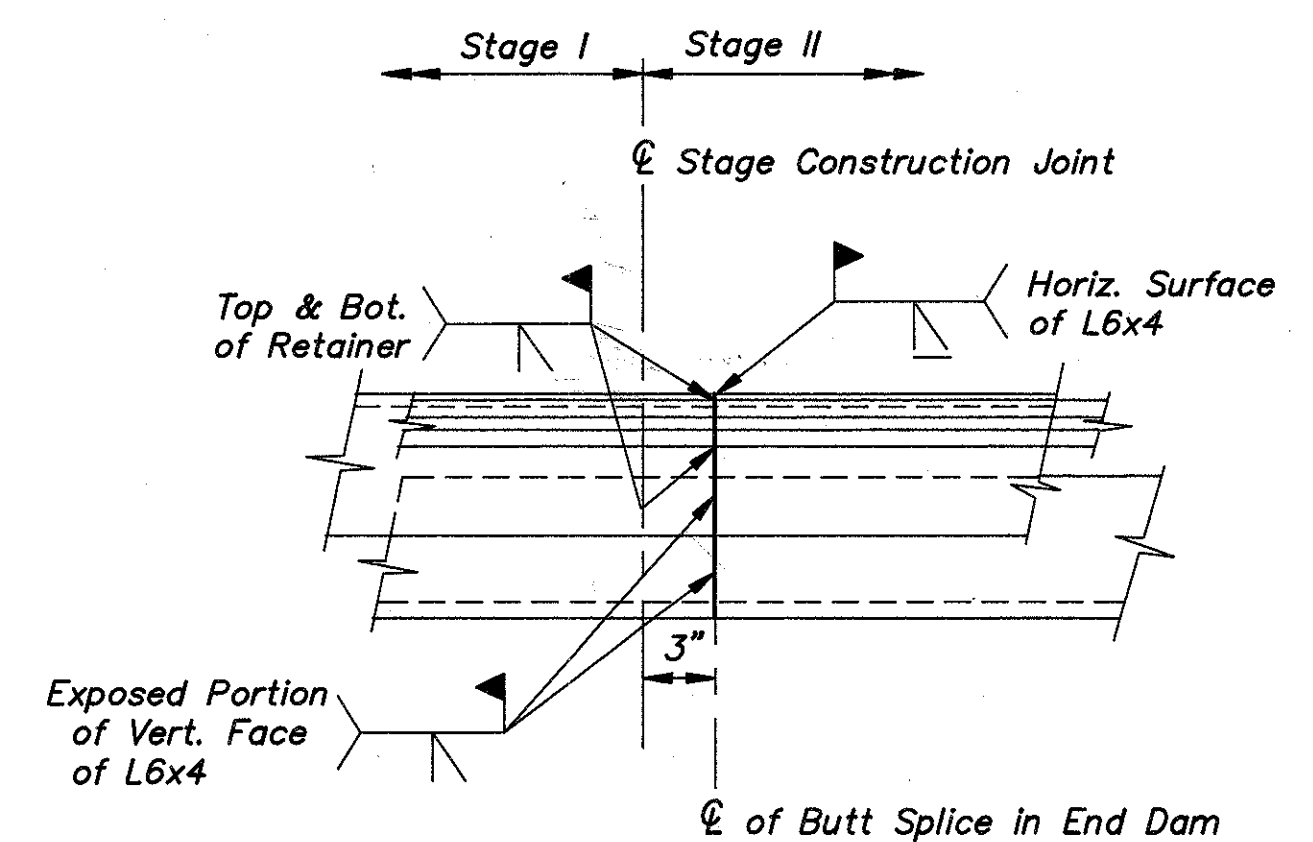


EXISTING TRANSVERSE EXPANSION JOINT (ALL STRUCTURES)

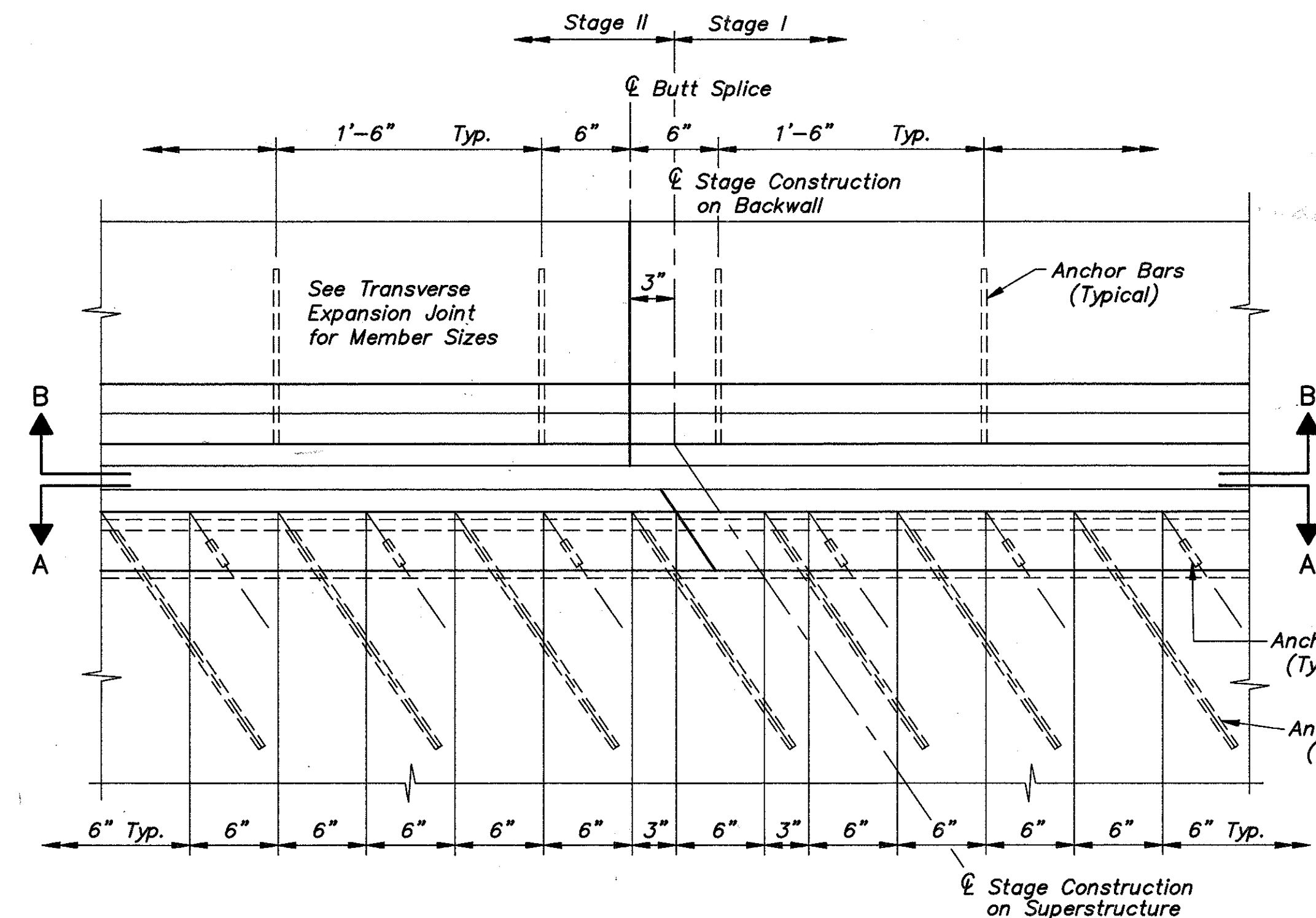


END DAM GUSSET PLATE REPAIR DETAIL (ALL STRUCTURES)

Removal of Required Portion of Existing 3/8" Gusset Plate to be Paid for Under Item 202-Portions of Structures Removed. New 3/8" Gusset Plate and 3/8" Fill Plate and their Installation shall be Included with Item 516-Structural Expansion Joints including Elastomeric Strip Seals for Payment.



ELEVATION A-A SUPERSTRUCTURE



PLAN AT END DAM SPLICE LAK-2-0180 L & R LAK-2-0363 L & R

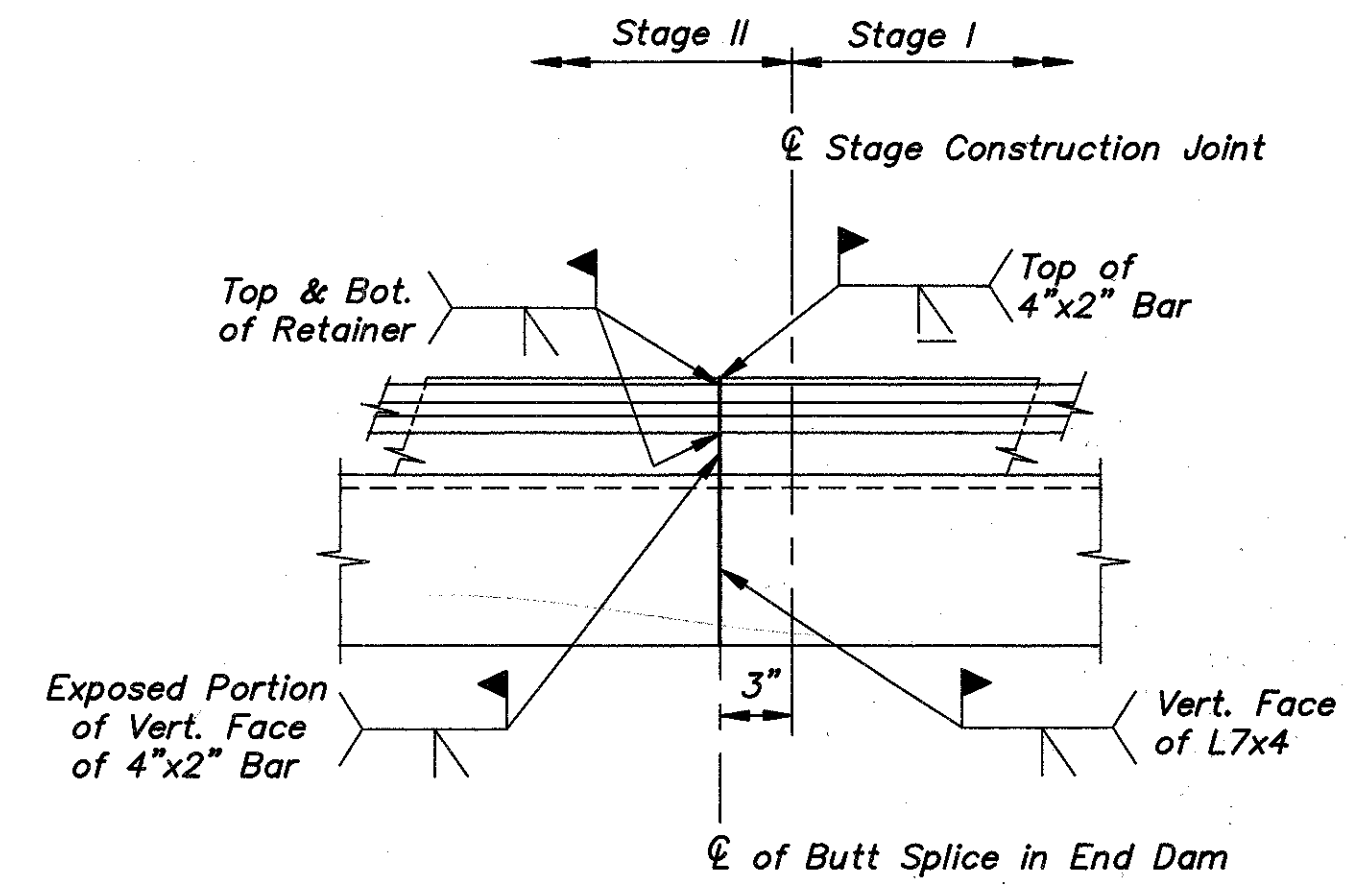
Note: All field butt joints shall be welded together as required prior to placing Phase II concrete. Elastomeric strip seals shall be furnished in one continuous piece at each joint and shall be installed after both stages of construction are complete.

NOTE: SEE SHEET 36/78 FOR DETAILS OF THE EXPANSION JOINTS AT THE PROPOSED DEFLECTOR PARAPETS FOR STRUCTURES NUMBERED LAK-2-0180 L & R AND LAK-2-0363 L & R.

SEE SHEET 52/78, 53/78, AND 54/78 FOR DETAILS OF THE EXPANSION JOINT AT THE PROPOSED SIDEWALK AND MEDIAN FORSTRUCTURE NUMBERED LAK-2-0542.

SEE SHEET 71/78 FOR DETAILS OF THE EXPANSION JOINTS AT THE PROPOSED SIDEWALKS FOR STRUCTURE NUMBERED LAK-2-1029.

NOTATION: R.-REAR, F.-FORWARD, TYP.-TYPICAL, HORIZ.-HORIZONTAL, VERT.-VERTICAL, BOT.-BOTTOM



ELEVATION B-B BACKWALL

COLPETZER-THOMAS, INC.
 AN ENGINEERING GROUP
 WILLOUGHBY • MENTOR • NORTH CANTON • STEUBENVILLE • LORAIN 78/78

EXPANSION JOINT DETAILS
 BRIDGE NO. LAK-2-0180 L & R, LAK-2-0363 L & R, LAK-2-0542, AND LAK-2-1029
 LAKE COUNTY

DESIGNED	DRAWN	TRACED	CHECKED	REVIEWED	DATE	REVISED
B.J.A.	R.L.B.	R.L.B.	R.J.C.	J.E.A.	11/15/88	