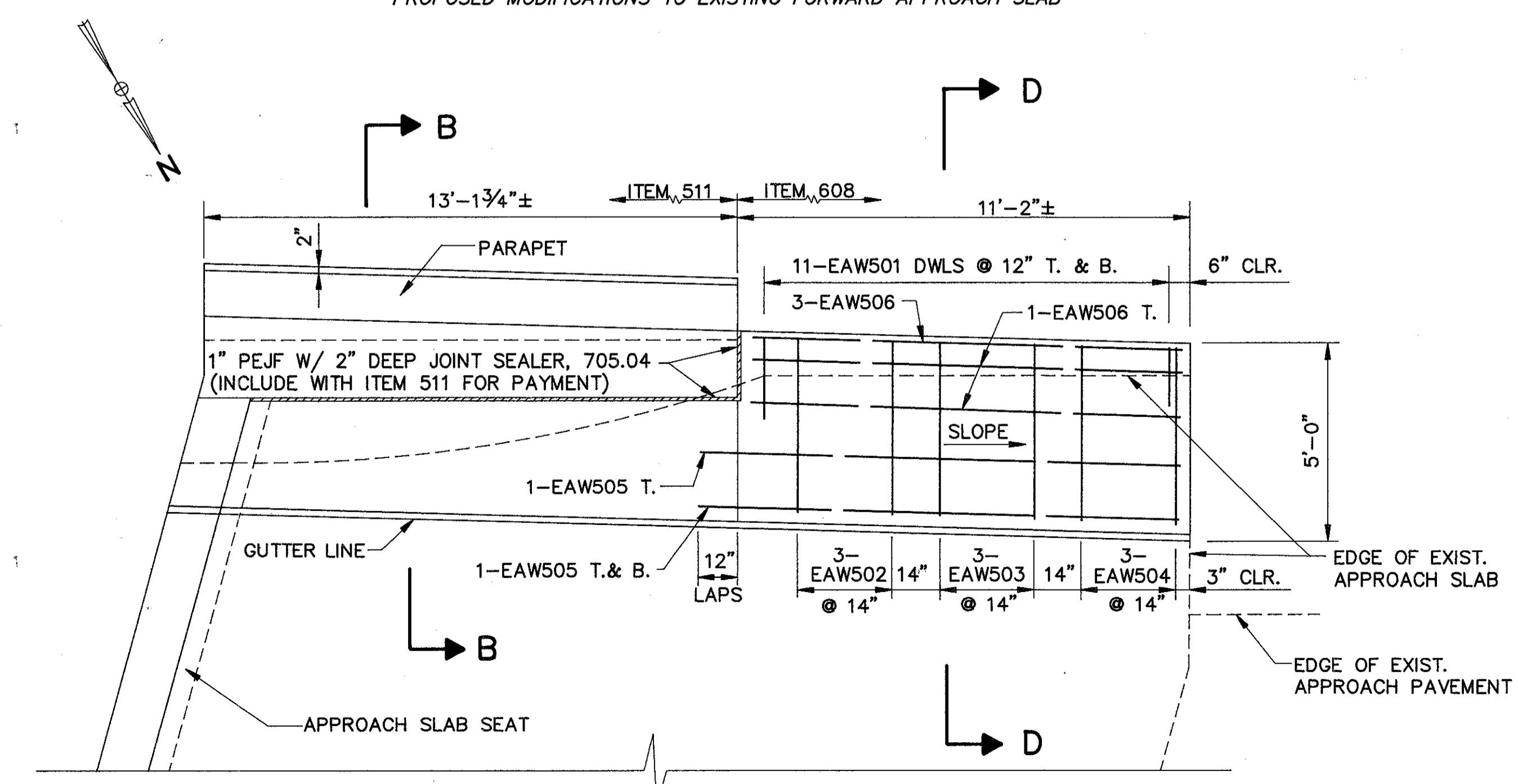


NOTES: FOR SECTION B-B, SEE SHEET 67/78

NOTATION: T. - TOP OF SLAB, B. - BOTTOM OF SLAB, DWLS. - DOWELS



COLPETZER-THOMAS, INC. AN ENGINEERING GROUP <small>WILLOUGHBY • MENTOR • NORTH CANTON • STEUBENVILLE • LORAIN</small>					
73/78					
FORWARD APPROACH SLAB DETAILS					
BRIDGE NO. LAK-2-1029 S.R.2 UNDER MUNSON ROAD LAKE COUNTY					
DESIGNED	DRAWN	TRACED	CHECKED	REVIEWED	DATE
J.P.R.	J.L.J. M.T.W	J.L.J. M.T.W	R.J.C.	J.E.A.	11/15/88