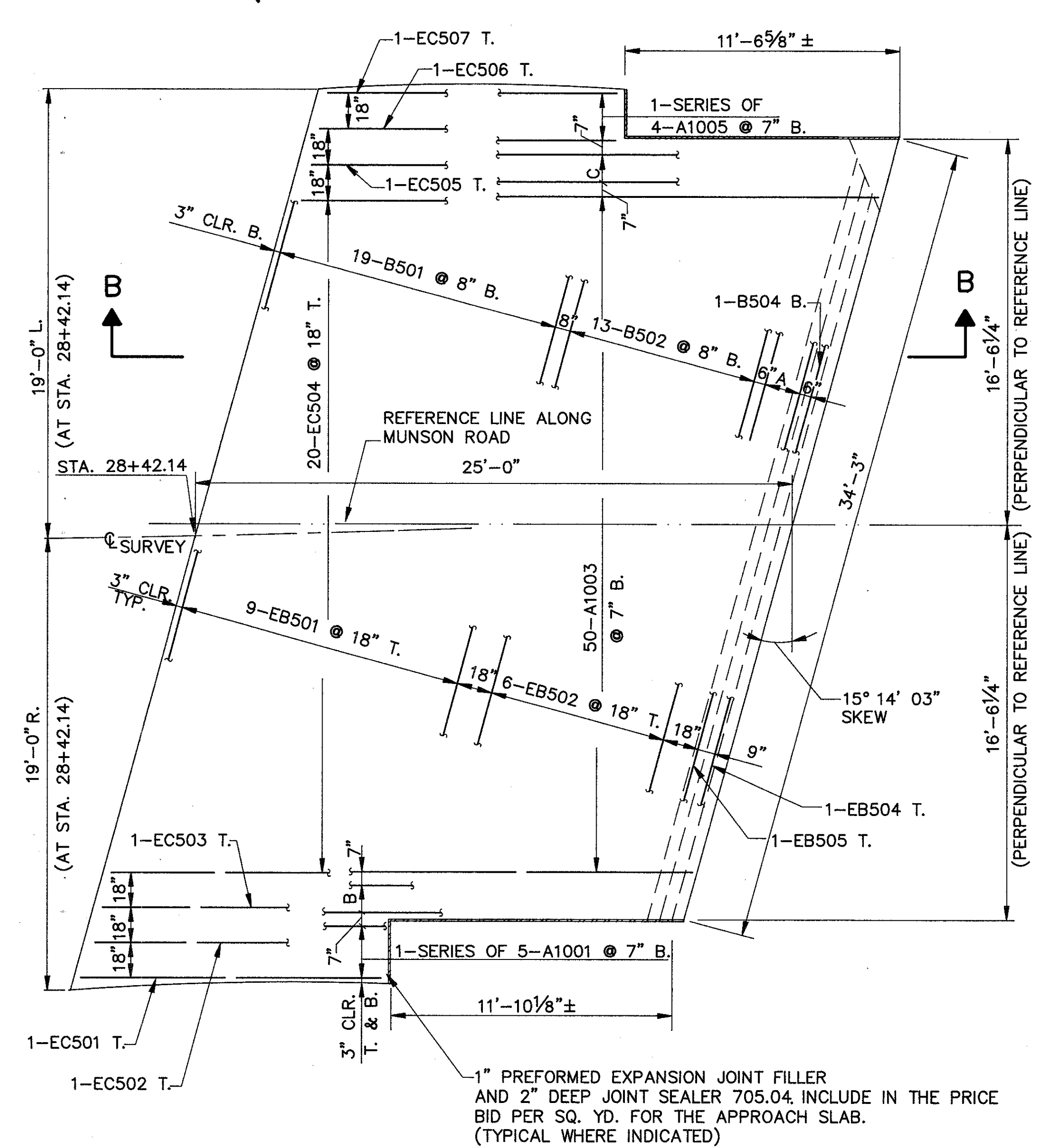
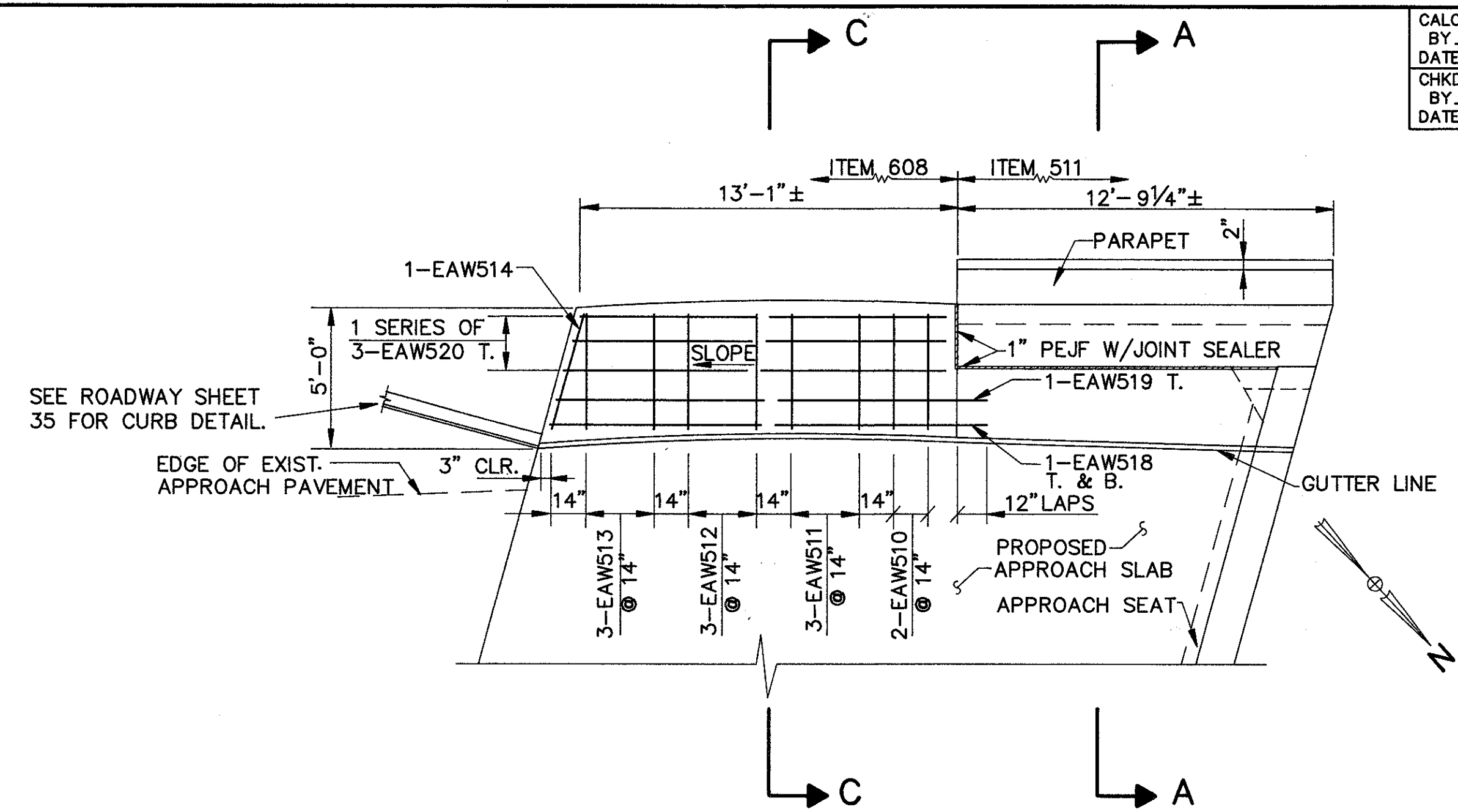


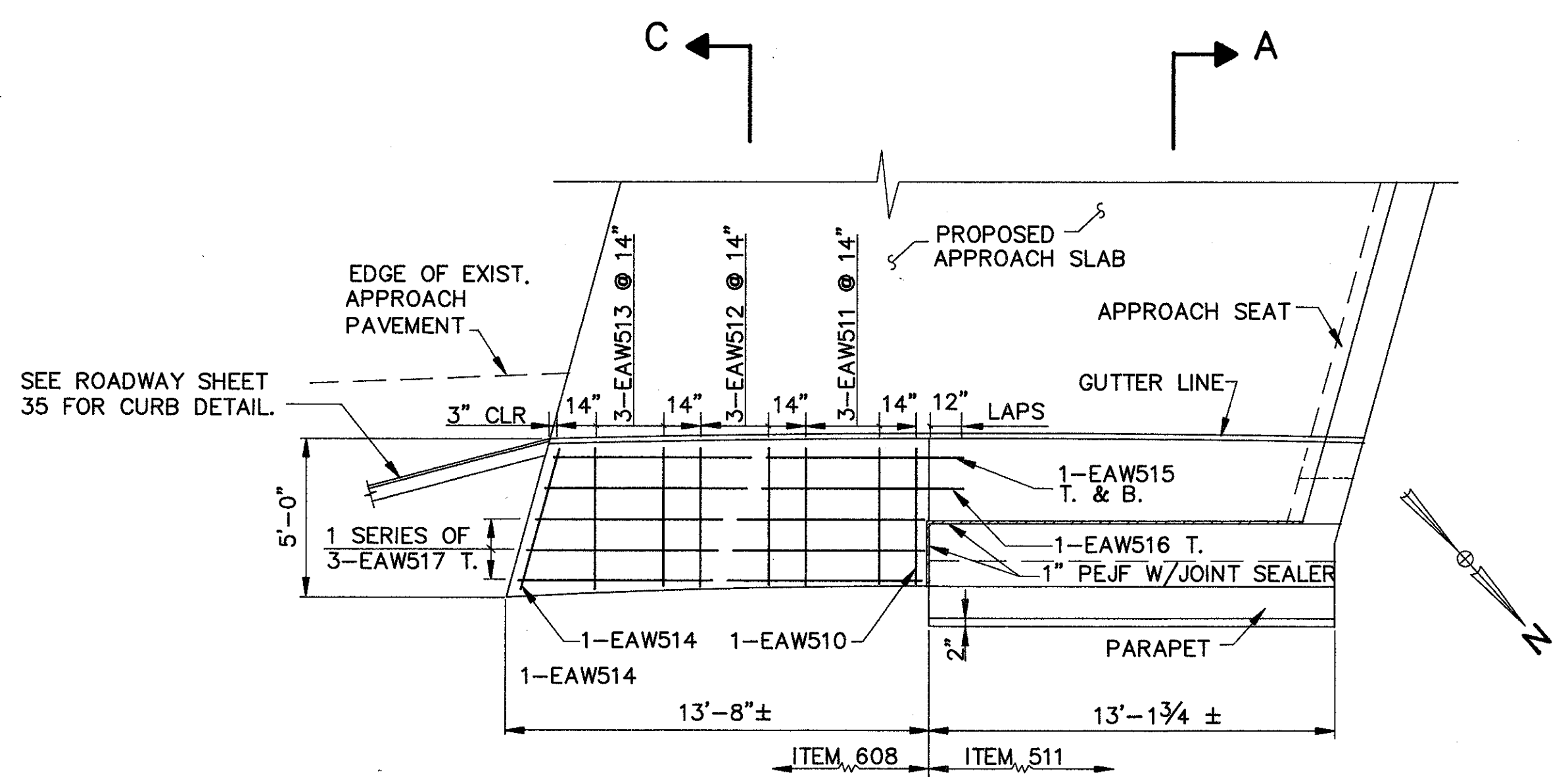
A. 1 SERIES OF 4-B503 @ 6" B.  
 B. 3-A1002 @ 7" B.  
 C. 1 SERIES OF 3-A1004 @ 7" B.



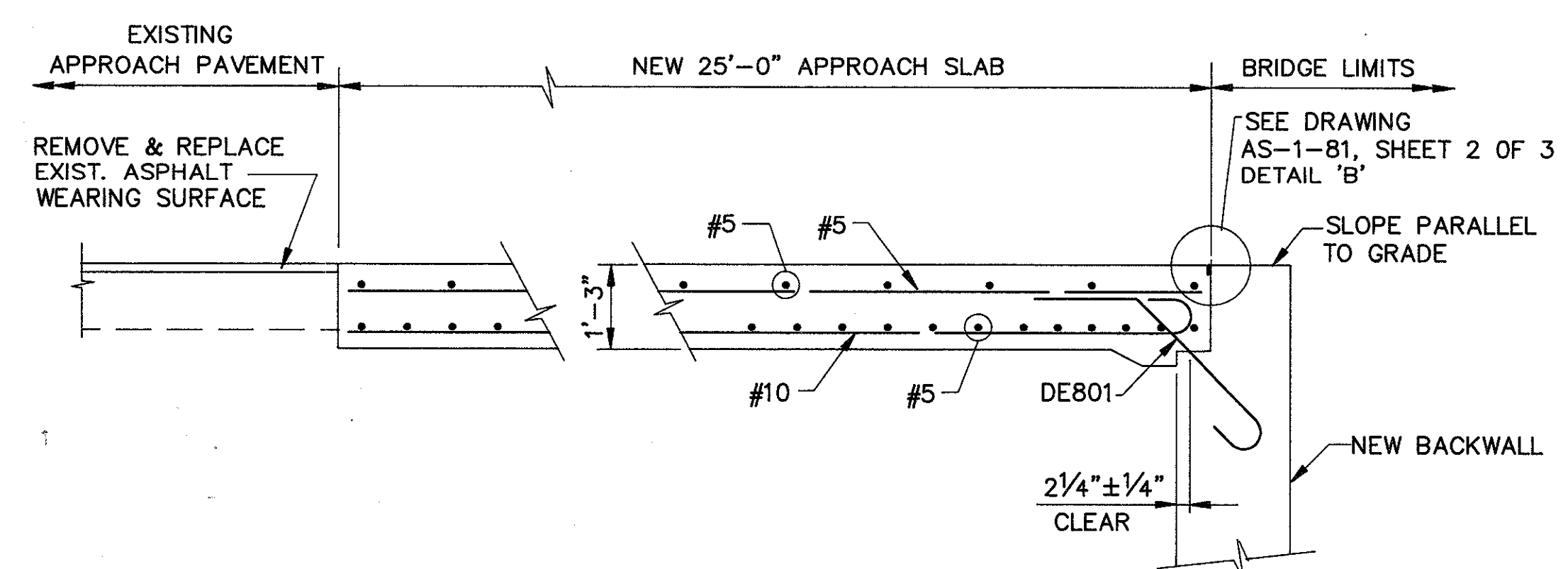
**REAR APPROACH SLAB PLAN**



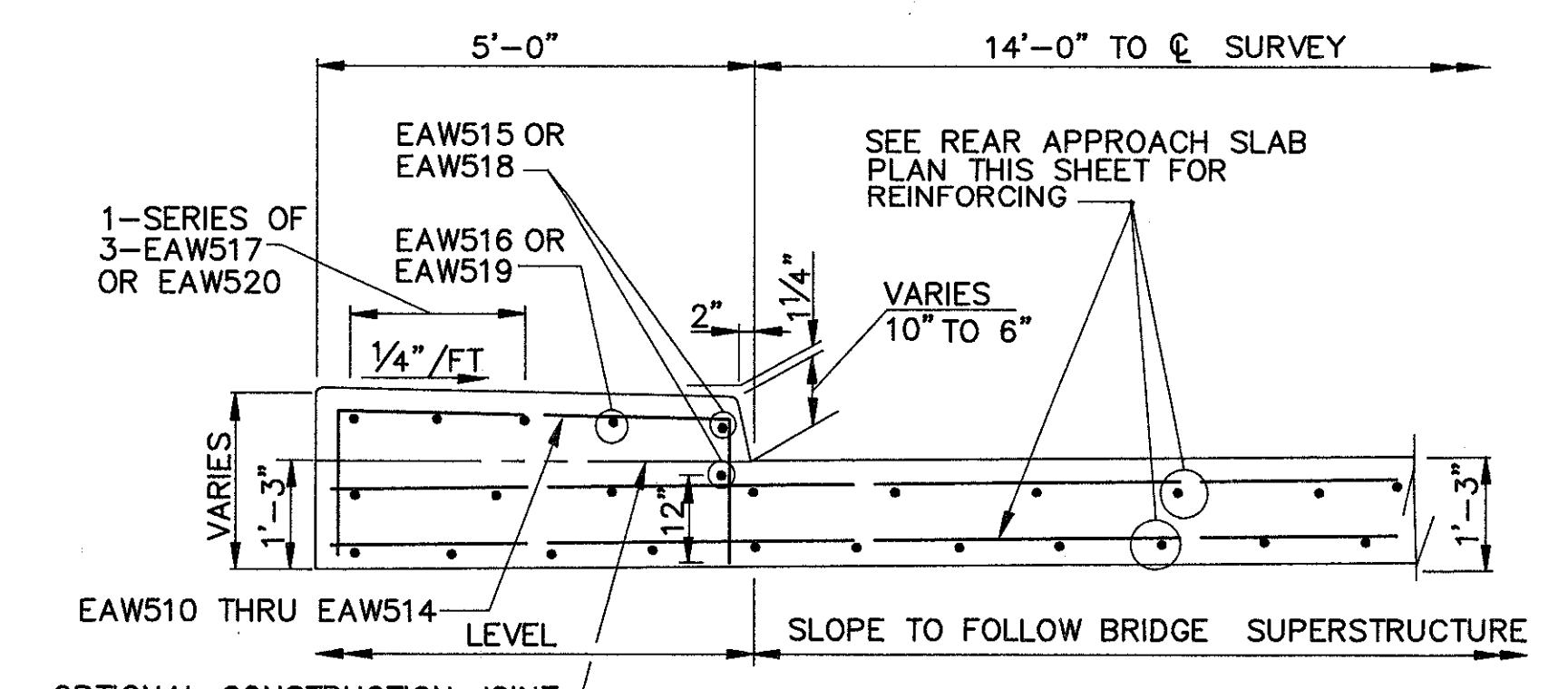
**LEFT SIDEWALK PLAN**



**RIGHT SIDEWALK PLAN**



**SECTION B-B**



**SECTION C-C**

NOTES:  
 FOR SECTION A-A, SEE SHEET 67/78.  
 FOR ADDITIONAL INFORMATION SEE DRAWING AS-1-81 SHEETS 1 & 2 OF 3.  
 NOTATION : T. - TOP OF SLAB, B. - BOTTOM OF SLAB, CLR.-CLEAR

<b>COLPETZER-THOMAS, INC.</b> AN ENGINEERING GROUP WILLOUGHBY • MENTOR • NORTH CANTON • STEUBENVILLE • LORAIN					
<b>REAR APPROACH SLAB DETAILS</b> BRIDGE NO. LAK-2-1029 S.R.2 UNDER MUNSON ROAD LAKE COUNTY					
DESIGNED	DRAWN	TRACED	CHECKED	REVIEWED	DATE
J.P.R.	J.L.J.	J.L.J.	R.J.C.	J.E.A.	11/15/88
	M.T.W.	M.T.W.			