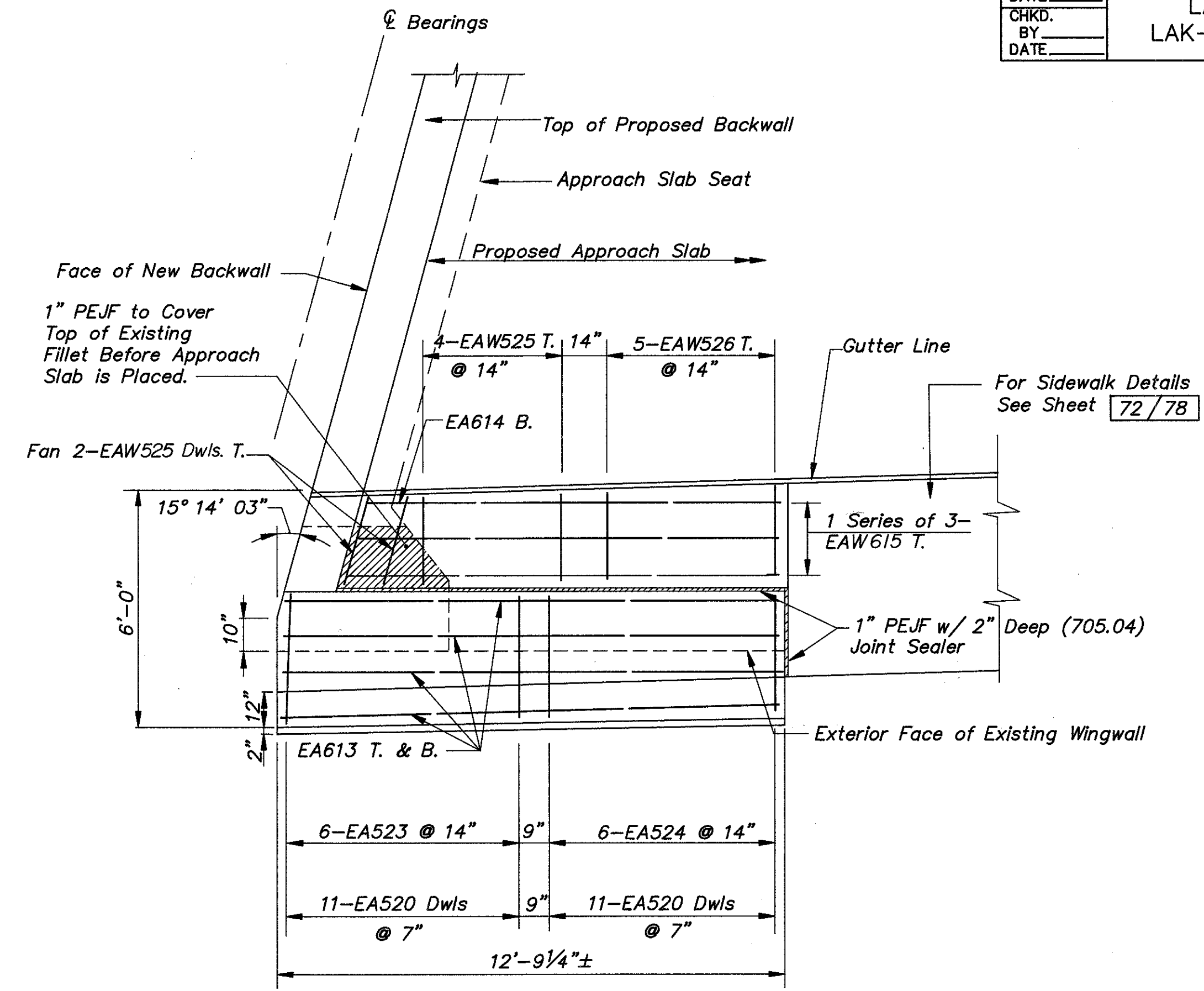
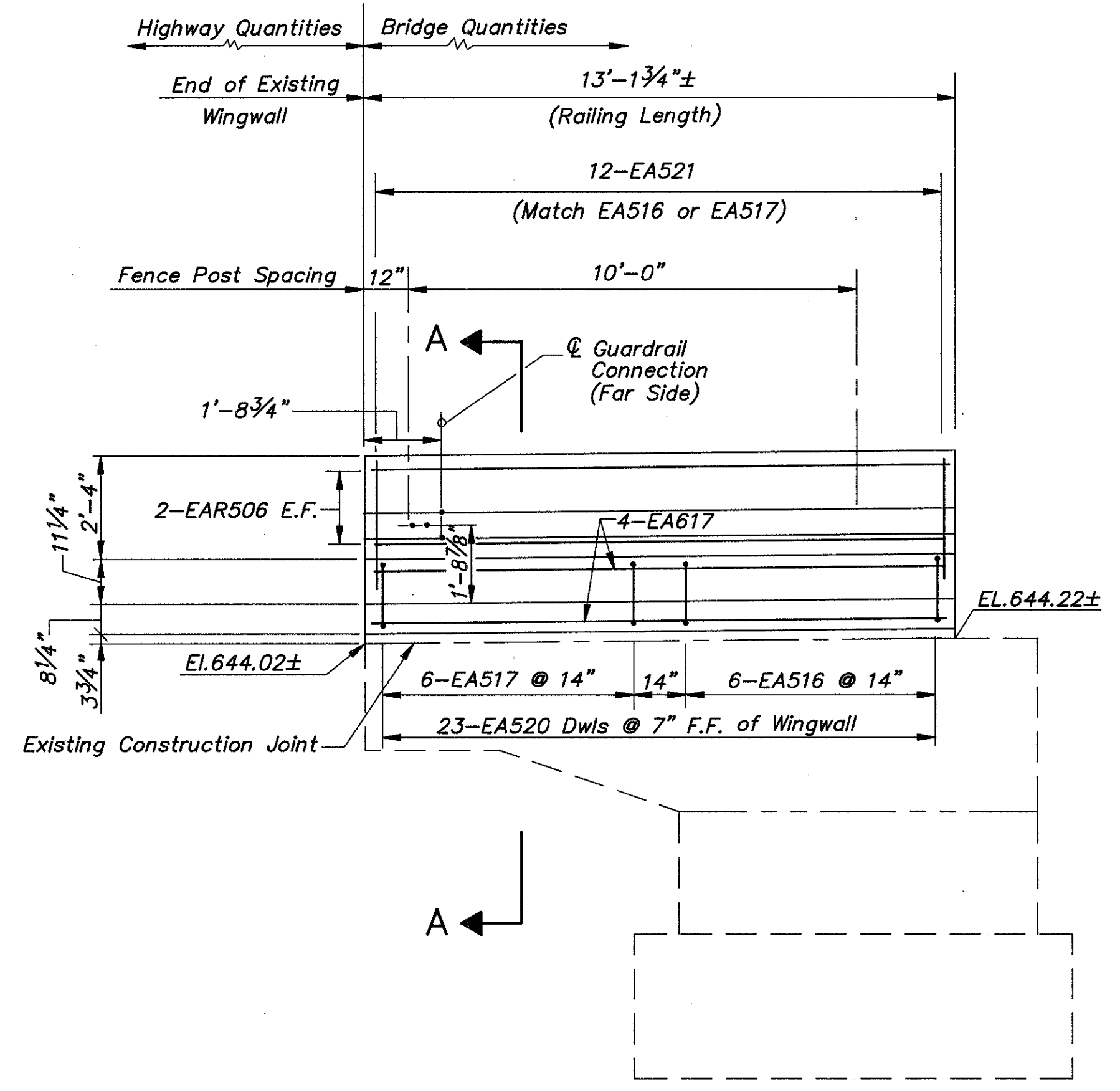


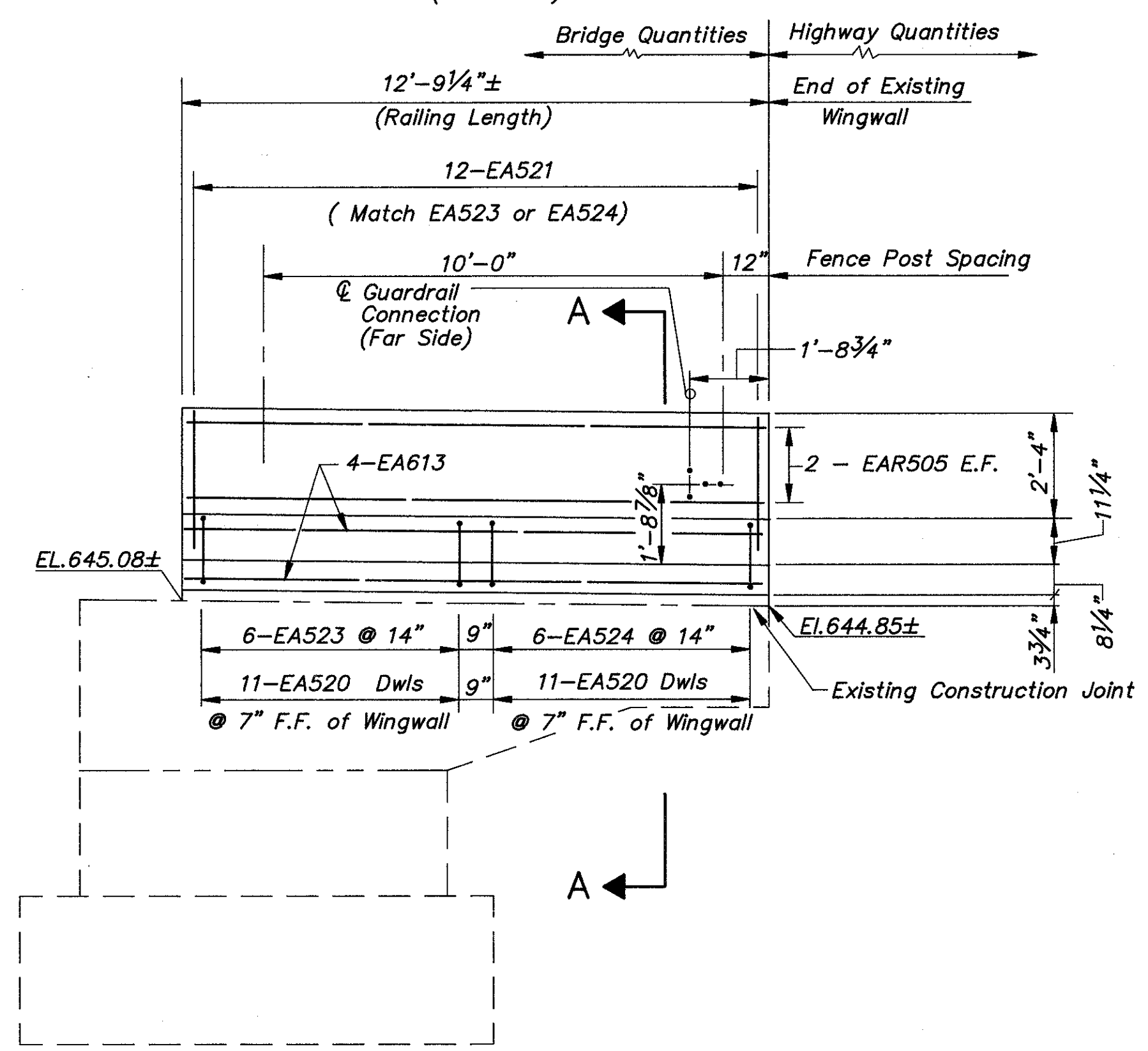
**PLAN**  
PROPOSED SIDEWALK & PARAPET AT REAR ABUT.  
(RIGHT SIDE)



**PLAN**  
PROPOSED SIDEWALK & PARAPET AT REAR ABUT.  
(LEFT SIDE)



**ELEVATION**  
PROPOSED PARAPET ON REAR ABUT. RIGHT WINGWALL



**ELEVATION**  
PROPOSED PARAPET ON REAR ABUT. LEFT WINGWALL

- Notes:
1. For Fence Details, See Sheet 76/78.
  2. For Section A-A See Sheet 67/78.
  3. Notation: N.F.-Near Face, F.F.-Far Face, E.F.-Each Face, T. & B.-Top and Bottom of Slab, Abut. - Abutment
  4. For Type A Guardrail Terminal Connection, See Drawing GR-3.

<b>COLPETZER-THOMAS, INC.</b> AN ENGINEERING GROUP		65/78	
		WILLOUGHBY • MENTOR • NORTH CANTON • STEUBENVILLE • LORAIN	
<b>WINGWALL DETAILS</b>			
BRIDGE NO. LAK-2-1029			
S.R.2 UNDER MUNSON ROAD			
LAKE COUNTY			
DESIGNED	DRAWN	TRACED	CHECKED
H.B.M.	R.L.B.	R.L.B.	R.J.C.
J.P.R.	J.L.J.	J.L.J.	J.E.A.
REVIEWED	DATE	REVISION	
	11/15/88		