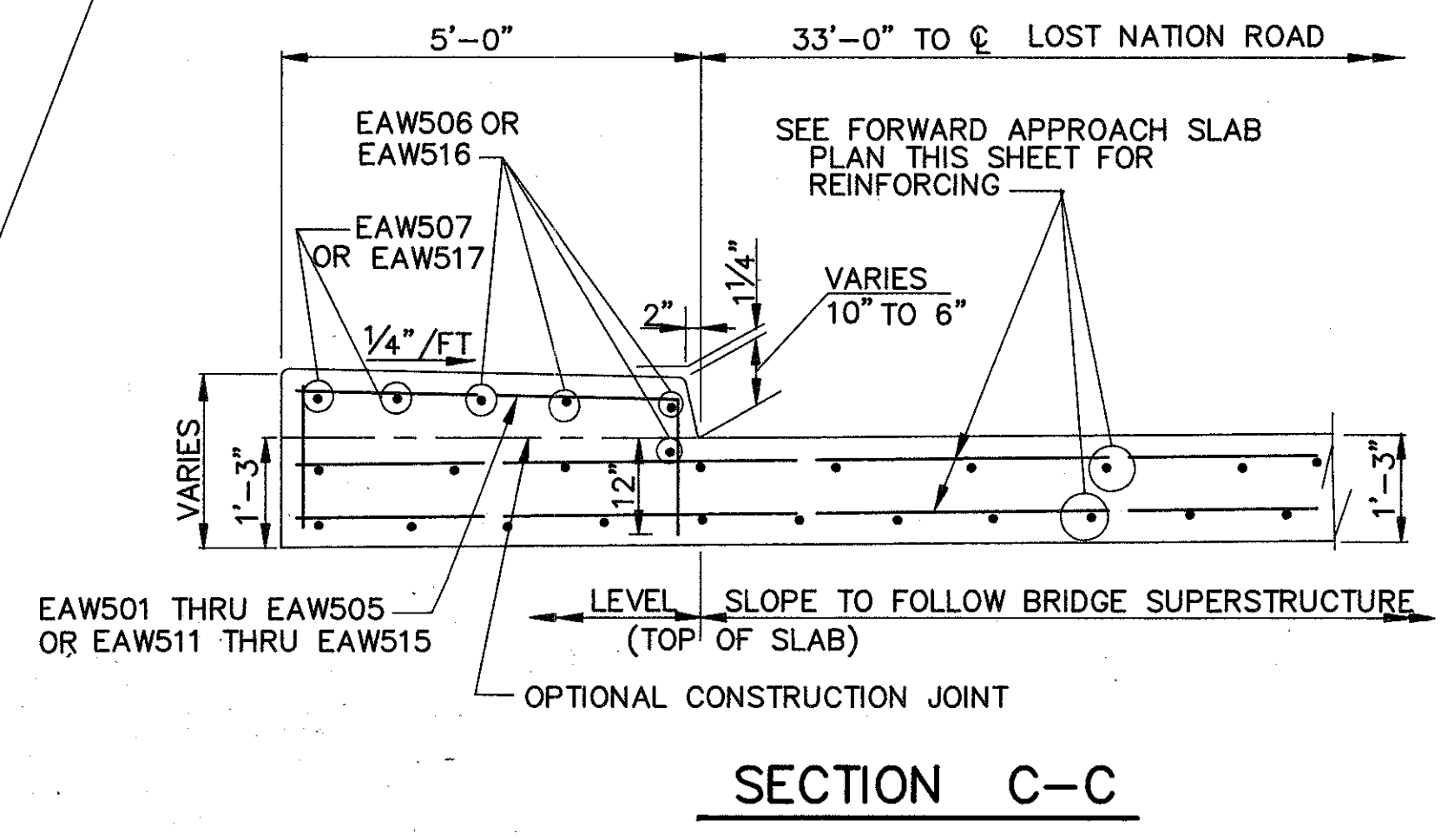
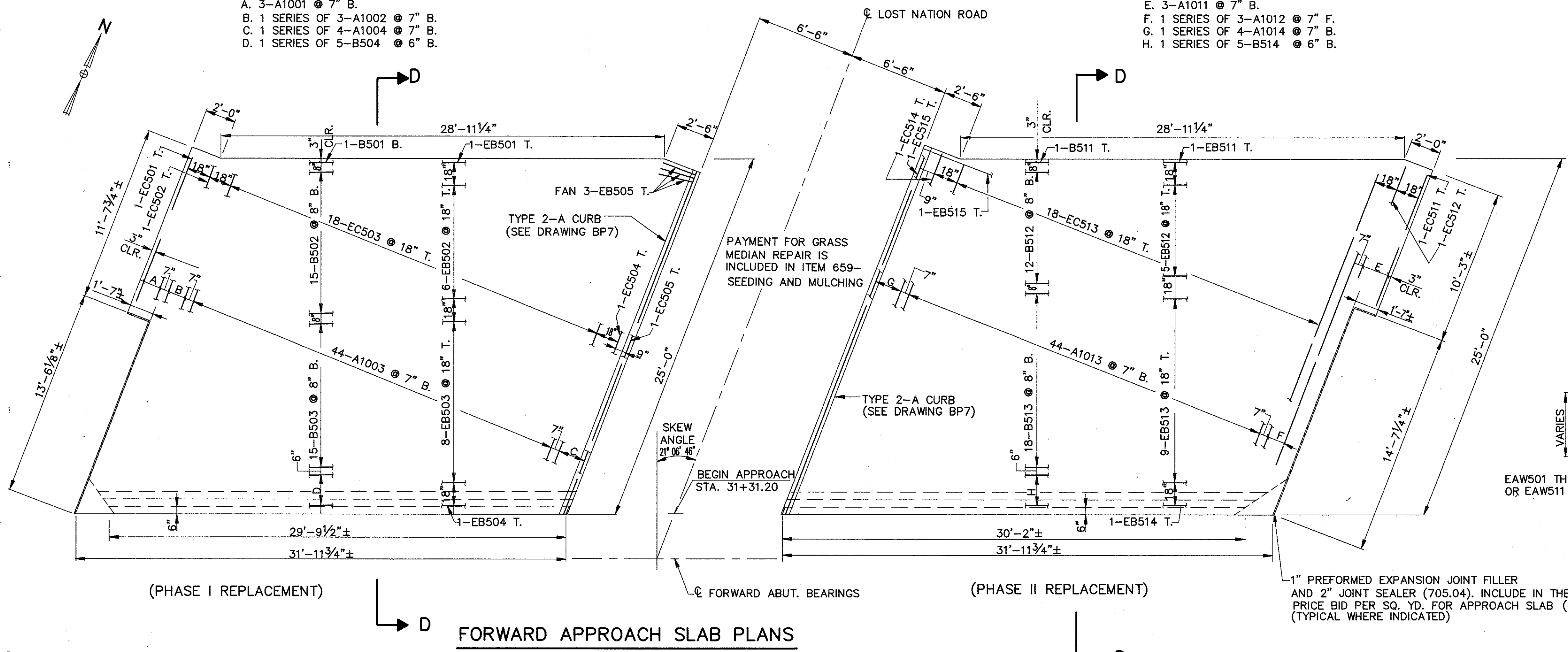


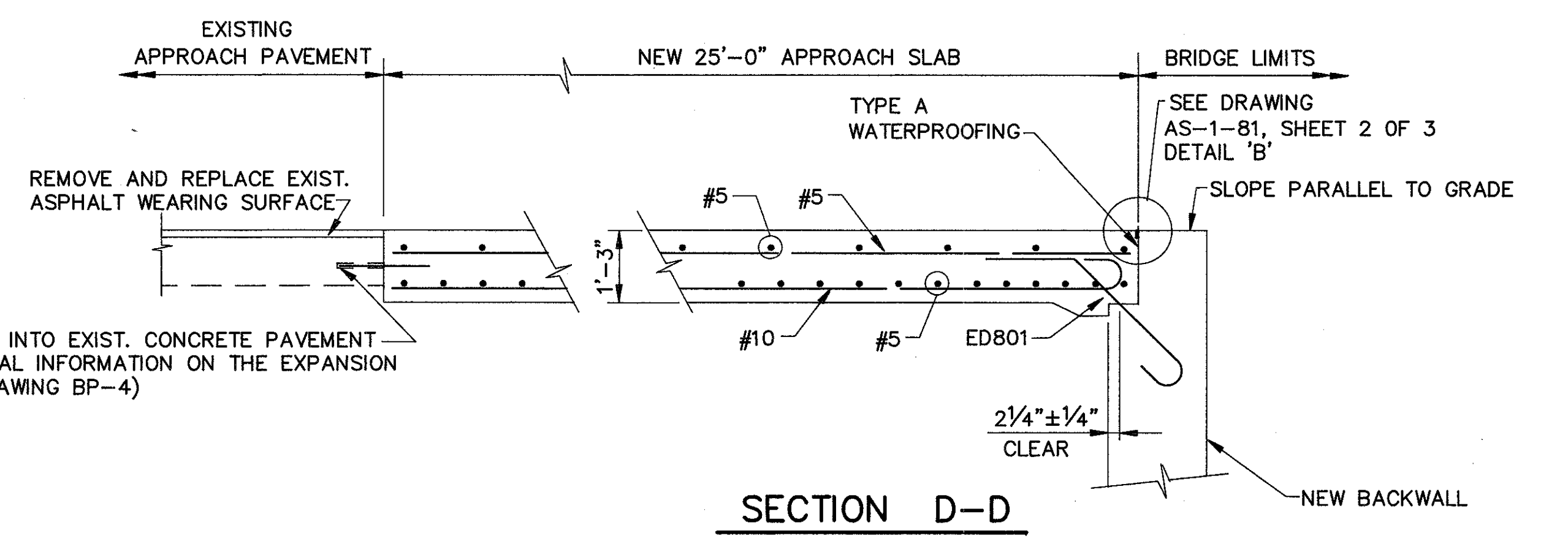
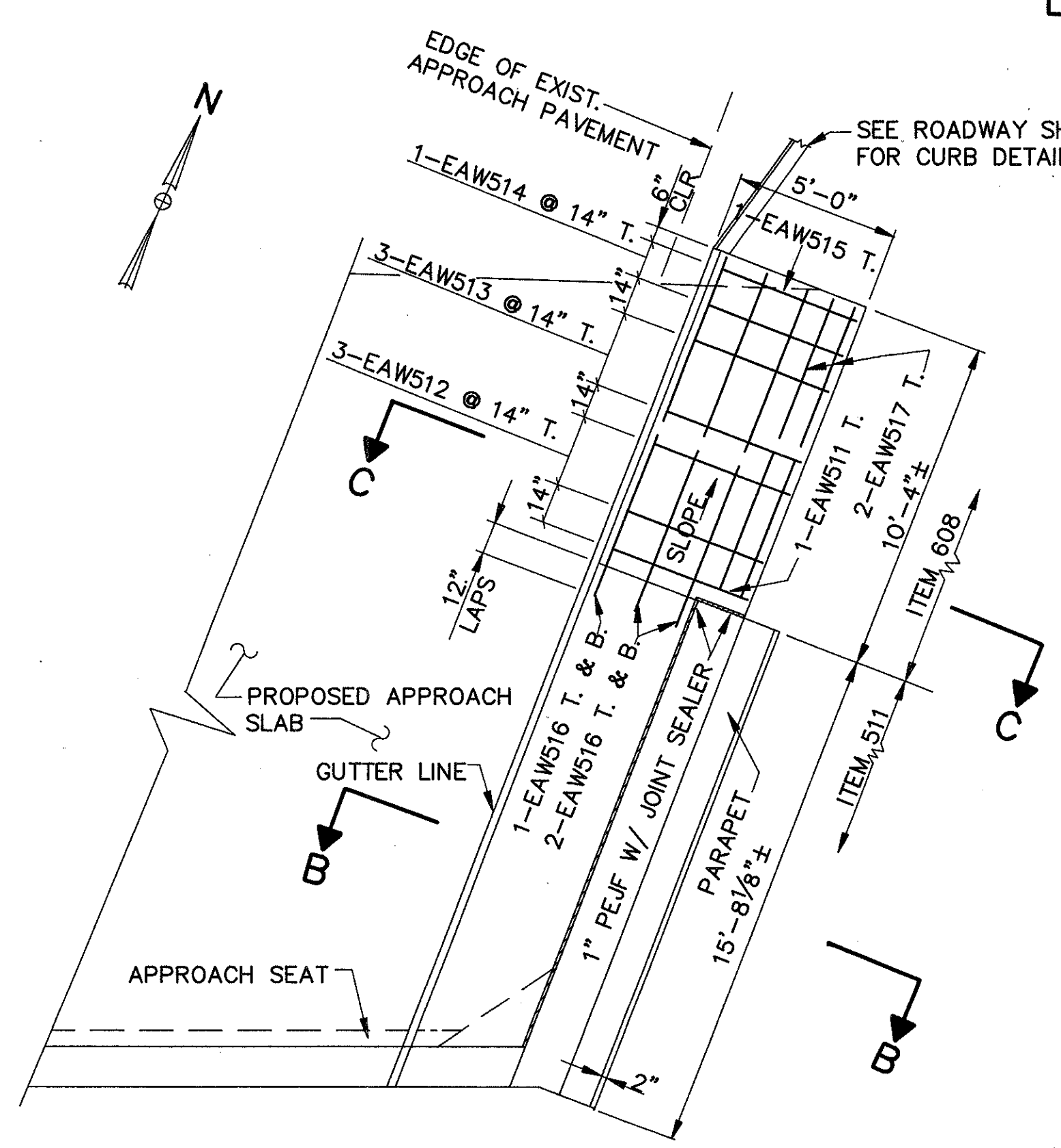
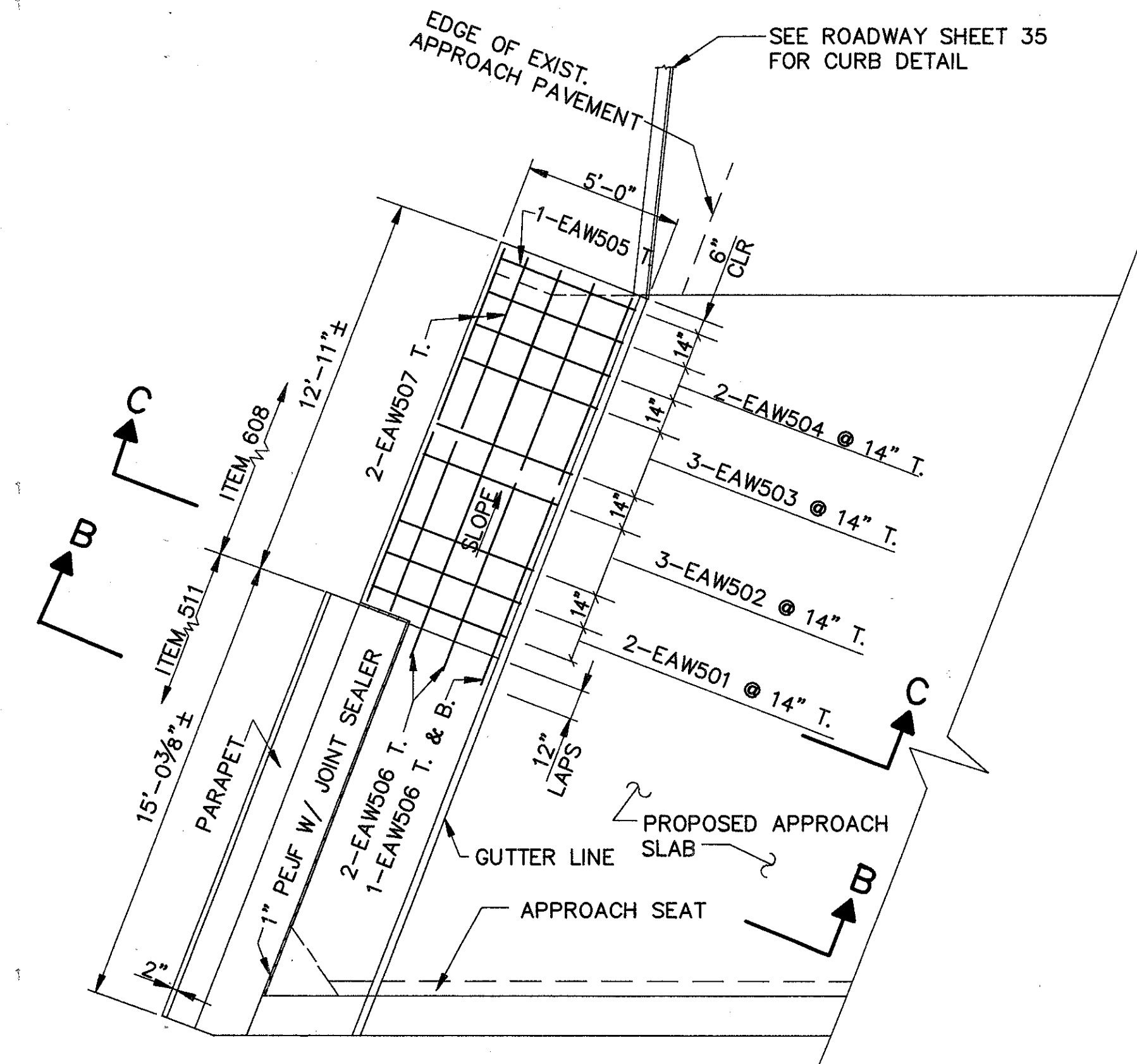
- A. 3-A1001 @ 7" B.
- B. 1 SERIES OF 3-A1002 @ 7" B.
- C. 1 SERIES OF 4-A1004 @ 7" B.
- D. 1 SERIES OF 5-B504 @ 6" B.

- E. 3-A1011 @ 7" B.
- F. 1 SERIES OF 3-A1012 @ 7" F.
- G. 1 SERIES OF 4-A1014 @ 7" B.
- H. 1 SERIES OF 5-B514 @ 6" B.



1" PREFORMED EXPANSION JOINT FILLER AND 2" JOINT SEALER (705.04). INCLUDE IN THE PRICE BID PER SQ. YD. FOR APPROACH SLAB (ITEM 611). (TYPICAL WHERE INDICATED)

FORWARD APPROACH SLAB PLANS



NOTES: FOR SECTION B-B, SEE SHEET 47/78.
 FOR ADDITIONAL INFORMATION SEE DRAWING AS-1-81 SHEETS 1 & 2 OF 3.
 NOTATION : T. - TOP OF SLAB, B. - BOTTOM OF SLAB, CLR.-CLEAR
 EXIST. - EXISTING, PEJF - PREFORMED EXPANSION JOINT FILLER

COLPETZER-THOMAS, INC. AN ENGINEERING GROUP <small>WILLOUGHBY • MENTOR • NORTH CANTON • STEUBENVILLE • LORAIN</small>					
57/78					
FORWARD APPROACH SLAB DETAILS BRIDGE NO. LAK-2-0542 S.R.2 UNDER LOST NATION ROAD LAKE COUNTY					
DESIGNED	DRAWN	TRACED	CHECKED	REVIEWED	DATE
J.P.R.	M.T.W.	M.T.W.	R.J.C.	J.E.A.	11/15/88