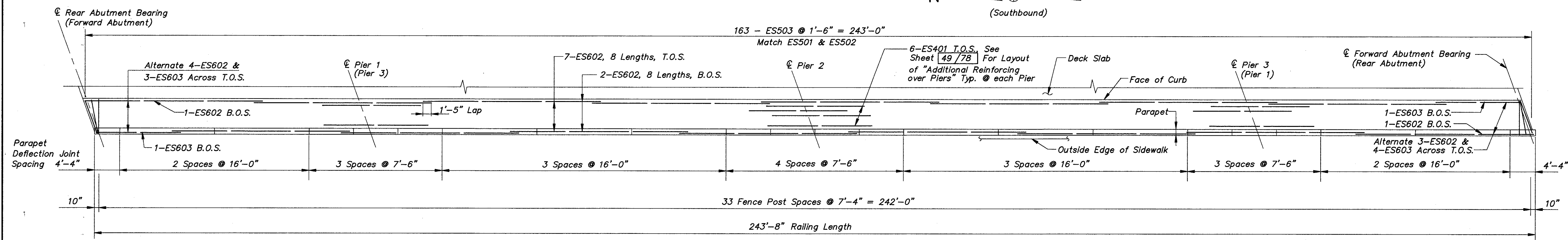
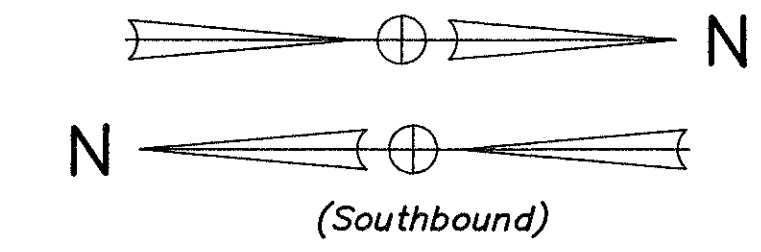
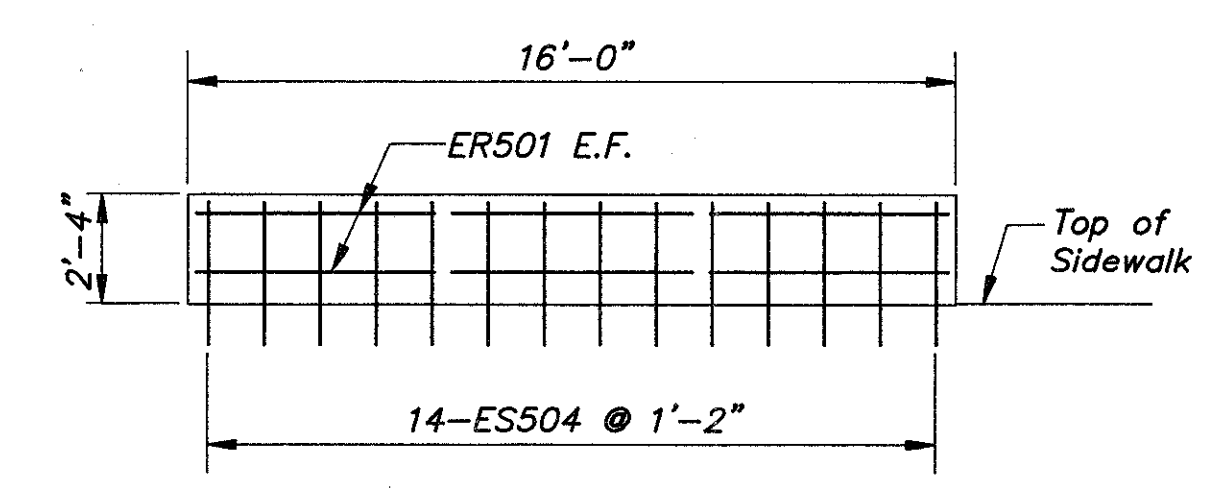


HALF MEDIAN PLAN
Northbound Shown (Southbound as Noted)
Reinforcement shown is Above Construction Joint
See Median Detail on Sheet 48/78

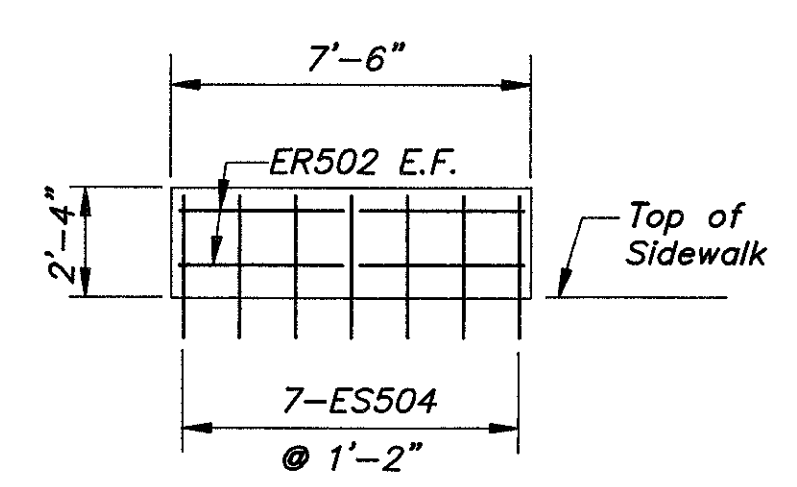


SIDEWALK AND PARAPET PLAN
Northbound Shown (Southbound as Noted)
Reinforcement Shown is Above Construction Joint
See Curb and Parapet Detail on Sheet 48/78

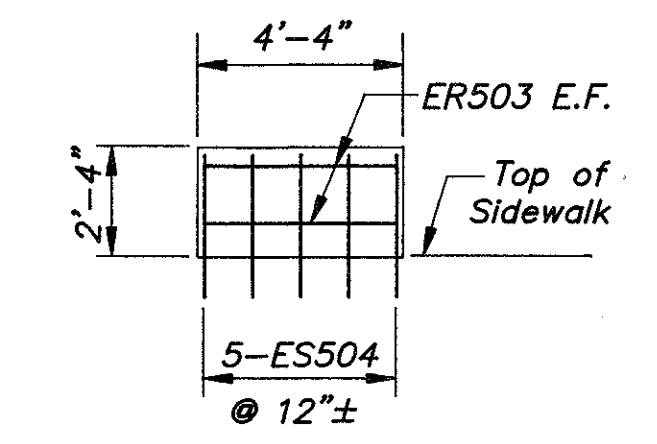
For Expansion Joints at Sidewalk See Sheet 52/78
For Expansion Joints at Median See Sheet 53/78 and 54/78



TYPICAL 16'-0" PARAPET PANEL
ELEVATION VIEW



TYPICAL 7'-6" PARAPET PANEL
ELEVATION VIEW



TYPICAL END PARAPET PANEL
ELEVATION VIEW

Notation: T.O.S.—Top of Slab, B.O.S.—Bottom of Slab, E.F.—Each Face, Typ.—Typical.

CT COLPETZER-THOMAS, INC. AN ENGINEERING GROUP WILLOUGHBY • MENTOR • NORTH CANTON • STEUBENVILLE • LORAIN						50/78
SUPERSTRUCTURE BRIDGE NO. LAK-2-0542 S.R.2 UNDER LOST NATION ROAD LAKE COUNTY						
DESIGNED	DRAWN	TRACED	CHECKED	REVIEWED	DATE	REVISED
J.P.R.	R.L.B.	R.L.B.	R.J.C.	J.E.A.	11/15/88	