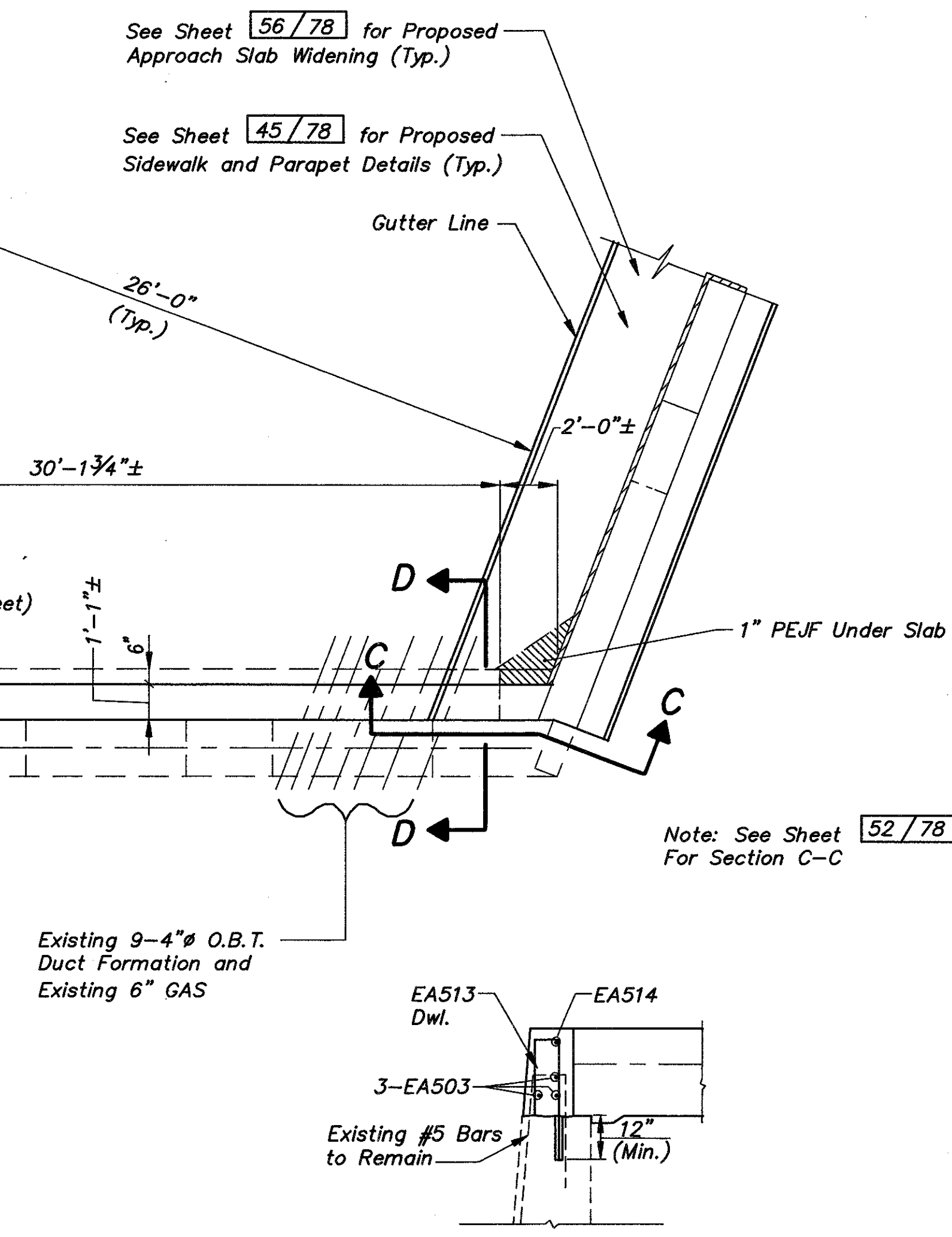
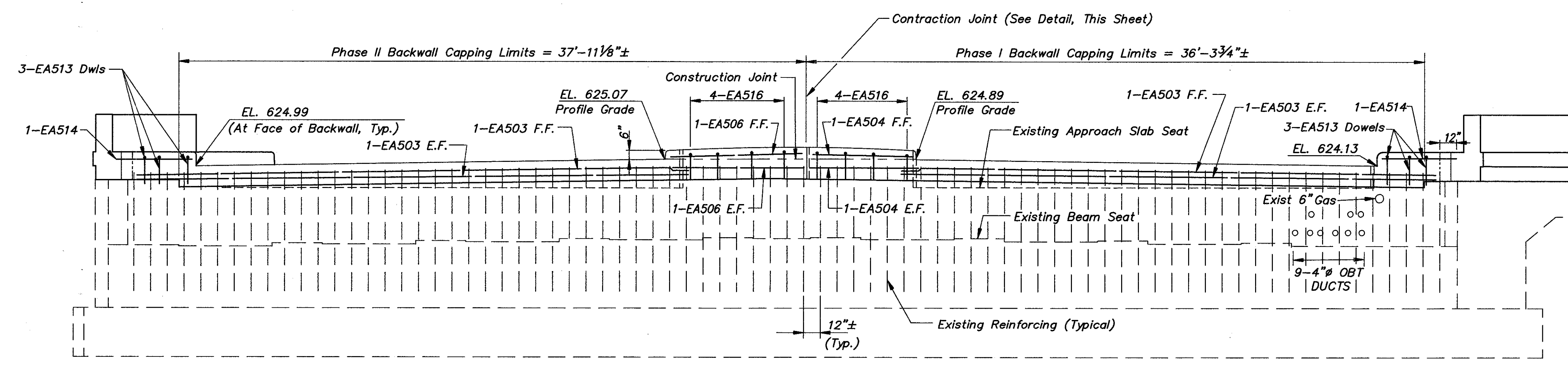


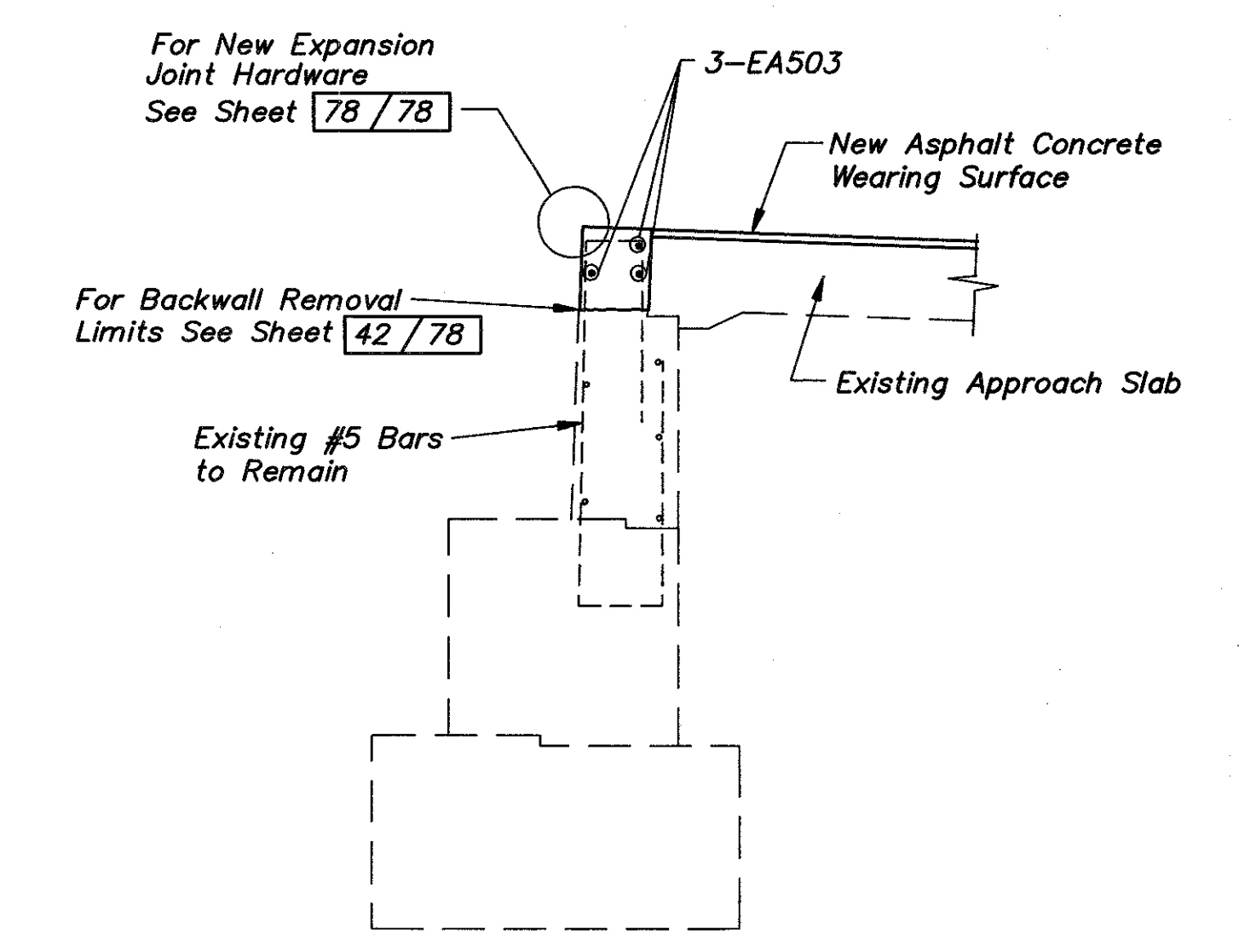
PLAN
ABUTMENT BACKWALL CAPPING



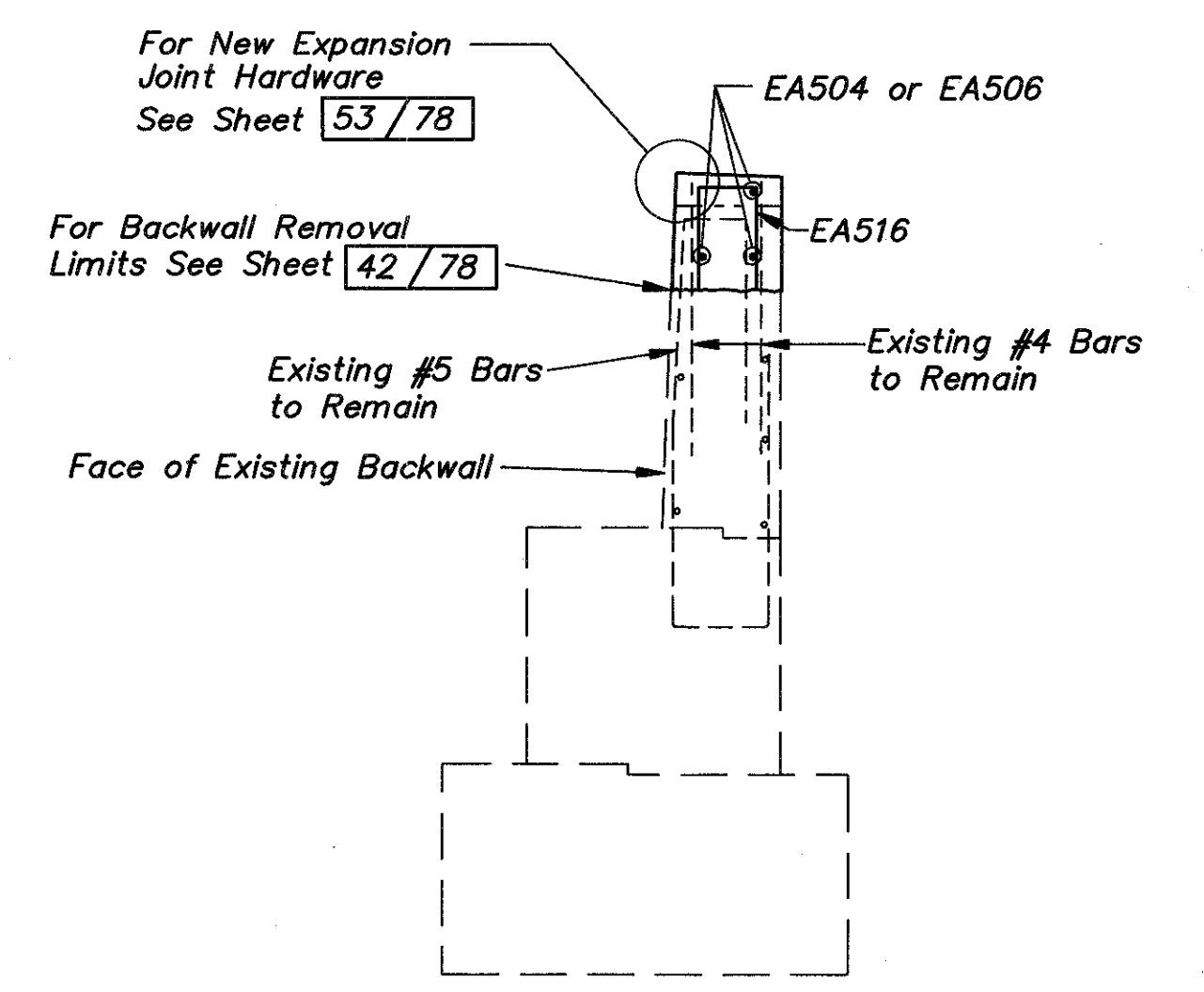
SECTION D-D



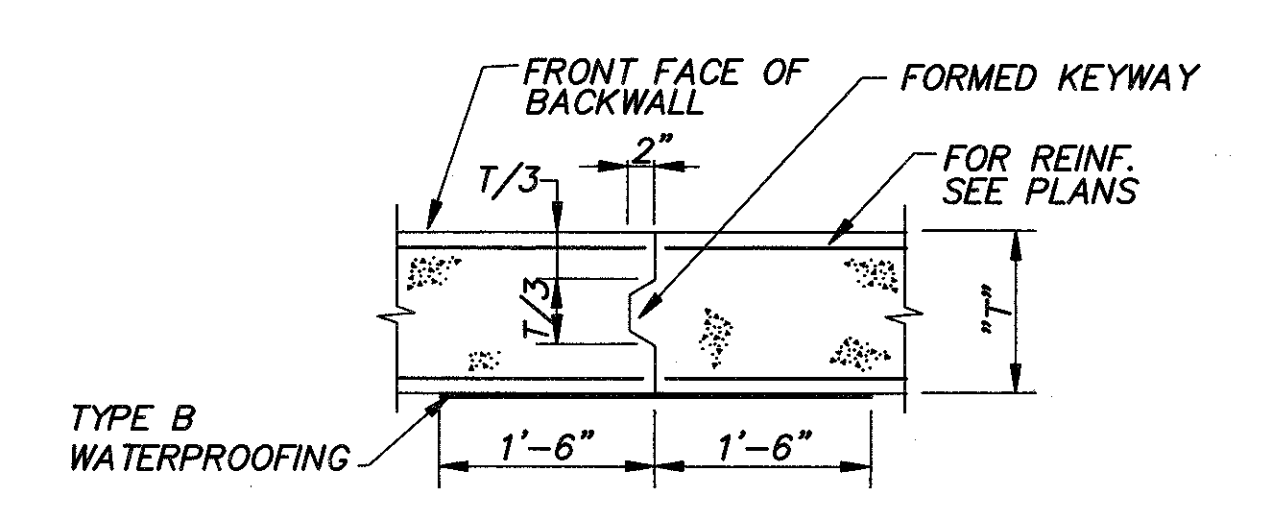
ELEVATION
ABUTMENT BACKWALL CAPPING



SECTION A - A



SECTION B - B



BACKWALL CONTRACTION JOINT
Notation: E.F.—Each Face, F.F.—Far Face
O.B.T. — Ohio Bell Telephone,
Min. — Minimum

CT COLPETZER-THOMAS, INC.
AN ENGINEERING GROUP
MILWAUKEE • MENTOR • NORTH CANTON • STEUBENVILLE • LORAIN 43/78

REAR ABUTMENT
BRIDGE NO. LAK-2-0542
S.R. 2 UNDER LOST NATION ROAD
LAKE COUNTY

DESIGNED	DRAWN	TRACED	CHECKED	REVIEWED	DATE	REVISED
J.P.R.	M.T.W.	M.T.W.	R.J.C.	J.E.A.	11/15/88	