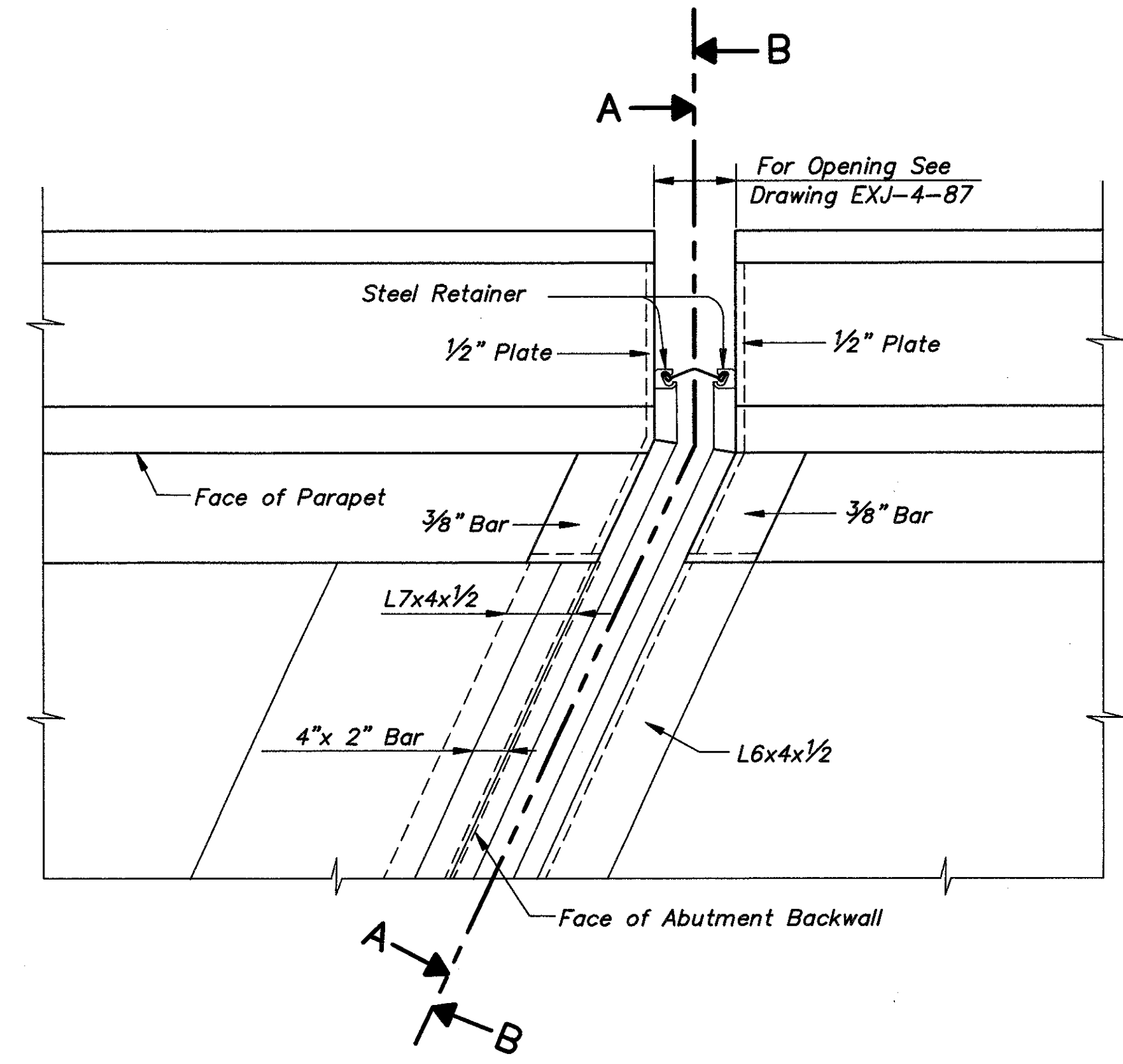
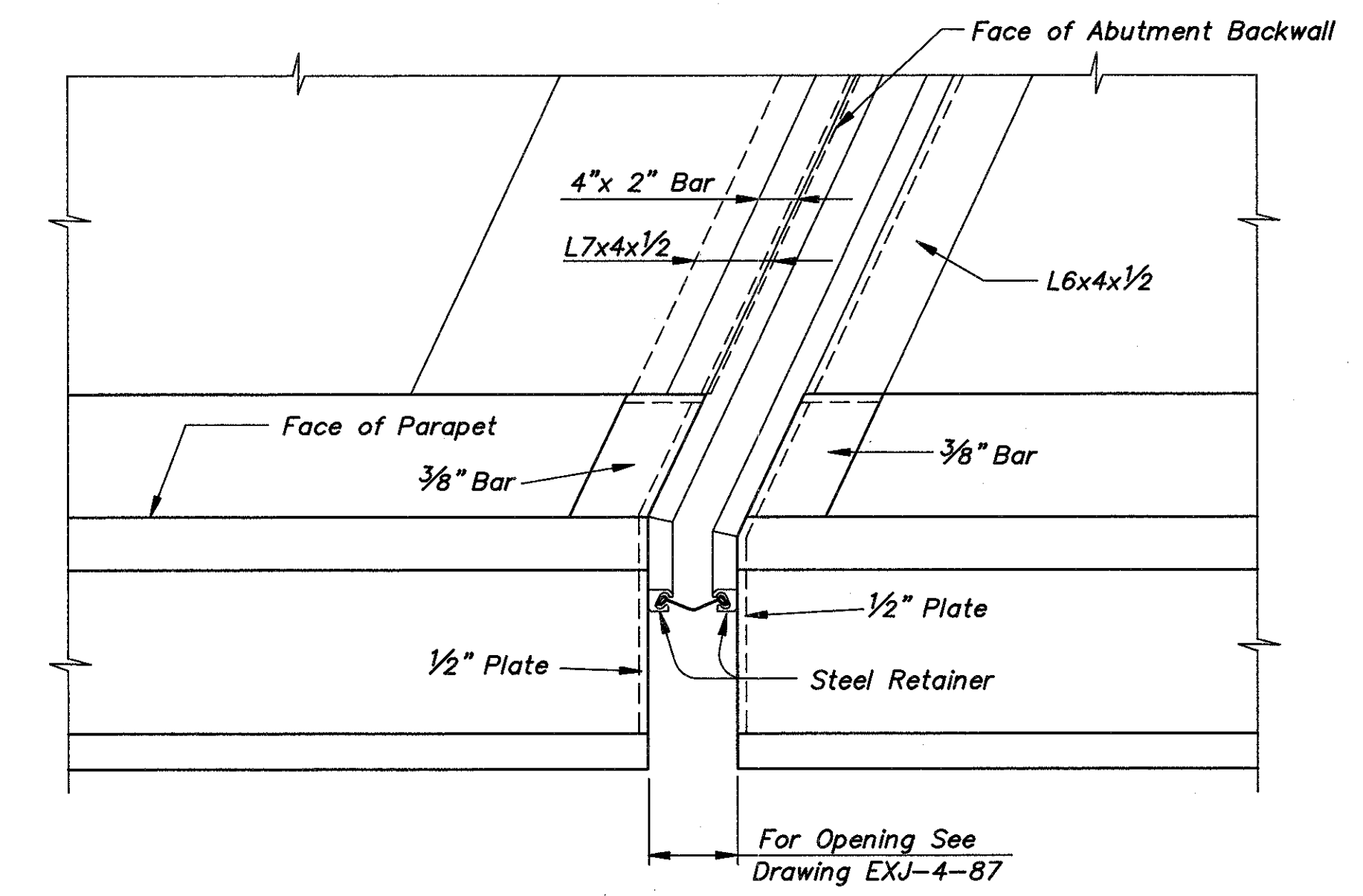


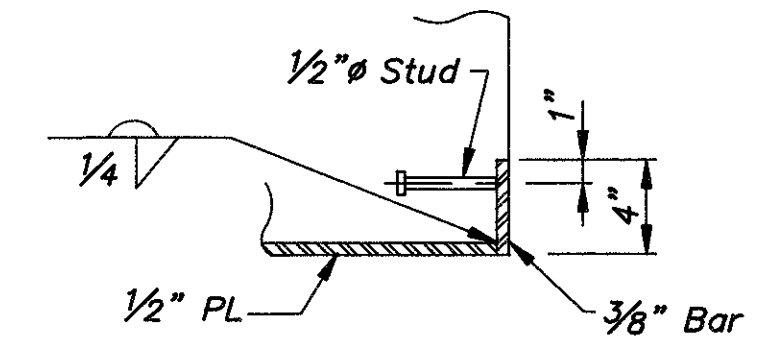
PLAN AT ABUTMENT



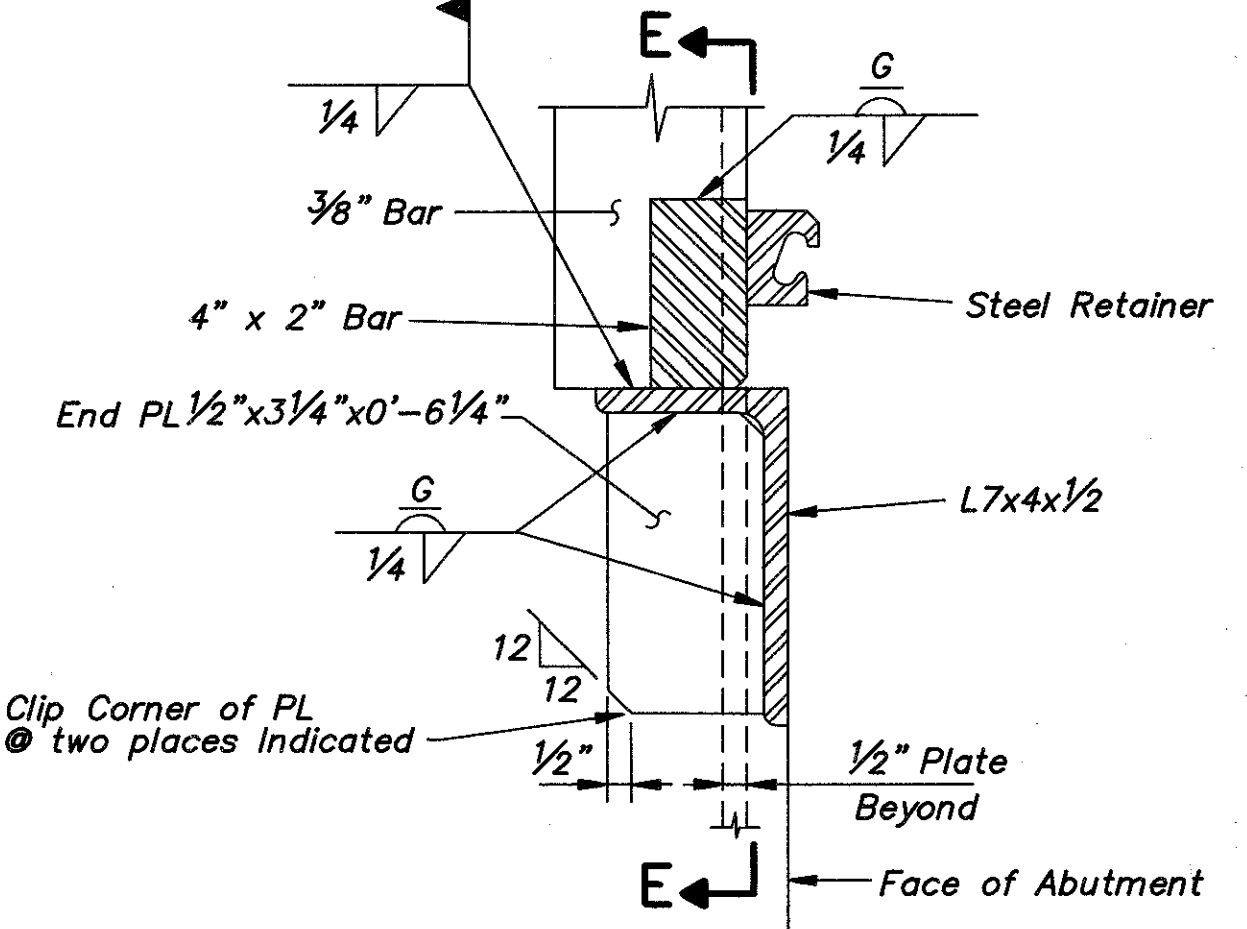
DETAIL "A"



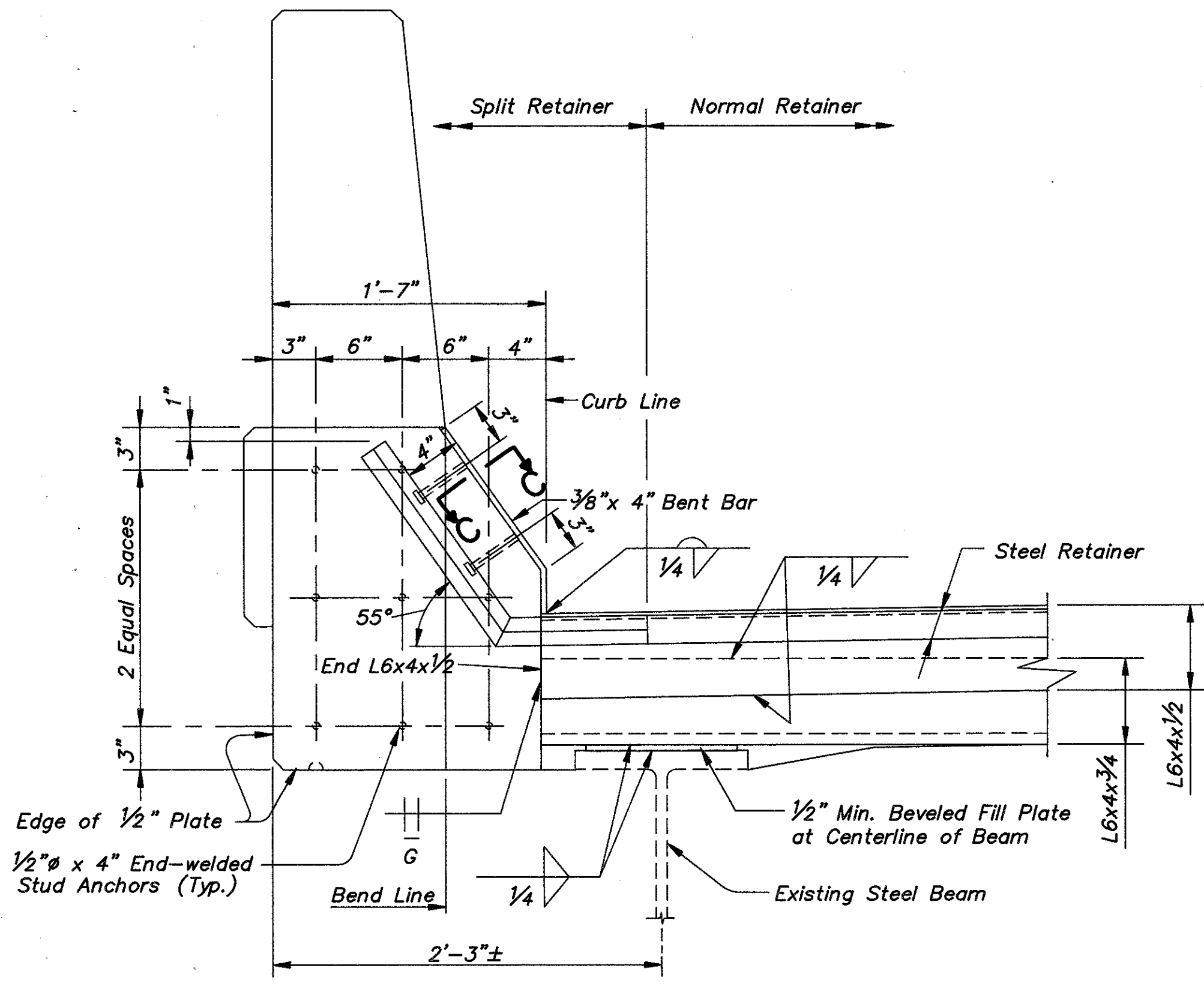
DETAIL "B"



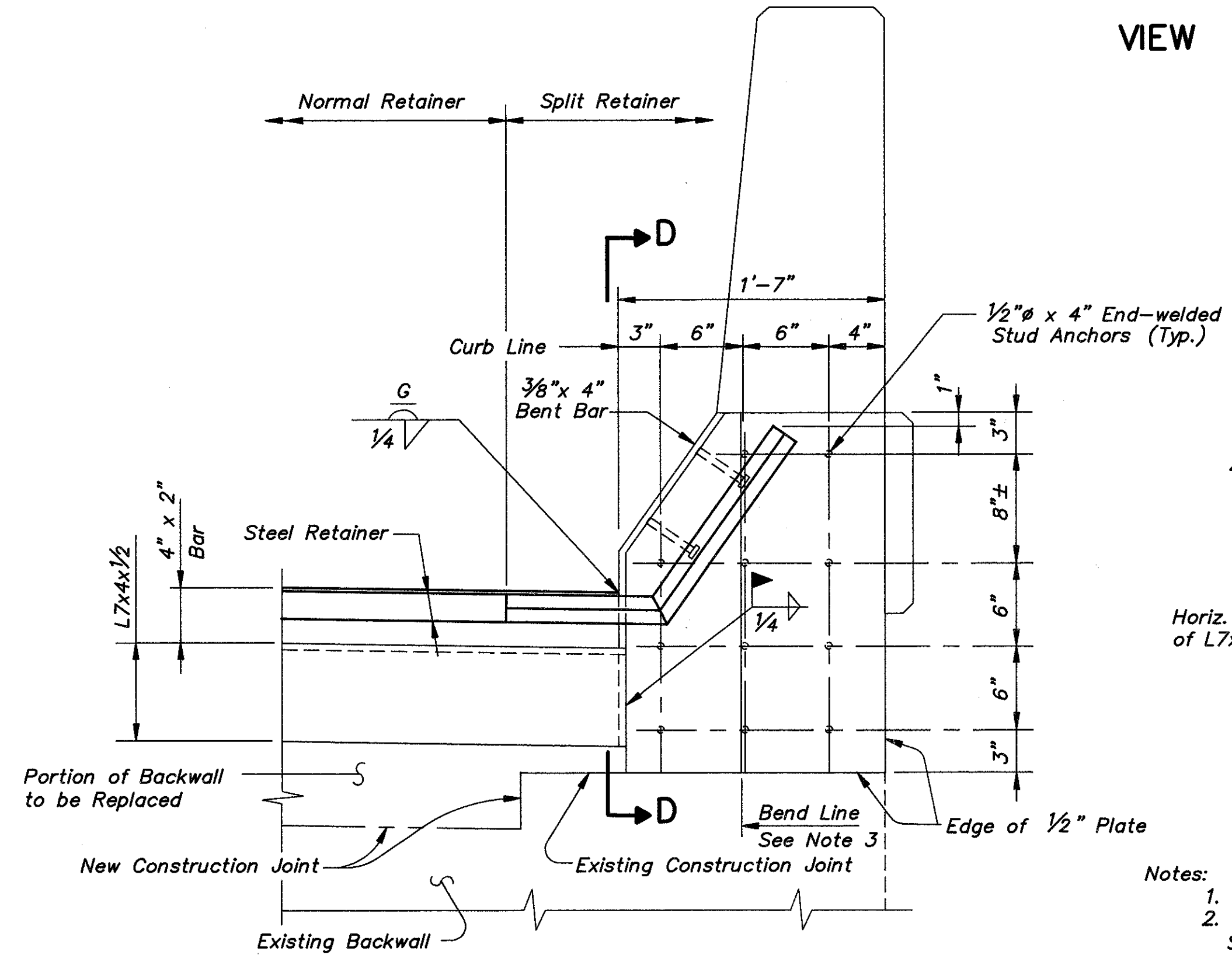
VIEW C-C



VIEW D-D



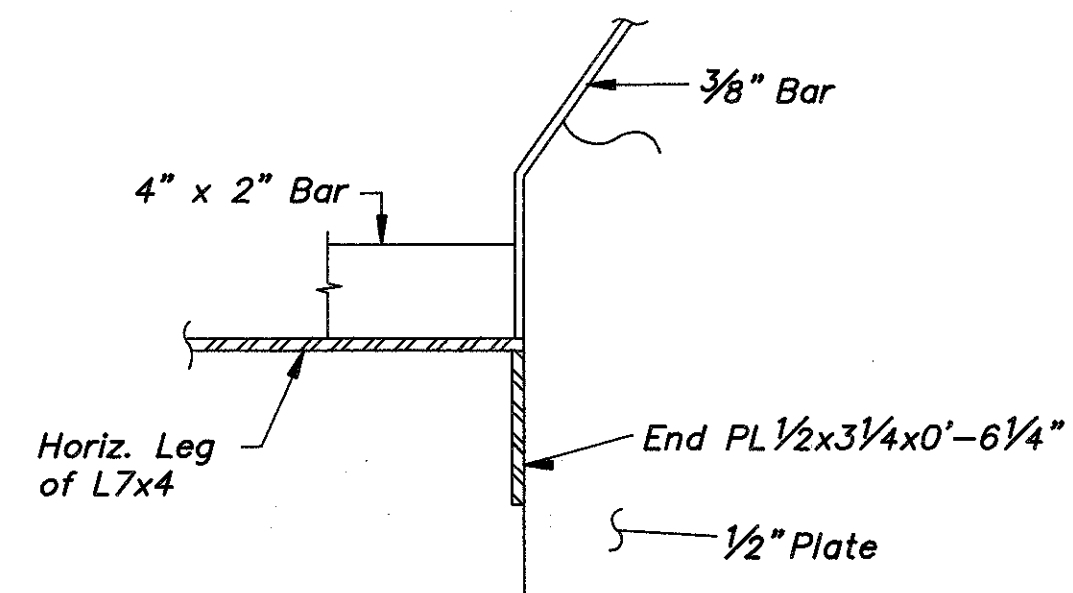
SECTION A-A



SECTION B-B

See Section A-A for Additional Information not Shown Here.

- Notes:
1. Notation: Typ. - Typical, Horiz. - Horizontal.
 2. For Location of Bend Lines on Deck Slab See Sheet 15/78 or 32/78.
 3. For Location of Bend Lines on Abutment, See Sheet 10/78 and 11/78 or 27/78 and 28/78.



VIEW E-E

COLPETZER-THOMAS, INC.
AN ENGINEERING GROUP
WILLOUGHBY • MENTOR • NORTH CANTON • STEUBENVILLE • LORAIN

EXPANSION JOINT DETAILS
BRIDGE NO. LAK-2-0180 L & R
AND LAK-2-0363 L & R
LAKE COUNTY

DESIGNED	DRAWN	TRACED	CHECKED	REVIEWED	DATE	REVISED
J.E.A.	R.L.B.	R.L.B.	J.P.R.	R.J.C.	11/15/88	