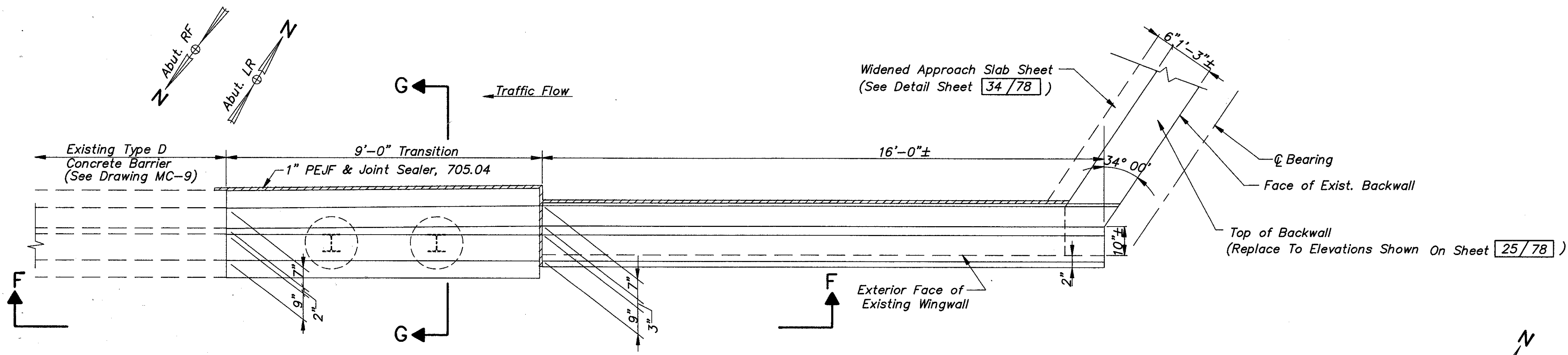
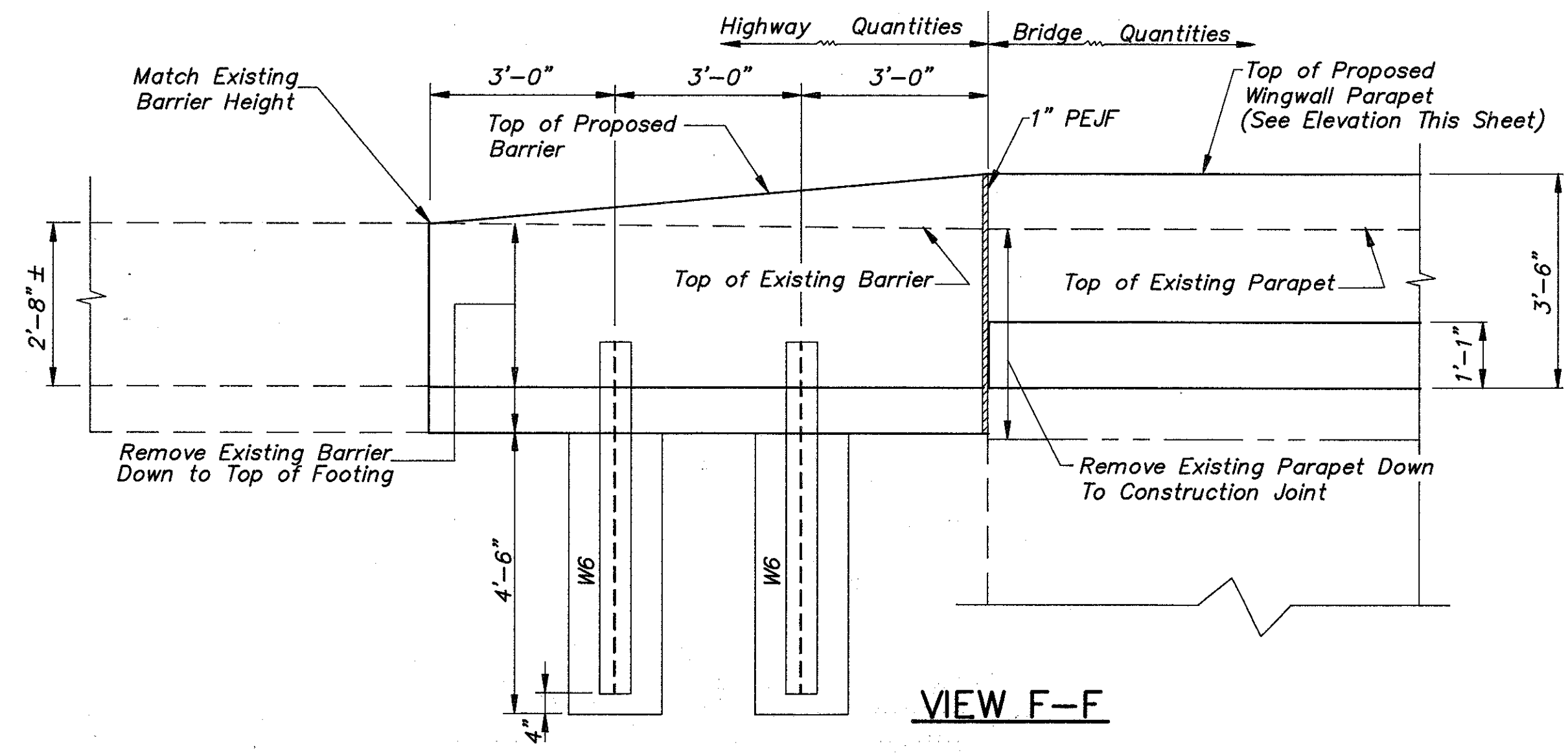


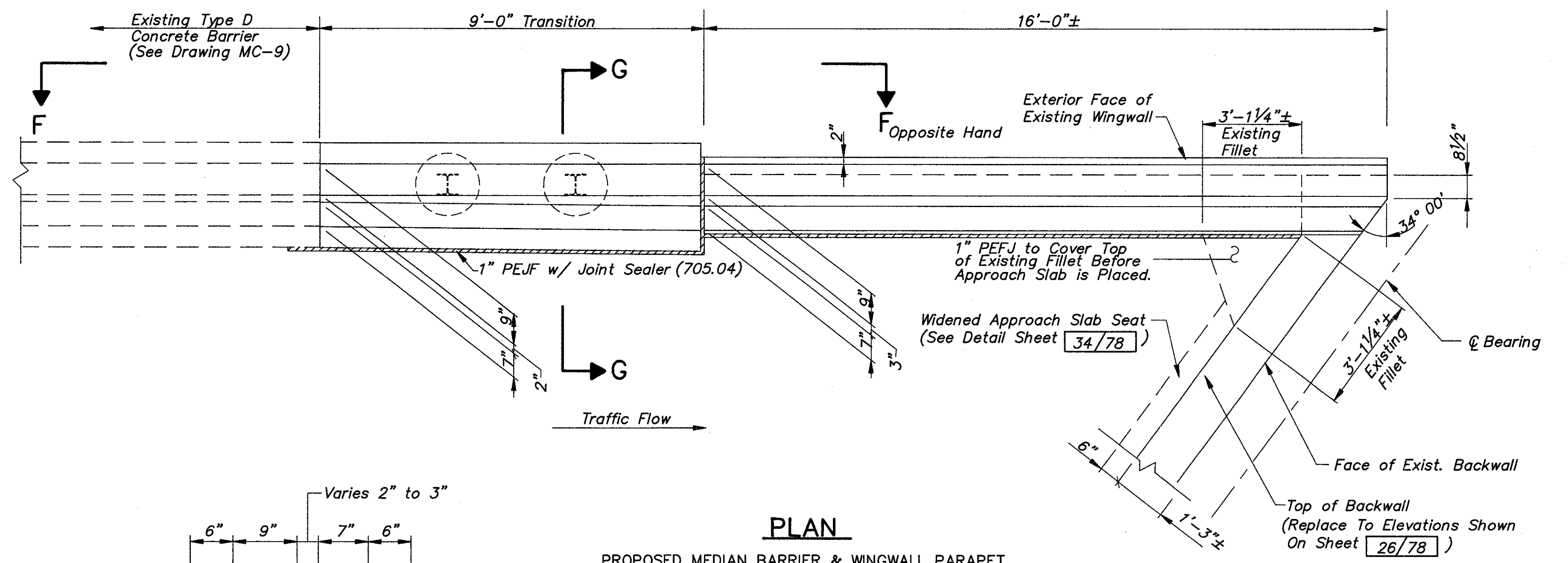
BRIDGE	REAR ABUTMENT LOCATION		FORWARD ABUTMENT LOCATION	
	E	F	E	F
LAK-2-0363 L	648.17±	648.28±	648.93±	648.88±
LAK-2-0363 R	648.07±	648.18±	648.90±	648.85±



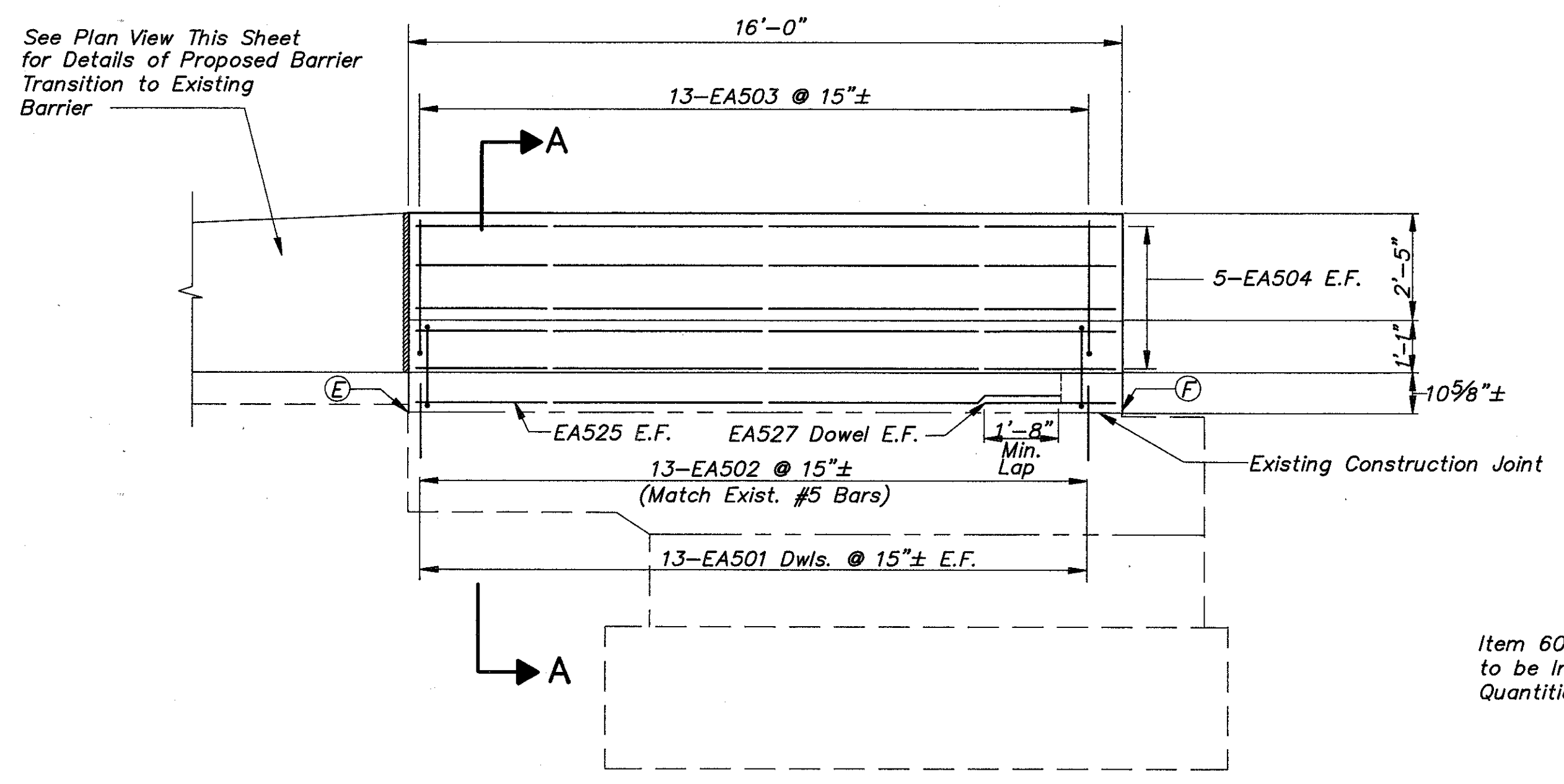
**PLAN**  
PROPOSED MEDIAN BARRIER & WINGWALL PARAPET  
( TYPICAL AT ABUTMENTS LR & RF )



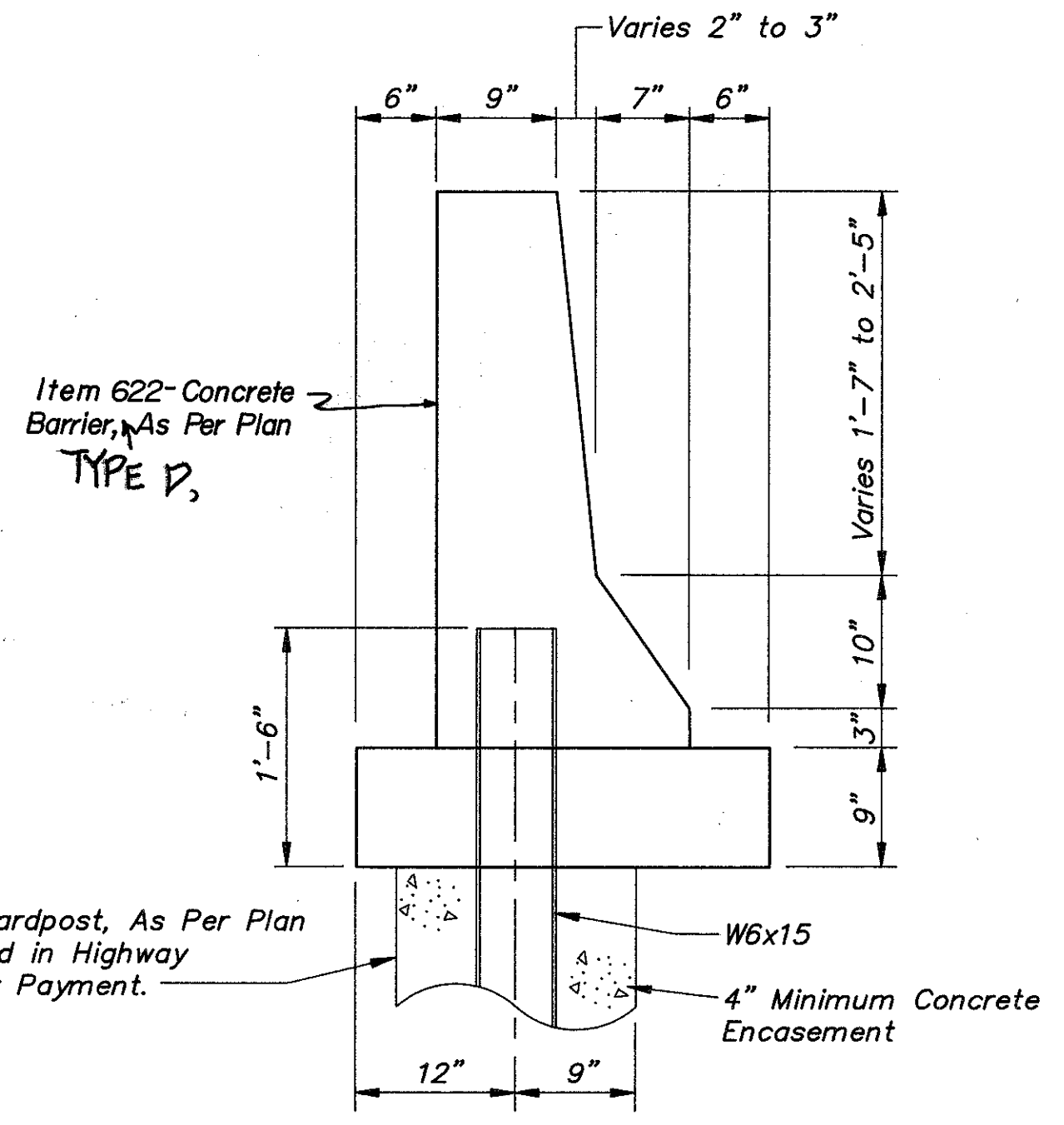
**VIEW F-F**



**PLAN**  
PROPOSED MEDIAN BARRIER & WINGWALL PARAPET  
( TYPICAL AT ABUTMENT RR & LF )



**ELEVATION**  
PROPOSED PARAPET ON MEDIAN WINGWALL  
( TYPICAL AT ALL ABUTMENTS )



**SECTION G-G**

- Notes:
1. Median Wingwalls Are Adjacent to the Left Driving Lanes.
  2. For Section A-A, See Sheet 29/78.
  3. For Abutment Locations, See General Plan on Sheet 20/78.
  4. Notation: N.F. - Near Face, F.F. - Far Face, E.F. - Each Face.  
PEJF - Preformed Expansion Joint Filler  
LR - Left Rear Abut.  
LF - Left Forward Abut.  
RR - Right Rear Abut.  
RF - Right Forward Abut.  
Abut. - Abutment, Exist. - Existing, Dws. - Dowels

<b>COLPETZER-THOMAS, INC.</b> AN ENGINEERING GROUP		28/78
WINGWALL DETAILS		
BRIDGE NO. LAK-2-0363 L & R		
OVER BEIDLER ROAD		
LAKE COUNTY		
DESIGNED	DRAWN	TRACED
J.P.R.	M.T.W.	M.T.W.
CHECKED	REVIEWED	DATE
R.J.C.	J.E.A.	11/15/88
REVISED		