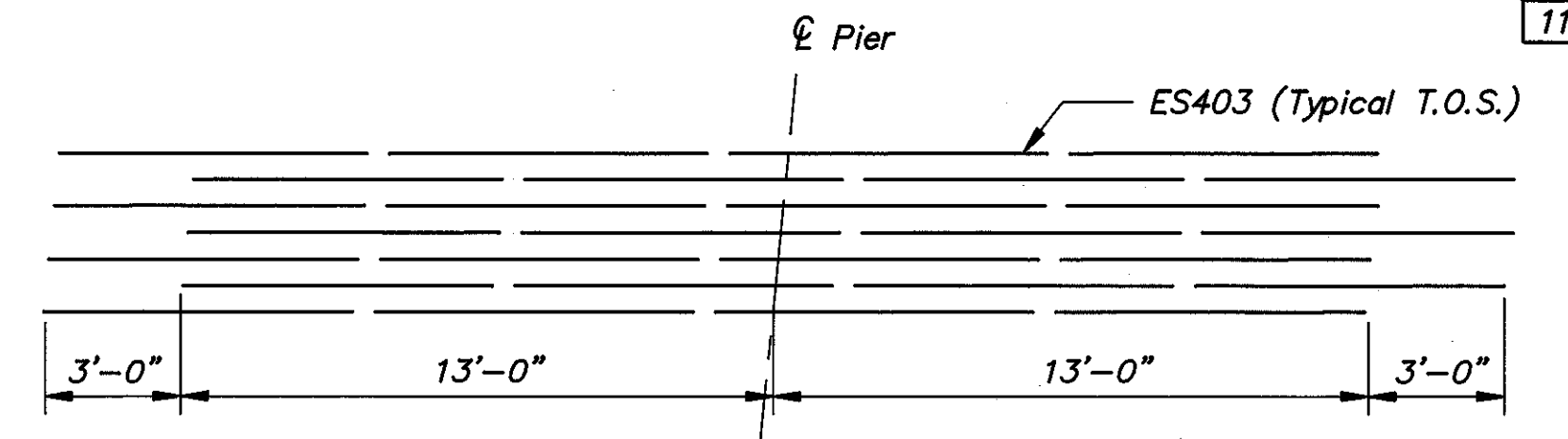
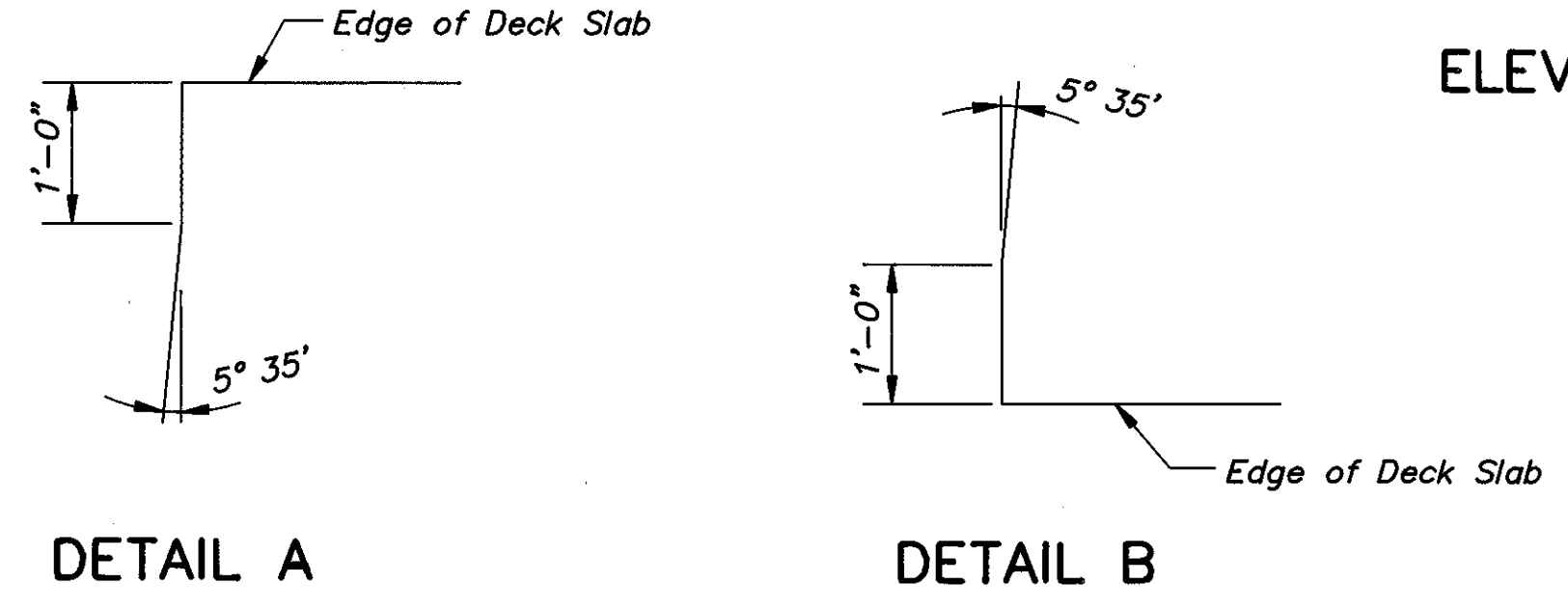
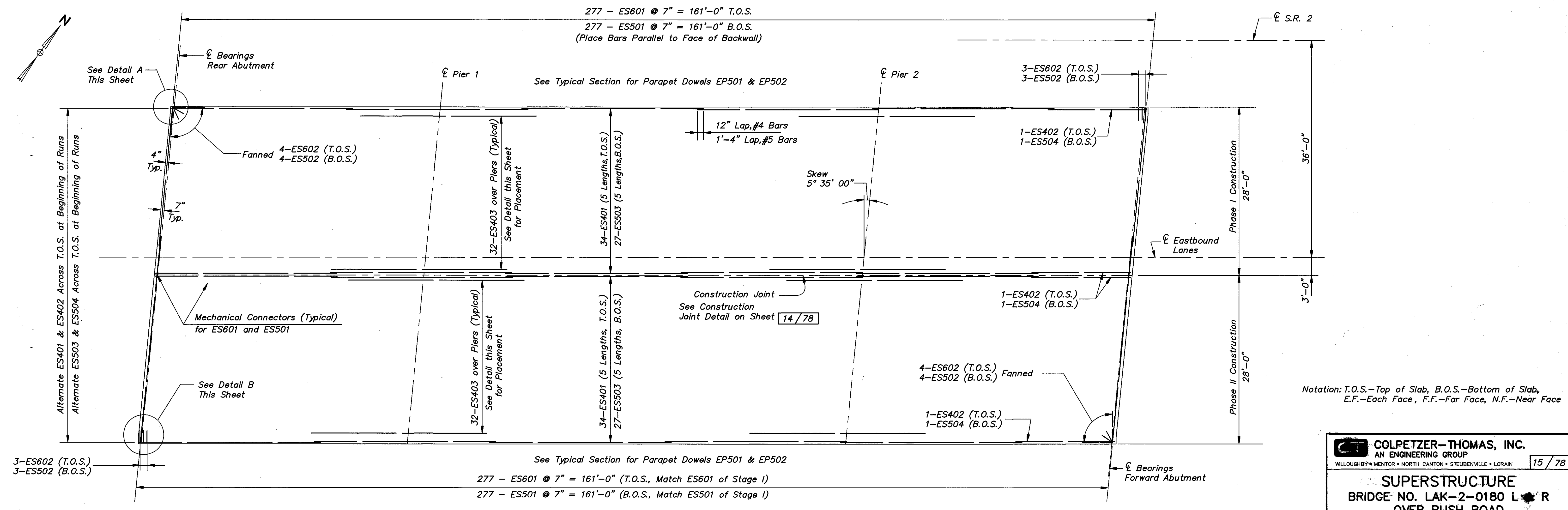


ELEVATION VIEW - PARAPET DEFLECTOR
North Deflector Shown, South Similar



ADDITIONAL REINFORCING OVER PIERS



SLAB REINFORCING PLAN
(Eastbound Lanes Shown, Westbound Lanes Similar)

Notation: T.O.S.—Top of Slab, B.O.S.—Bottom of Slab, E.F.—Each Face, F.F.—Far Face, N.F.—Near Face

Note: For Expansion Joint Details See Sheet 36/78 and 78/78

COLPETZER-THOMAS, INC. AN ENGINEERING GROUP WILLOUGHBY • MENTOR • NORTH CANTON • STEUBENVILLE • LORAIN		15/78				
SUPERSTRUCTURE BRIDGE NO. LAK-2-0180 L & R OVER RUSH ROAD LAKE COUNTY						
DESIGNED	DRAWN	TRACED	CHECKED	REVIEWED	DATE	REVISED
J.P.R.	R.L.B.	R.L.B.	R.J.C.	J.E.A.	11/15/88	