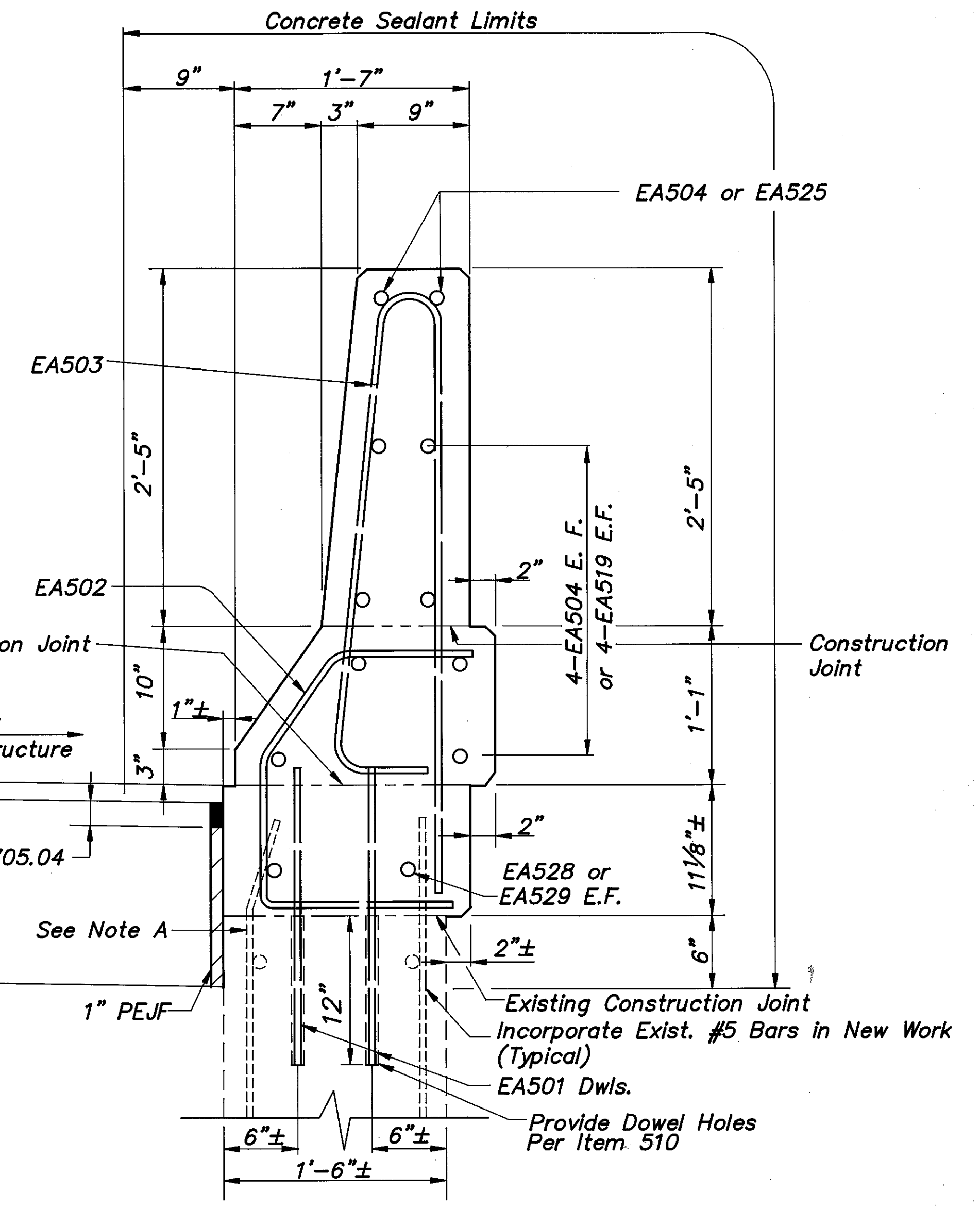
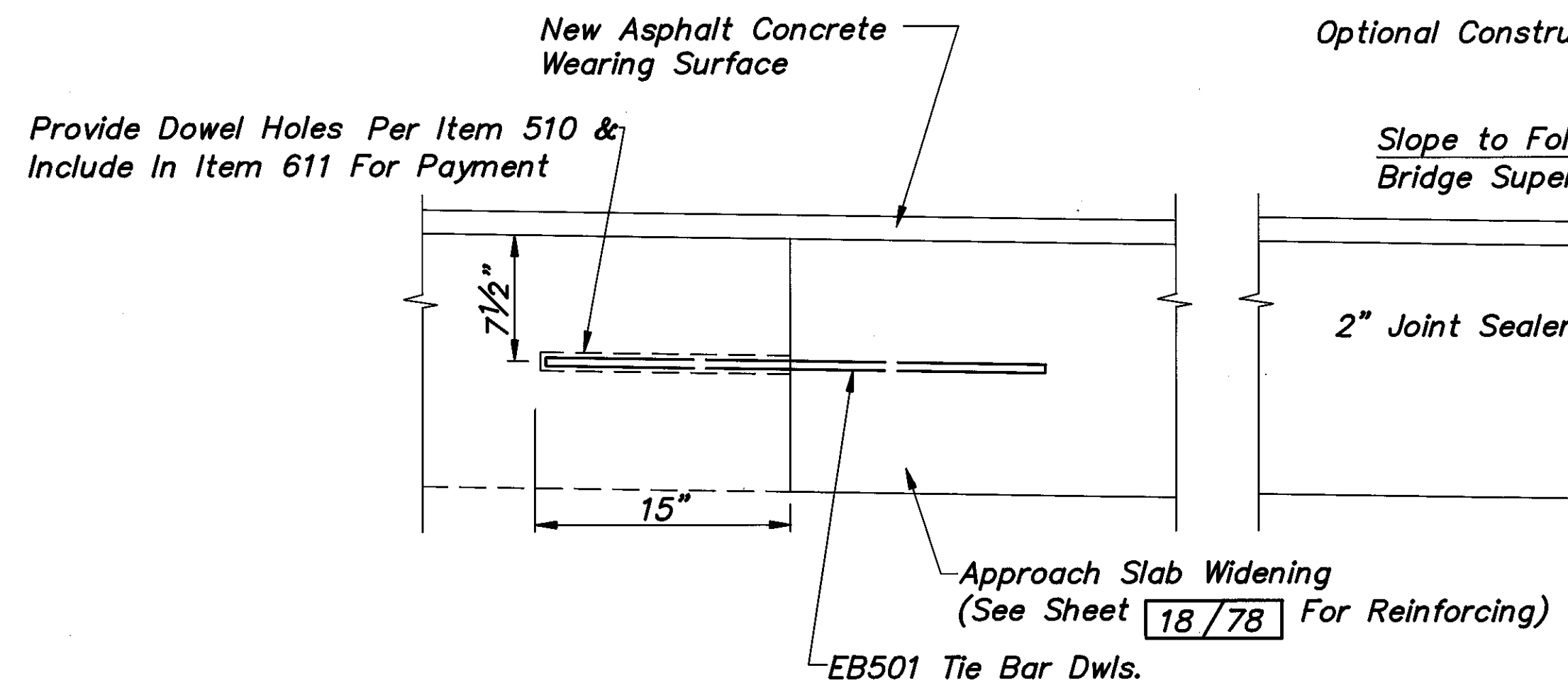


EXISTING WINGWALL
PROPOSED REMOVAL



SECTION A-A
PROPOSED WINGWALL PARAPET

Note A: Bend These Exist. #5 Bars in the Field to Achieve a Bar-to-Bar Lap. Cost of Field Bending is Included in Item 509 for Payment

Notation: Dwls. - Dowels, E.F. - Each Face, Exist. - Existing, PEJF - Prefomed Expansion Joint filler

COLPETZER-THOMAS, INC. AN ENGINEERING GROUP WILLOUGHBY • MENTOR • NORTH CANTON • STEUBENVILLE • LORAIN						12/78
WINGWALL SECTIONS BRIDGE NO. LAK-2-0180 L & R OVER BUSH ROAD LAKE COUNTY						
DESIGNED	DRAWN	TRACED	CHECKED	REVIEWED	DATE	REVISED
J.P.R.	R.L.B. M.T.W.	R.L.B. M.T.W.	R.J.C.	J.E.A.	11/15/88	