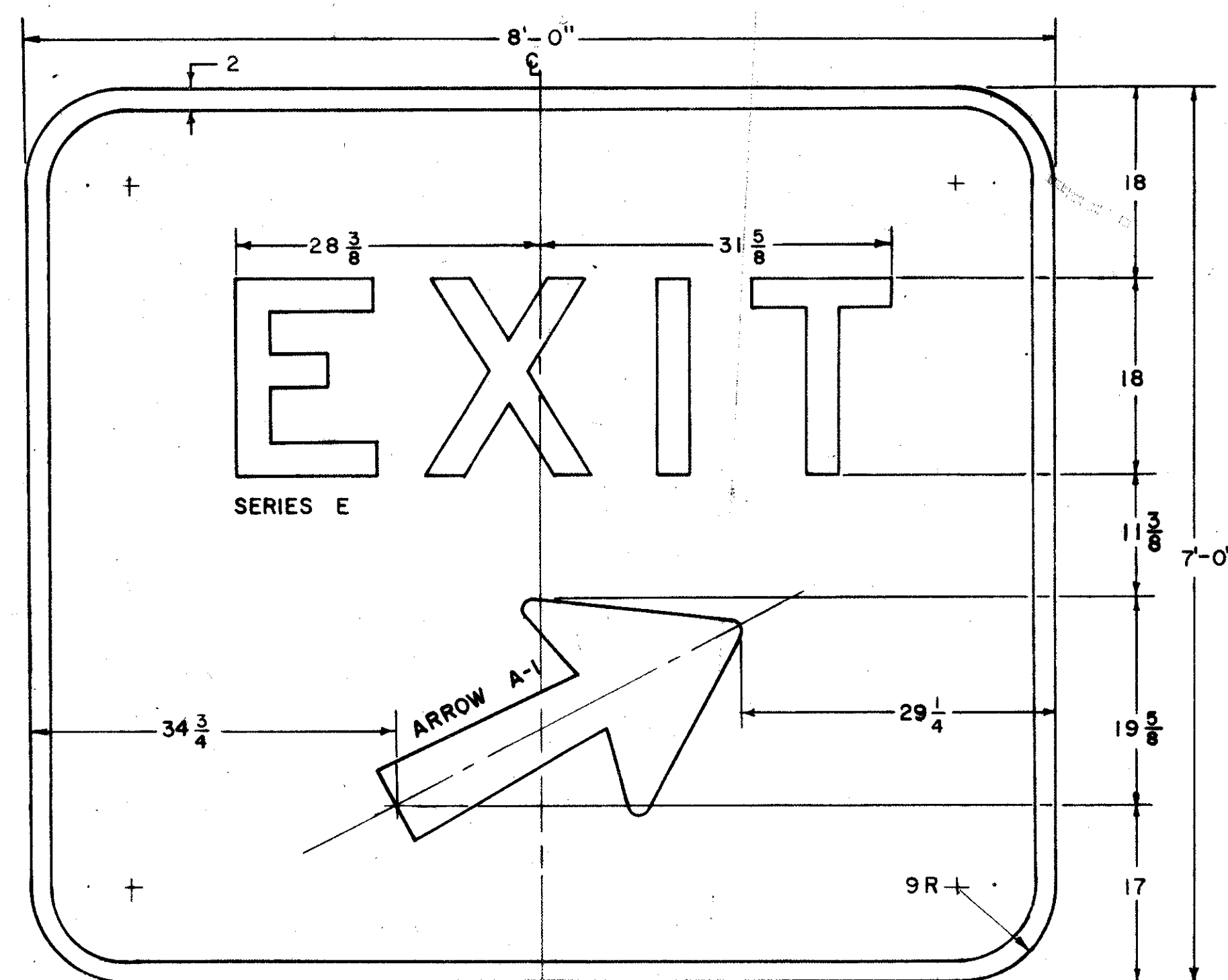


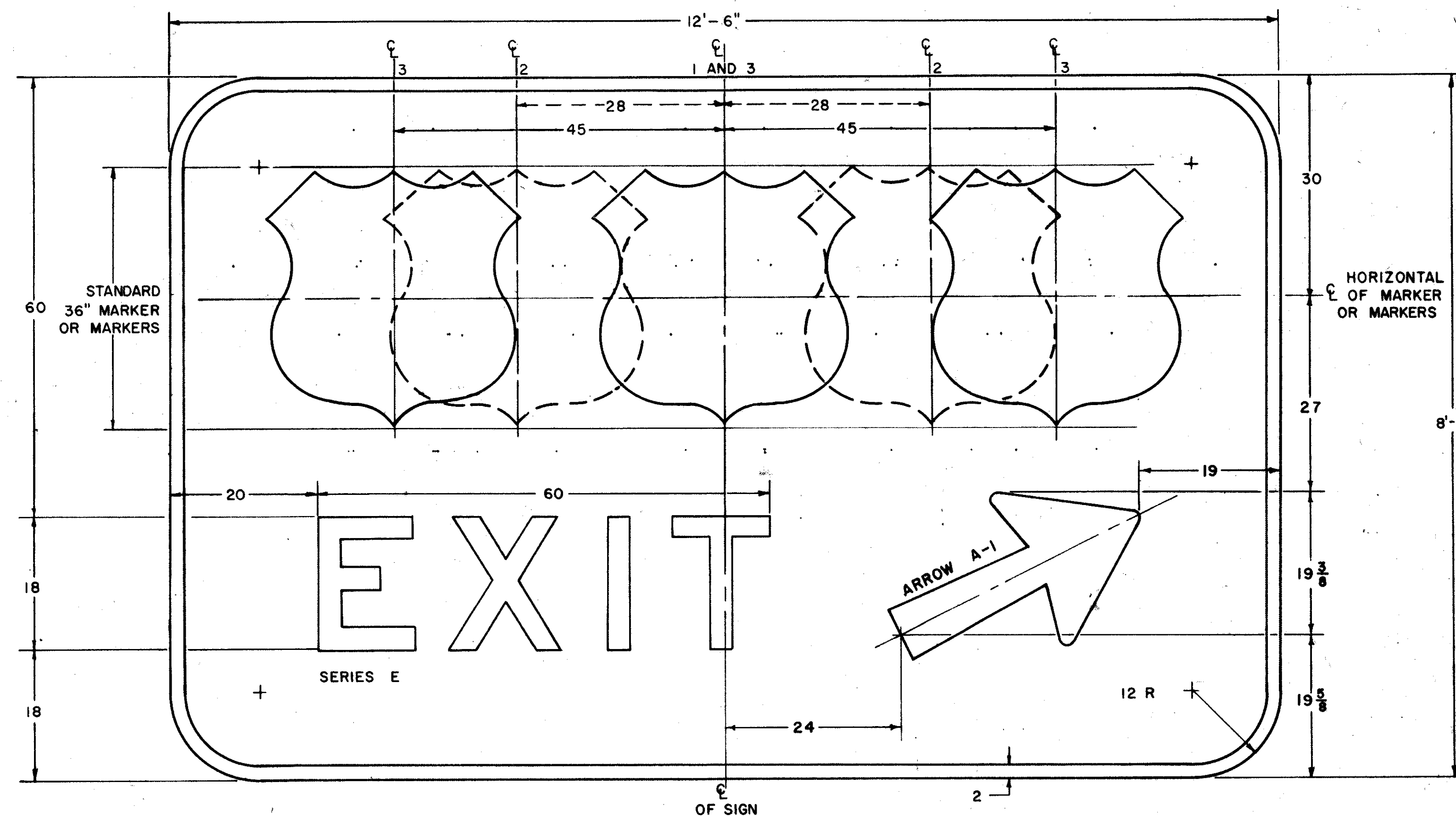
N-12-72
(* LEFT OR RIGHT)

NOTES:
* ROTATE GIVEN DESIGN 180° ABOUT VERTICAL PLATE \bar{C} FOR PLACEMENT OF LEFT ARROW.



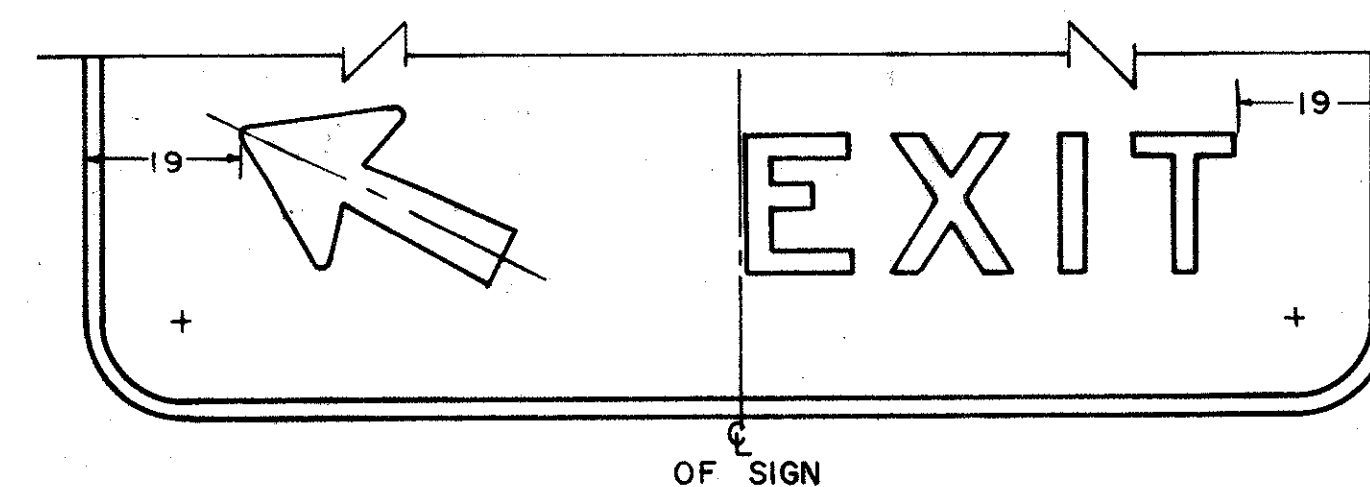
N-12-96
(* LEFT OR RIGHT)

NOTES:
* ROTATE GIVEN DESIGN 180° ABOUT VERTICAL PLATE \bar{C} FOR PLACEMENT OF LEFT ARROW.



N-12-150

NOTES:
WHEN ONLY ONE MARKER IS REQUIRED IT SHALL BE PLACED ON THE VERTICAL CENTER LINE OF THE SIGN.
WHEN TWO MARKERS ARE REQUIRED THEY SHALL BE PLACED ON THE CENTER LINES DESIGNATED 2.
WHEN THREE MARKERS ARE REQUIRED THEY SHALL BE PLACED ON THE CENTER LINES DESIGNATED 3.



MODIFICATION ONE
VERTICAL DIMENSIONS, LETTER SIZE AND SERIES NOT SHOWN ABOVE, SHALL BE TAKEN FROM THE REGULAR N-12-150 DESIGN ON THIS SHEET.

ALL DIMENSIONS ARE IN INCHES UNLESS OTHERWISE SHOWN.

BUREAU OF TRAFFIC
OHIO DEPARTMENT OF HIGHWAYS

TRAFFIC
SIGNS

N-12

DATE
10-18-61
11-14-63

APPROVED *Robert E. Town*
ENGINEER OF TRAFFIC