

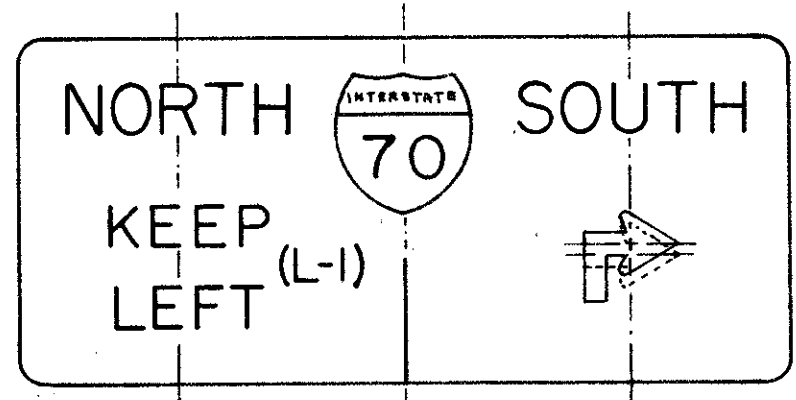
L-1
KEEP LEFT

L-2
LEFT LANE

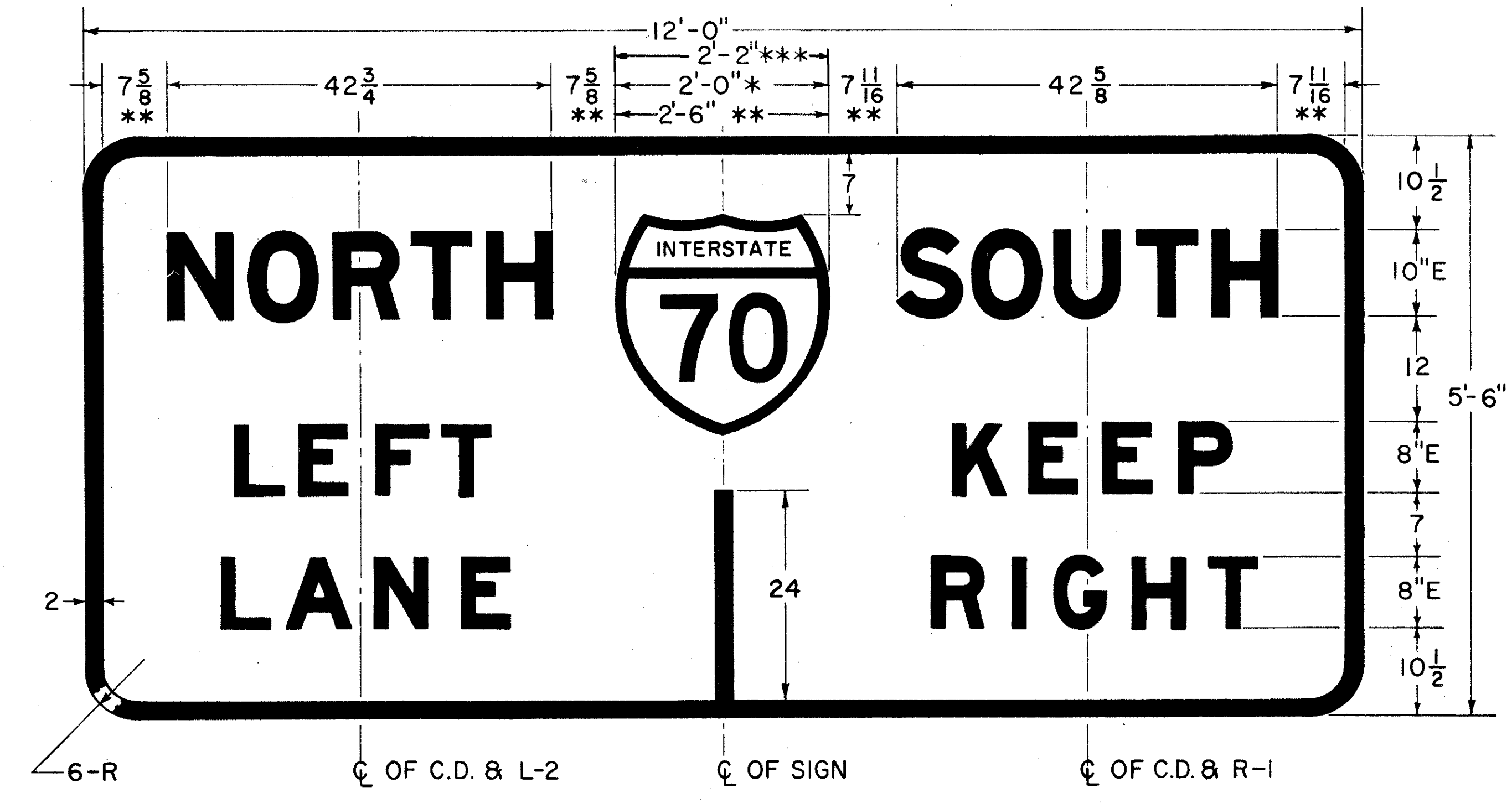
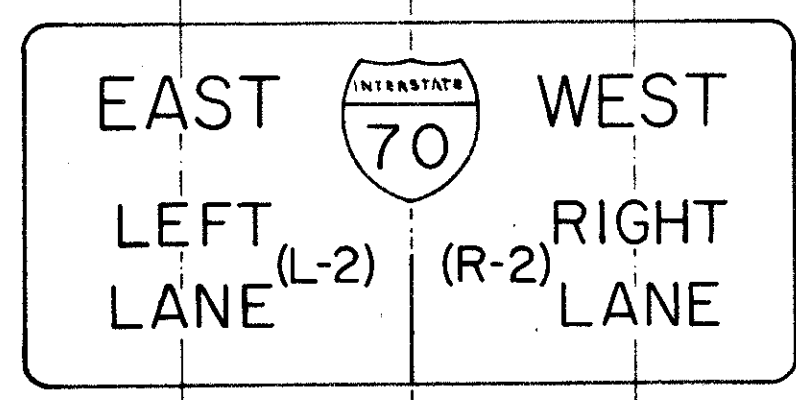
R-1
KEEP RIGHT

R-2
RIGHT LANE

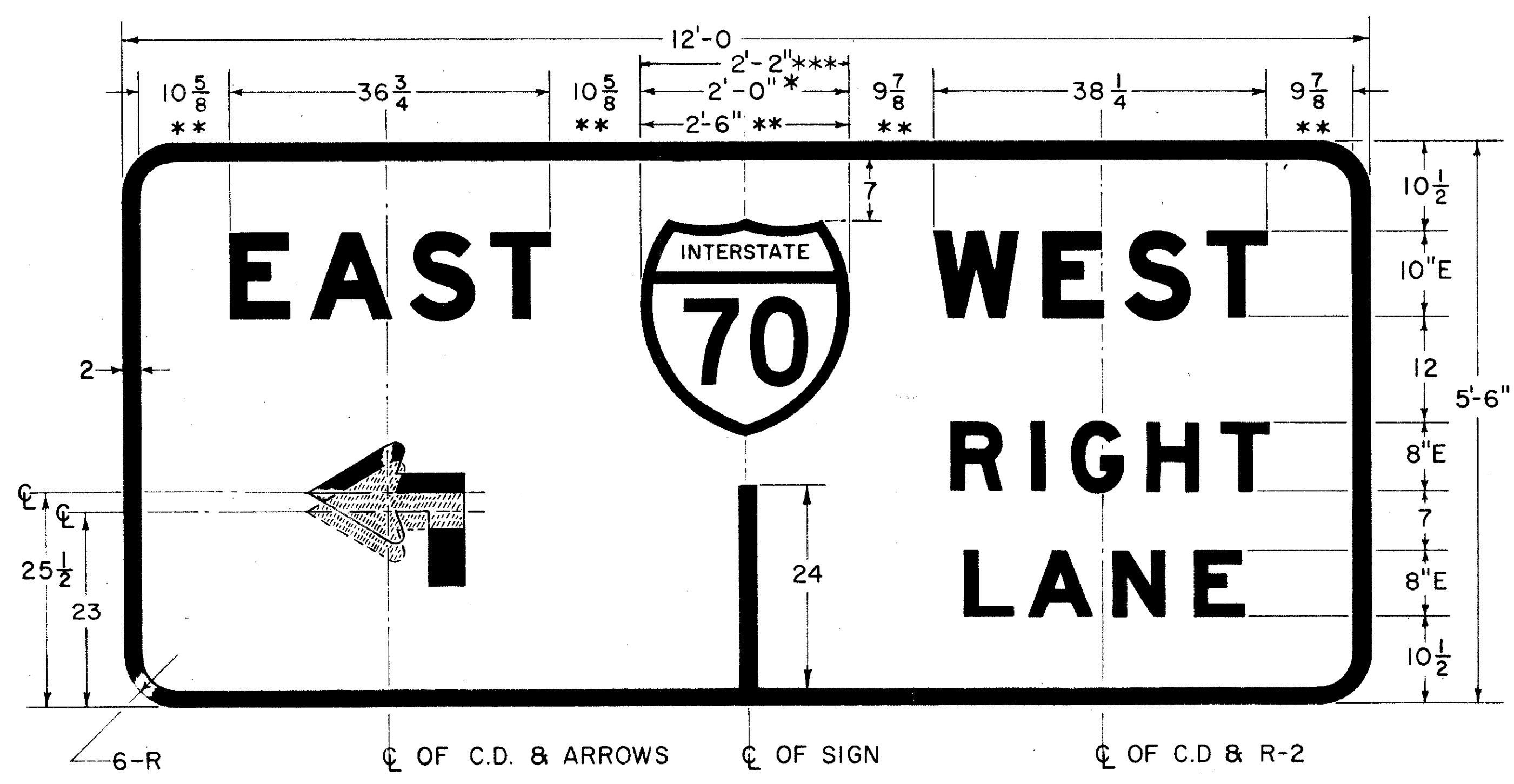
TYPICAL SIGN



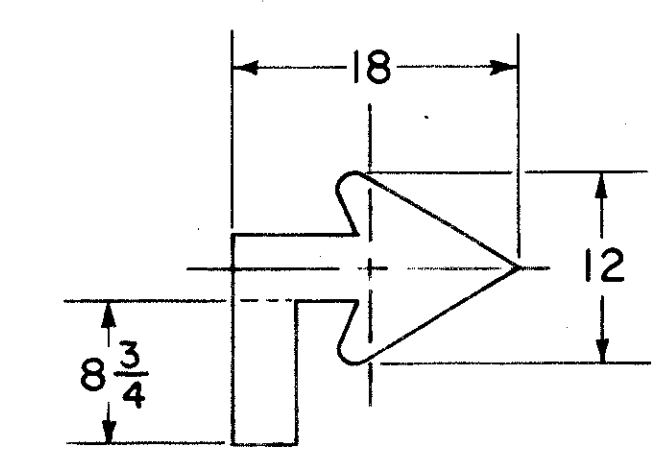
TYPICAL SIGN



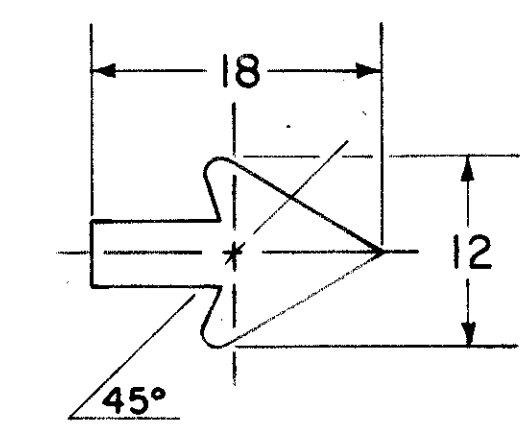
D-3B-24-0



* U.S. MARKER OR OHIO MARKER MAY BE USED IN PLACE OF INTERSTATE MARKER SHOWN.



DIMENSIONS FOR 12"x18" ARROW WITH 8 3/4" EXTENSION. USED ON ADVANCE TURN GUIDE SIGNS.



12"x18" ARROW ROTATED ABOUT C FOR USE IN SLANTED AND VERTICAL POSITIONS PLUS THE HORIZONTAL, SHOWN.

INTERSTATE & U.S. 3 DIGIT MARKERS	OHIO 3 DIGIT MARKER
SPACING LEFT & RIGHT	CARDINAL DIRECTION
**6.12	NORTH
**6.18	SOUTH
**9.12	EAST
**8.37	WEST

	N	O	R	T	H	TOTAL				
10"E	7.37	1.75	7.62	1.75	7.37	1.12	6.75	1.62	7.37	42 3/4
	S	O	U	T	H	TOTAL				
10"E	7.37	1.12	7.62	1.75	7.37	1.62	6.75	1.62	7.37	42 5/8
	E	A	S	T	TOTAL					
10"E	6.75	2.50	9.00	2.37	7.37	2.00	6.75	36 3/4		
	W	E	S	T	TOTAL					
10"E	9.37	3.37	6.75	2.62	7.37	2.00	6.75	38 1/4		
	K	E	E	P	TOTAL					
8"E	6.00	2.50	5.50	2.87	5.50	2.87	5.87	31 1/8		
	L	A	N	E	TOTAL					
8"E	5.50	1.62	7.25	2.75	5.87	3.62	5.50	32 1/8		
	L	E	F	T	TOTAL					
8"E	5.50	2.50	5.50	2.87	5.50	1.50	5.50	28 7/8		
	R	I	G	H	T	TOTAL				
8"E	5.87	2.75	1.75	2.75	5.87	2.87	6.00	2.50	5.50	35 7/8

NOTE: ALL DIMENSIONS ARE IN INCHES UNLESS OTHERWISE SHOWN.

BUREAU OF TRAFFIC
OHIO DEPARTMENT OF HIGHWAYS

TRAFFIC SIGNS

DATE 12-11-64
2-14-66

APPROVED *Fred C. Darlop*
ENGINEER OF TRAFFIC